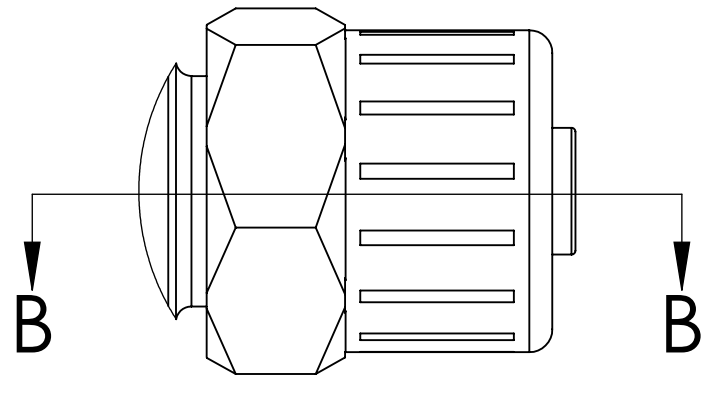
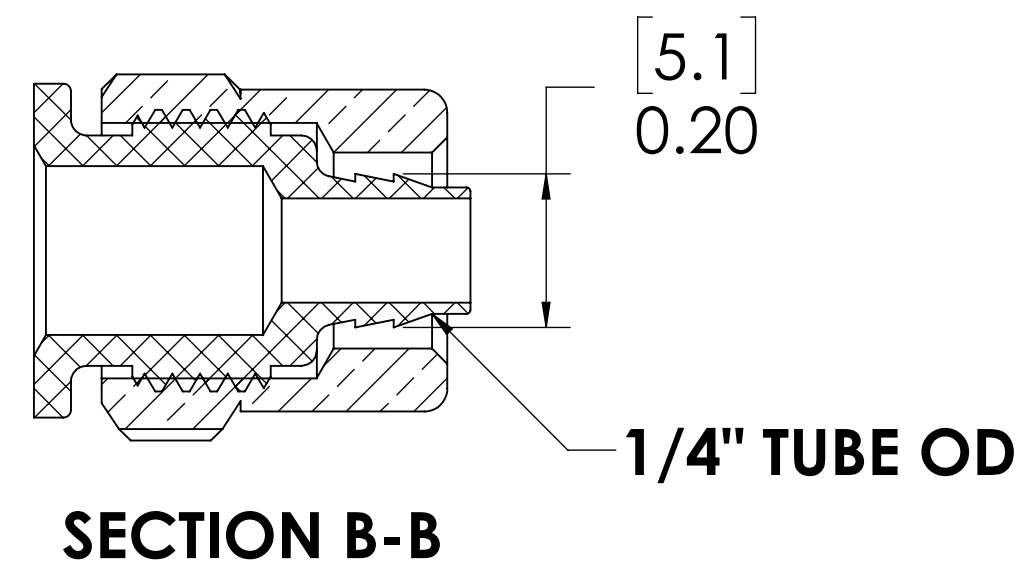


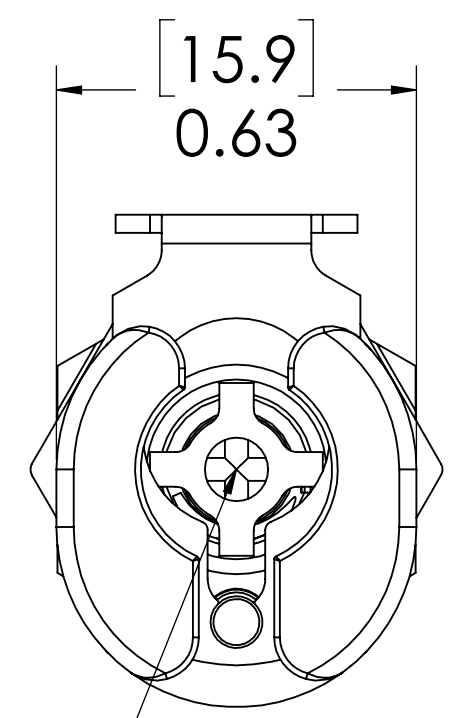
| REVISIONS | | | | | | |
|-----------|------|------|-------|--|------------|----------|
| SHEET | ZONE | REV. | ECO | DESCRIPTION | DATE | APPROVED |
| 1 | ALL | A | 50253 | UPDATE DWG TO CURRENT FORMAT & STANDARDS | 10/30/2018 | HRC |



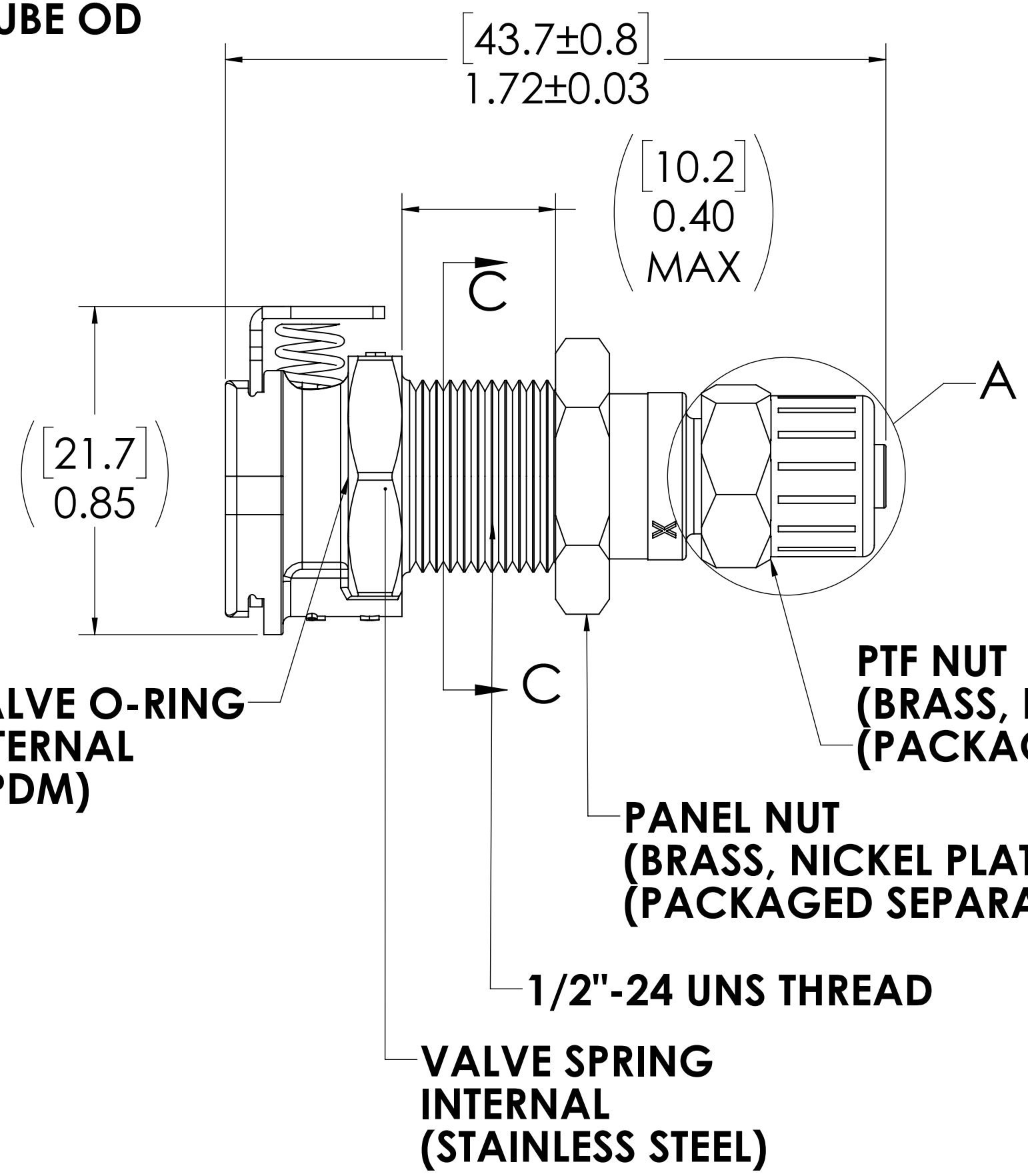
DETAIL A



SECTION B-B



VALVE (POLYPROPYLENE)



VALVE O-RING INTERNAL (EPDM)

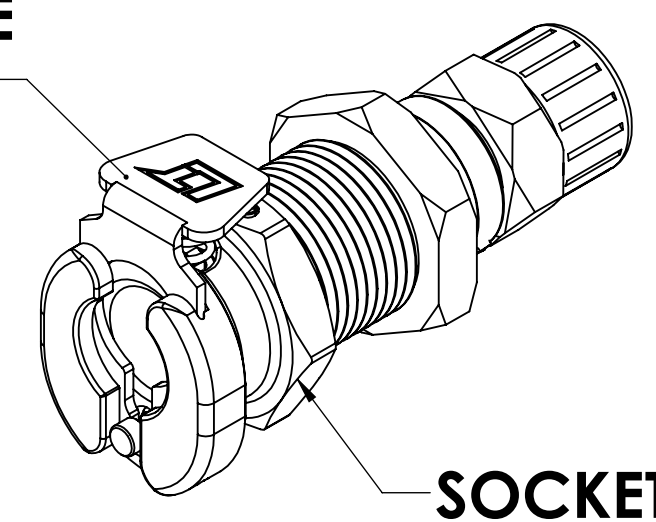
VALVE SPRING INTERNAL (STAINLESS STEEL)

PTF NUT (BRASS, NICKEL PLATED) (PACKAGED SEPARATELY)

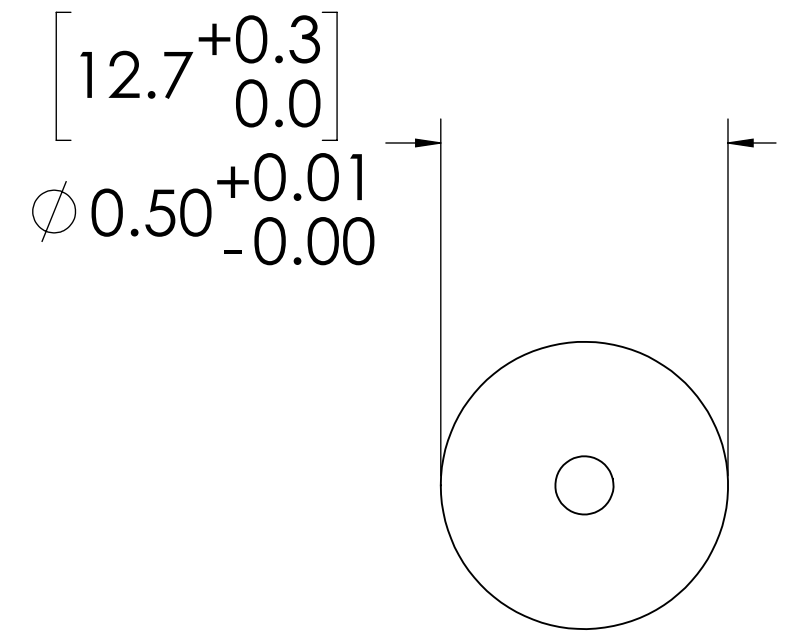
PANEL NUT (BRASS, NICKEL PLATED) (PACKAGED SEPARATELY)

1/2"-24 UNS THREAD

LATCH HARDWARE (STAINLESS STEEL)



SOCKET (POLYPROPYLENE)



PANEL OPENING (SECTION C-C)

- NOTES:**
- MATERIAL: POLYPROPYLENE
 - COLOR: GREY
 - O-RING MATERIAL: EPDM
 - O-RINGS LUBRICATED WITH FOOD GRADE SILICONE OIL, 350 CST.

FOR REFERENCE ONLY

| | | | | |
|---|-----------|----------|--------------|--|
| <small>UNLESS OTHERWISE SPECIFIED: DIMENSIONS ARE IN INCHES TOLERANCES: FRACTIONAL ±1/32 ANGULAR: MACH ±0.5 BEND ±2 ONE PLACE DECIMAL ±0.1 TWO PLACE DECIMAL ±0.01 THREE PLACE DECIMAL ±0.005 TWO PLACE DUAL (mm) [±0.12]</small> | DRAWN | LMP | 6/7/2018 | |
| | CHECKED | HRC | 6/7/2018 | |
| | ENG APPR. | HRC | 10/30/18 | |
| | MFG APPR. | BDB | 10/30/18 | |
| PRODUCTION | LS | 10/30/18 | | PART NO: 20PPV-SE8-04 DESCRIPTION: LinkTech 20PP Series, Panel Mt. Socket, Valved, 1/4" PTF, Polypropylene |
| <small>PROPRIETARY AND CONFIDENTIAL THE INFORMATION CONTAINED IN THIS DRAWING IS THE SOLE PROPERTY OF LINKTECH LLC. ANY REPRODUCTION OR DISCLOSURE IN PART OR AS A WHOLE WITHOUT THE WRITTEN PERMISSION OF LINKTECH LLC IS STRICTLY PROHIBITED.</small> | | | | SIZE DWG. NO. REV C 20PP200084 A |
| SCALE: NTS WEIGHT: | | | SHEET 1 OF 1 | |