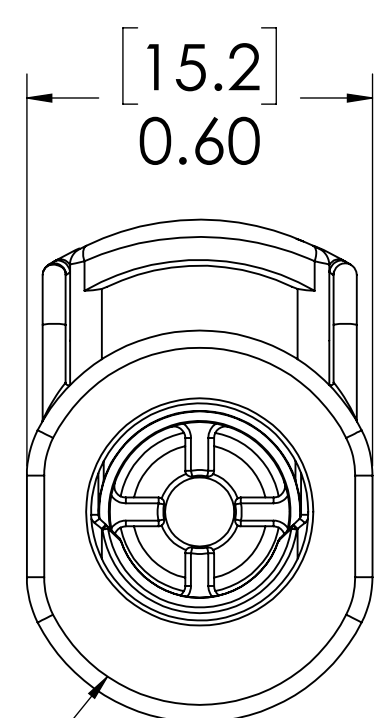
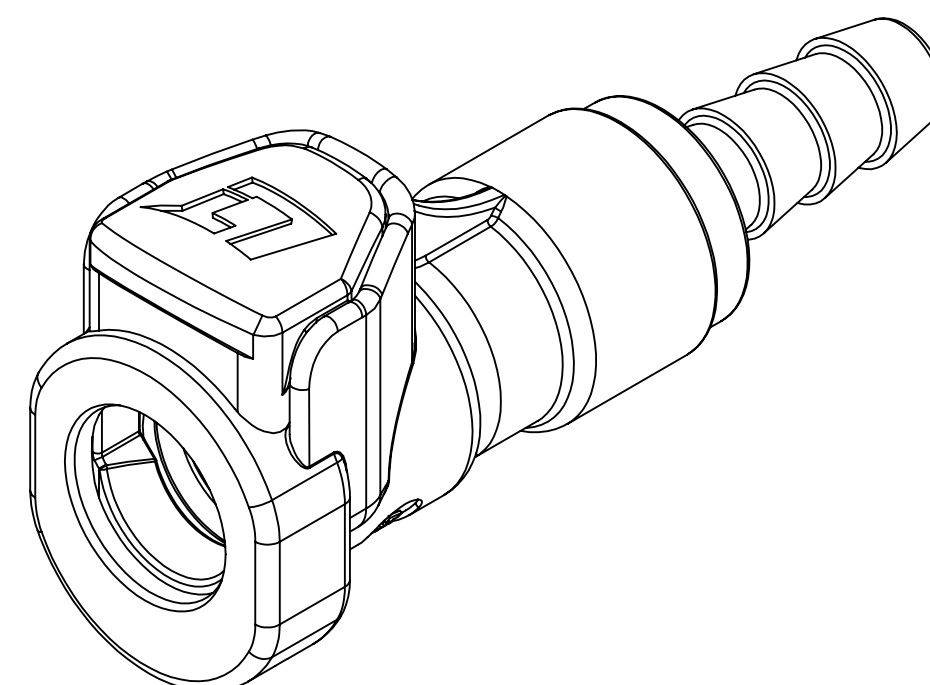
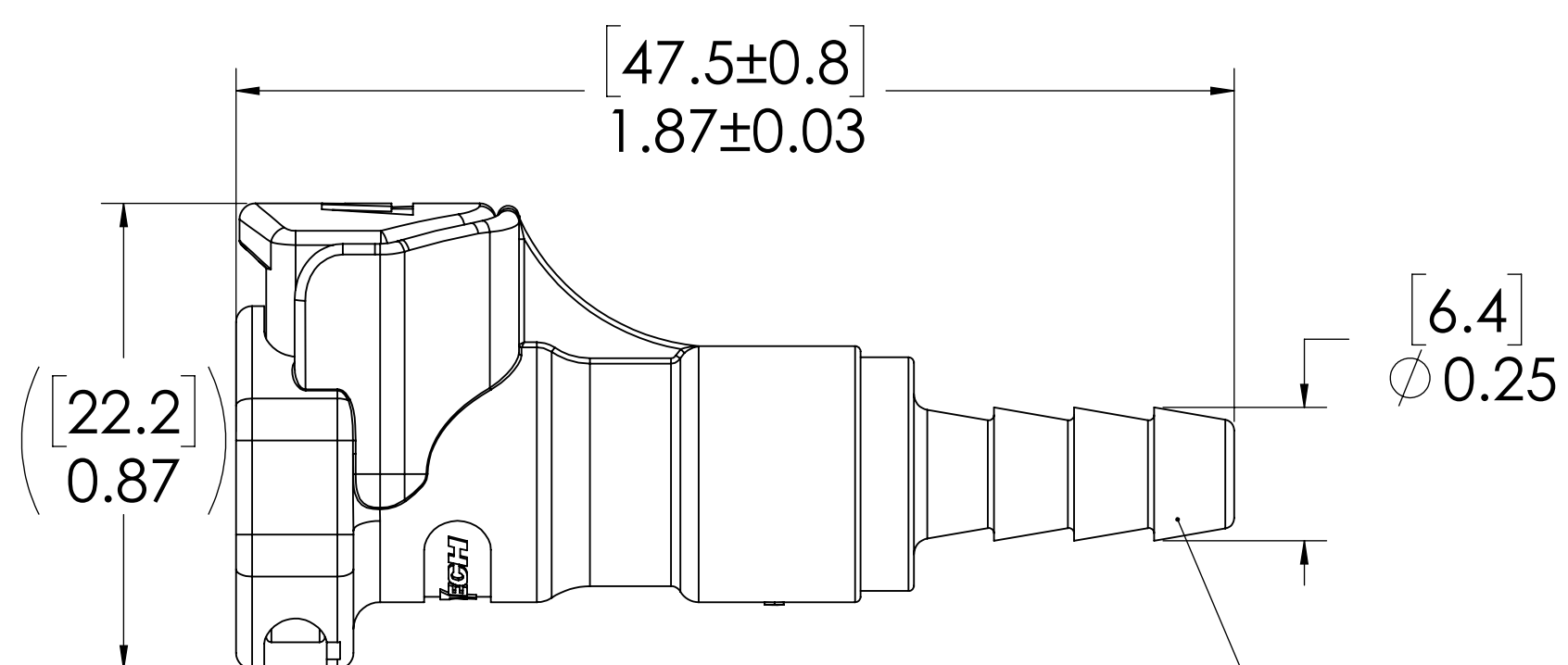


REVISIONS						
SHEET	ZONE	REV.	ECO	DESCRIPTION	DATE	APPROVED
ALL	ALL	A	50253	FORMAT UPDATE	3/29/2019	HRC




**SOCKET,  
(ACETAL)**



**3/16" TUBE ID**

**FOR REFERENCE ONLY**

- NOTES:**
- MATERIAL: ACETAL
  - COLOR: NATURAL WHITE

<small>UNLESS OTHERWISE SPECIFIED: DIMENSIONS ARE IN INCHES TOLERANCES: FRACTIONAL ± 1/32 ANGULAR: MACH ± 0.5 BEND ± 2 ONE PLACE DECIMAL ± 0.1 TWO PLACE DECIMAL ± 0.01 THREE PLACE DECIMAL ± 0.005 TWO PLACE DUAL (mm) [± 0.12]</small>	DRAWN	RDA	3/19/2019	 <b>PART NO: 30AC-S2-03</b>	
	CHECKED	HRC	3/19/2019		
	ENG APPR.	HRC	3/29/19	<b>DESCRIPTION:</b> <b>LinkTech 30AC Series Straight Female, Non-valved, 316 HB, Natural Acetal</b>	
	MFG APPR.	BDB	3/29/19		
<small>PROPRIETARY AND CONFIDENTIAL THE INFORMATION CONTAINED IN THIS DRAWING IS THE SOLE PROPERTY OF LINKTECH LLC. ANY REPRODUCTION OR DISCLOSURE IN PART OR AS A WHOLE WITHOUT THE WRITTEN PERMISSION OF LINKTECH LLC IS STRICTLY PROHIBITED.</small>	PRODUCTION	LS	3/29/19	<b>SIZE</b> DWG. NO. REV <b>C</b> 30AC300059 <b>A</b>	
COMMENTS:			SCALE: NTS	WEIGHT:	SHEET 1 OF 1