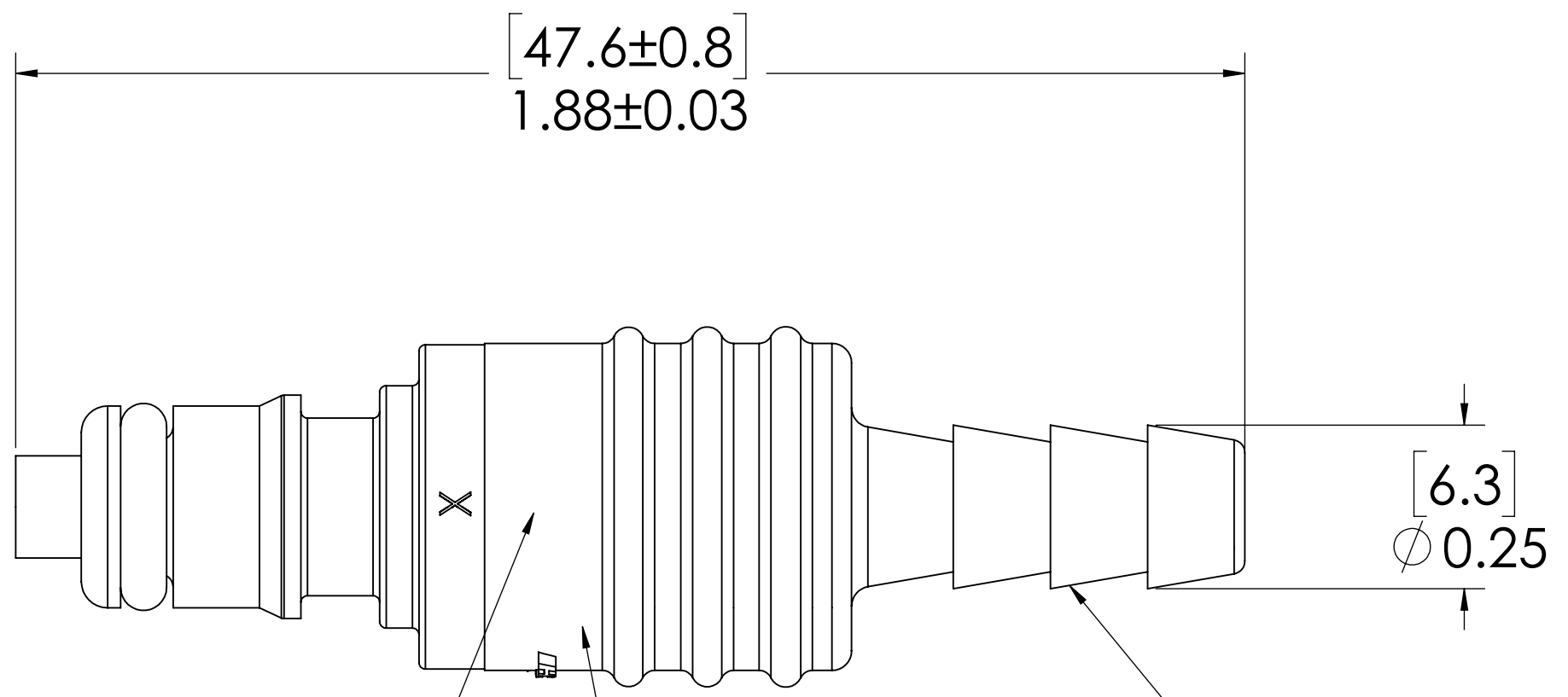
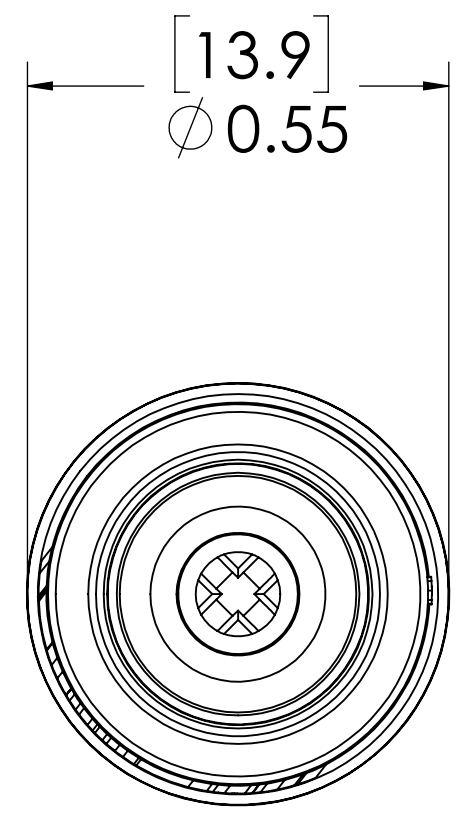
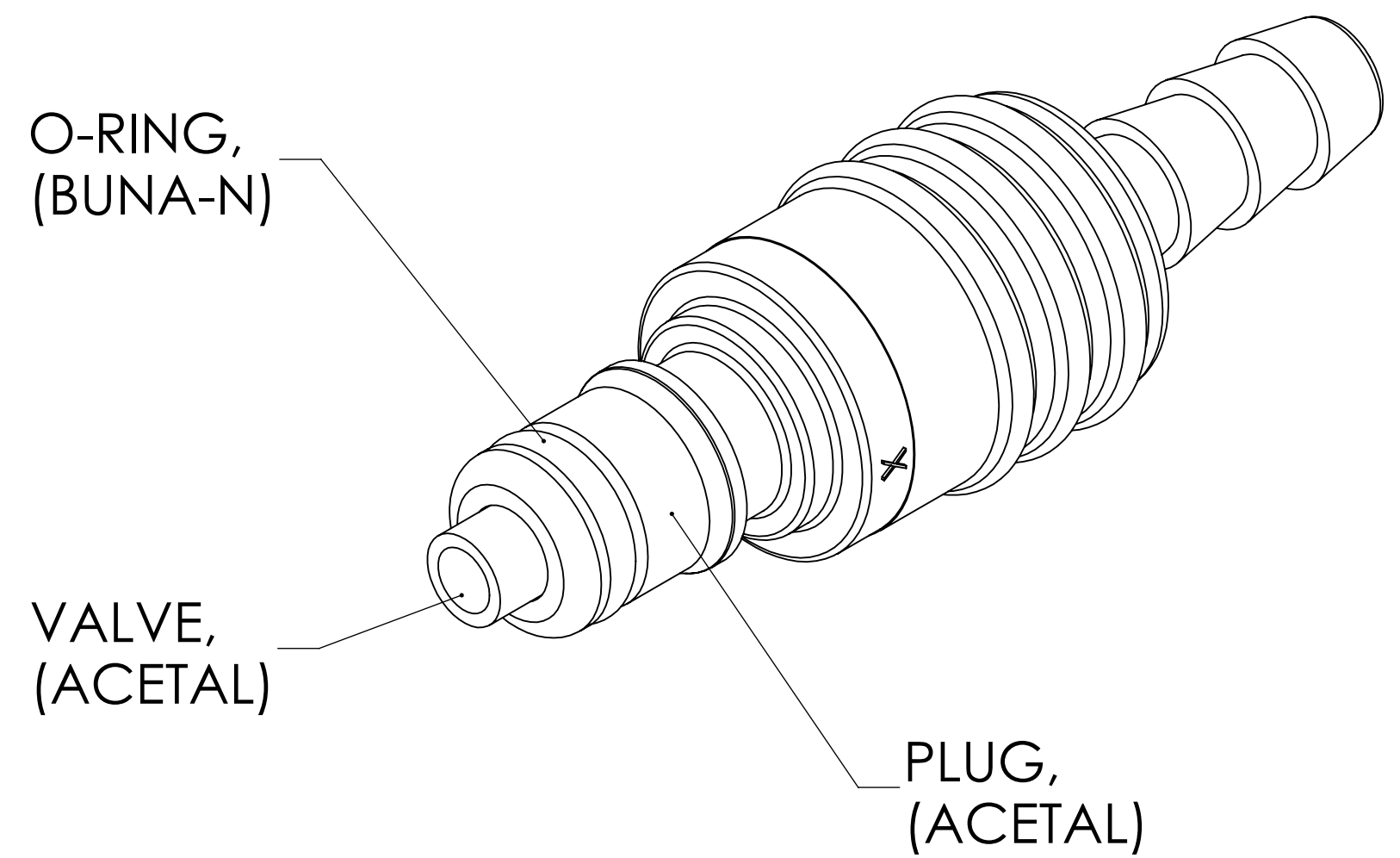


| REVISIONS | | | | | | |
|-----------|------|------|-------|------------------------------------------|-----------|----------|
| SHEET | ZONE | REV. | ECO | DESCRIPTION | DATE | APPROVED |
| 1 | ALL | A | 50243 | UPDATE DGW TO CURRENT FORMAT & STANDARDS | 8/31/2017 | HRC |



VALVE O-RING,
INTERNAL
(BUNA-N)

VALVE SPRING,
INTERNAL
(STAINLESS STEEL)

3/16" TUBE ID

NOTES:

1. MATERIAL: ACETAL
2. COLOR: NATURAL WHITE
3. O-RING MATERIAL: BUNA-N
4. O-RINGS LUBRICATED WITH FOOD GRADE SILICONE OIL, 350 CST.

FOR REFERENCE ONLY

| | | | | |
|-------------------------------------------------------------------------------------------------------------------------------------------------------------------------------------------------------------------------------------------------------------------|-----------|-----------------------------------|----------|----------------------------------------------------------------------------------------------------------------------------------------|
| <small>UNLESS OTHERWISE SPECIFIED: DIMENSIONS ARE IN INCHES TOLERANCES: FRACTIONAL ±1/32 ANGULAR, MACH ±0.5 BEND ±2 ONE PLACE DECIMAL ±0.1 TWO PLACE DECIMAL ±0.01 THREE PLACE DECIMAL ±0.005 TWO PLACE DUAL (mm) [±0.12]</small> | DRAWN | RDA | 3/9/2017 | |
| | CHECKED | HRC | 3/9/2017 | |
| | ENG APPR. | HRC | 8/31/17 | |
| | MFG APPR. | BDB | 8/31/17 | |
| <small>PROPRIETARY AND CONFIDENTIAL THE INFORMATION CONTAINED IN THIS DRAWING IS THE SOLE PROPERTY OF LINKTECH LLC. ANY REPRODUCTION OR DISCLOSURE IN PART OR AS A WHOLE WITHOUT THE WRITTEN PERMISSION OF LINKTECH LLC IS STRICTLY PROHIBITED.</small> | Q.A. | JJB | 8/31/17 | PART NO: 30ACV-PB2-03 DESCRIPTION: LinkTech 30AC Series Straight Male, Valved, 3/16" HB, Natural Acetal |
| <small>SIZE DWG. NO. REV</small> C 30AC300094 A | | <small>SCALE: NTS WEIGHT:</small> | | <small>SHEET 1 OF 1</small> |