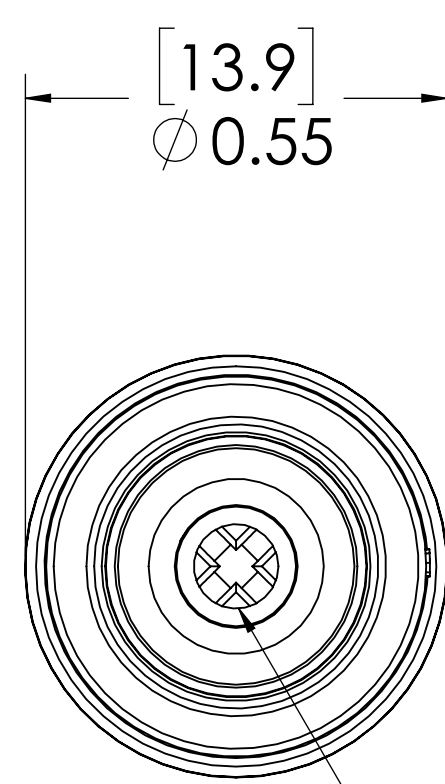
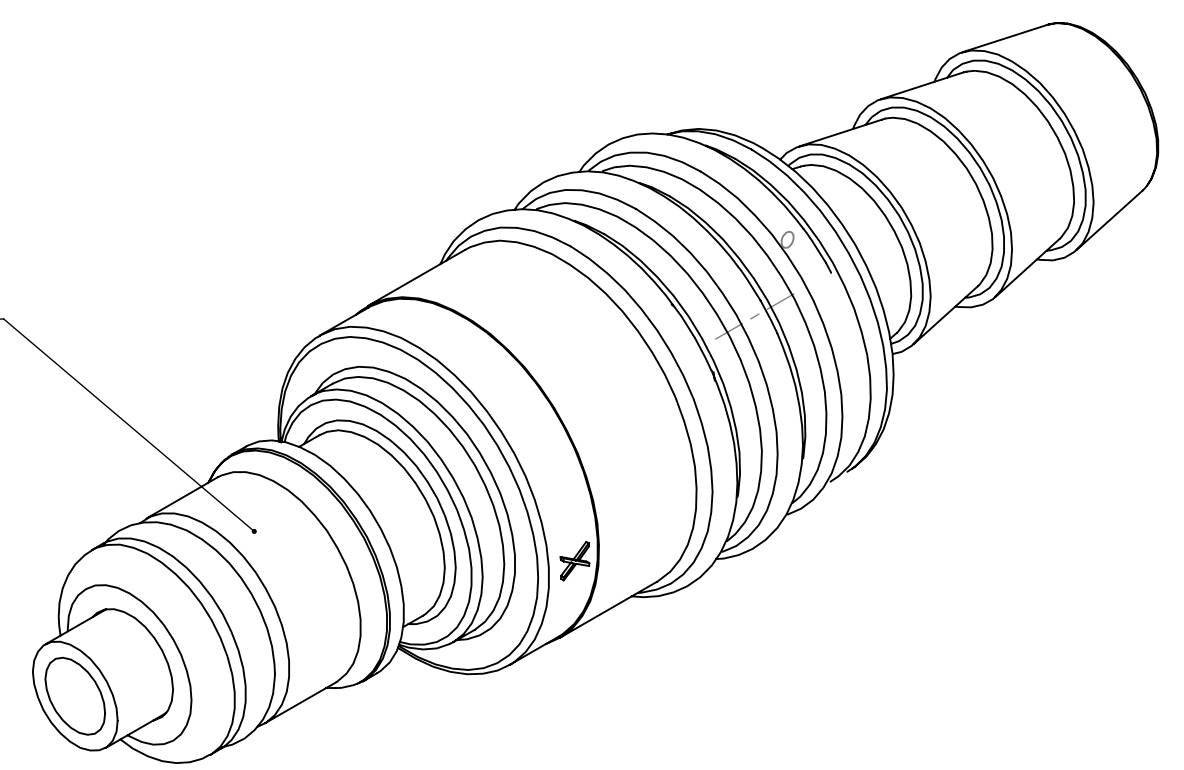


REVISIONS						
SHEET	ZONE	REV.	ECO	DESCRIPTION	DATE	APPROVED
1	ALL	A	50253	INITIAL RELEASE	4/3/2018	HRC

PLUG,
(ACETAL)



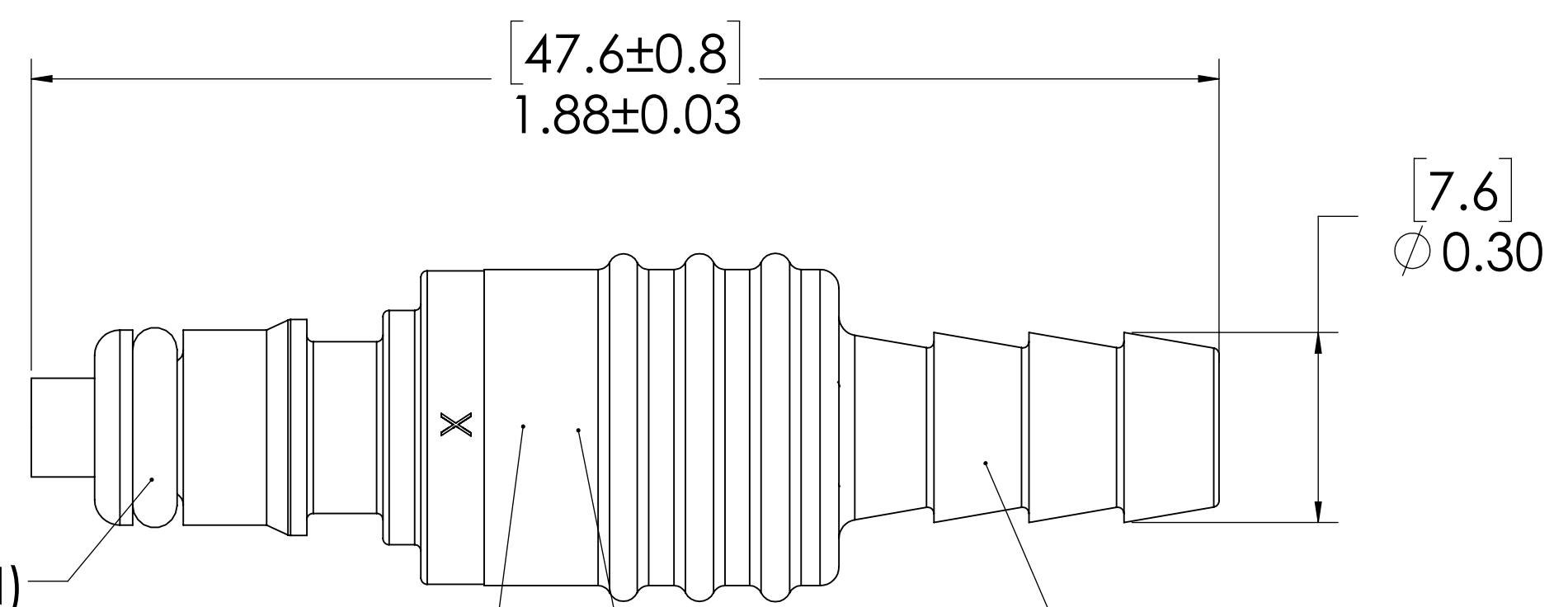
VALVE,
(ACETAL)

O-RING,
(BUNA-N)

VALVE SPRING,
INTERNAL
(STAINLESS STEEL)

VALVE O-RING,
INTERNAL
(BUNA-N)

1/4" TUBE ID



- NOTES:**
- MATERIAL: ACETAL
 - COLOR: NATURAL
 - O-RING MATERIAL: BUNA-N
 - O-RINGS LUBRICATED WITH FOOD GRADE SILICONE OIL, 350 CST.

FOR REFERENCE ONLY

<small>UNLESS OTHERWISE SPECIFIED: DIMENSIONS ARE IN INCHES TOLERANCES: FRACTIONAL ± 1/32 ANGULAR, MACH ± 0.5 BEND ± 2 ONE PLACE DECIMAL ± 0.1 TWO PLACE DECIMAL ± 0.01 THREE PLACE DECIMAL ± 0.005 TWO PLACE DUAL (mm) [± 0.12]</small>	DRAWN	CGS	3/21/18	
	CHECKED	HRC	3/21/18	
	ENG APPR.	HRC	04-03-18	
	MFG APPR.	BDB	04-03-18	
<small>PROPRIETARY AND CONFIDENTIAL THE INFORMATION CONTAINED IN THIS DRAWING IS THE SOLE PROPERTY OF LINKTECH LLC. ANY REPRODUCTION OR DISCLOSURE IN PART OR AS A WHOLE WITHOUT THE WRITTEN PERMISSION OF LINKTECH LLC IS STRICTLY PROHIBITED.</small>	PURCHASING	RK	04-03-18	PART NO: 30ACV-PB2-04 DESCRIPTION: LinkTech 30AC Series Straight Male, Valved, 1/4" HB, Natural Acetal
<small>SIZE DWG. NO. REV</small> C 30AC300110 A		<small>SCALE: NTS WEIGHT: SHEET 1 OF 1</small>		