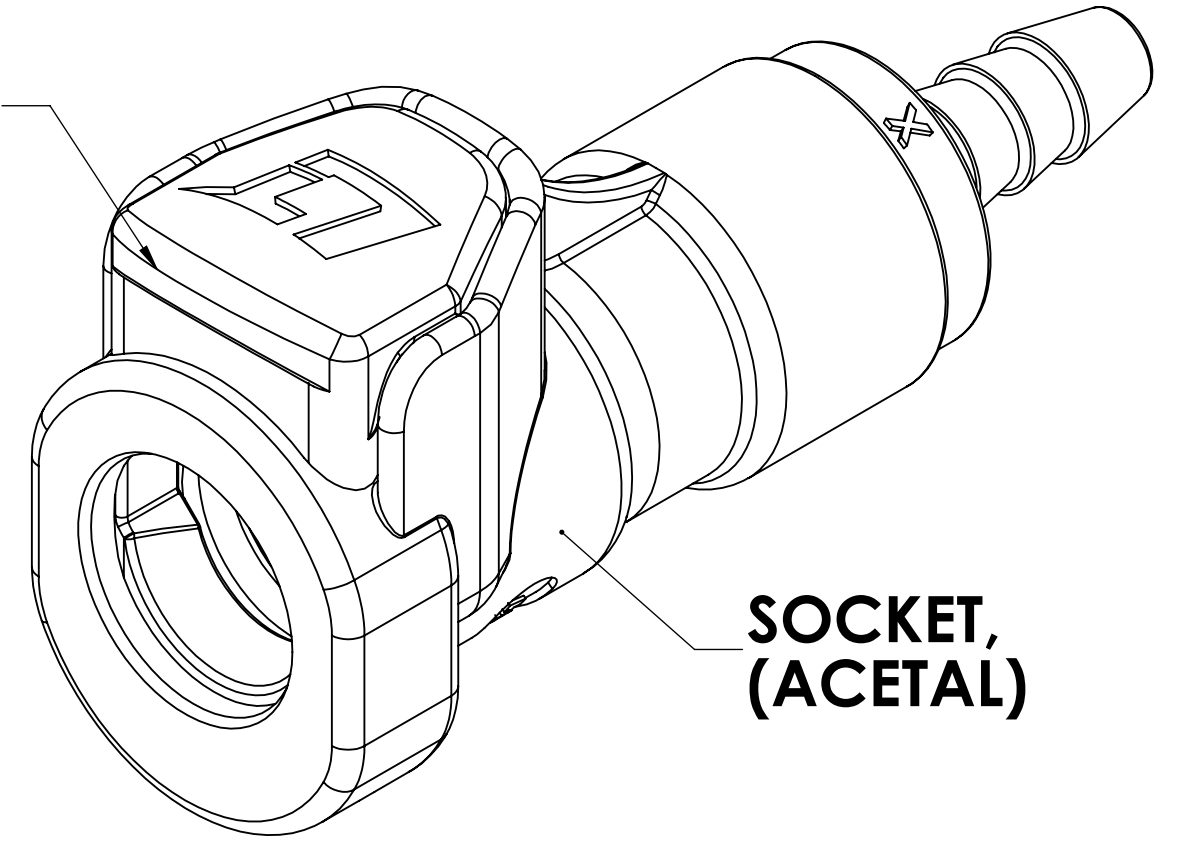


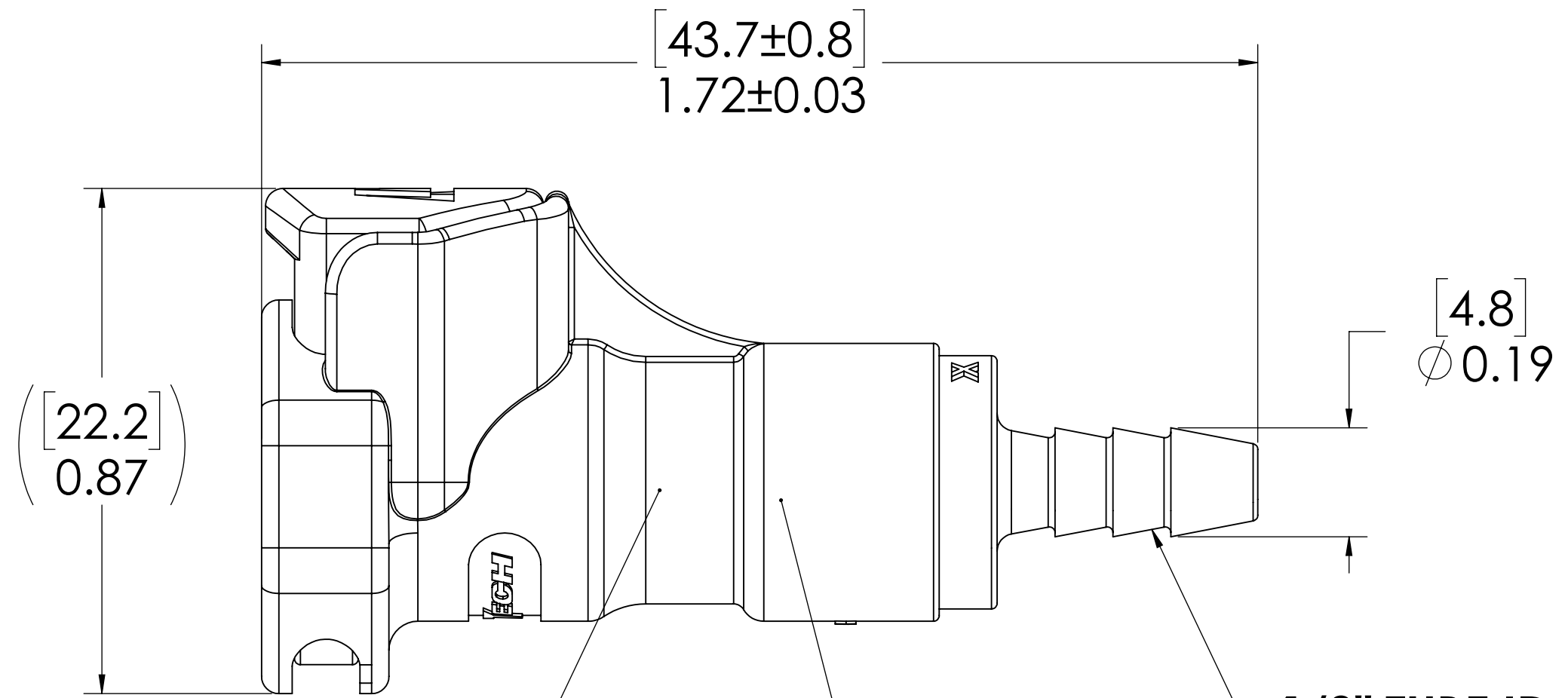
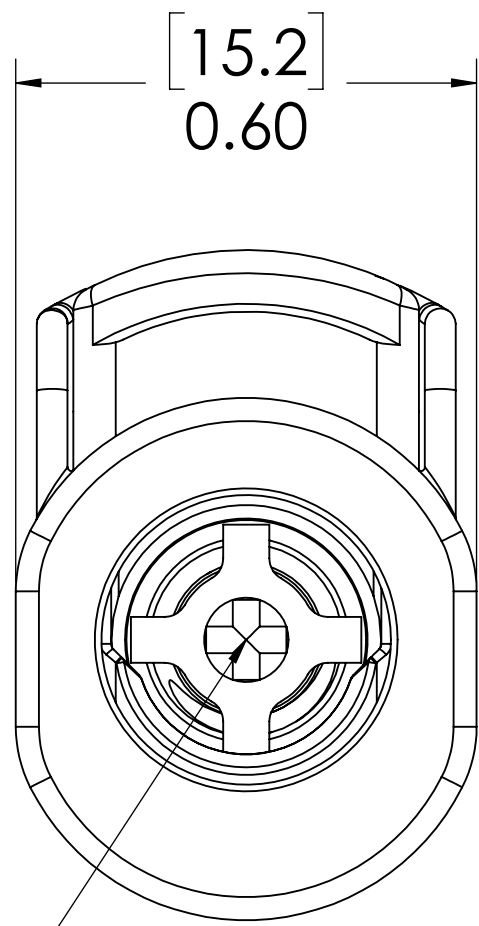
REVISIONS						
SHEET	ZONE	REV.	ECO	DESCRIPTION	DATE	APPROVED
1	ALL	NC	50225	INITIAL RELEASE	3/1/2017	HRC
1	ALL	A	50253	UPDATE FORMAT AND NOTES	11/7/2018	HRC

**LATCH,  
(ACETAL)**

**SOCKET,  
(ACETAL)**



**VALVE,  
(ACETAL)**



**VALVE SPRING,  
INTERNAL  
(STAINLESS STEEL)**

**VALVE O-RING,  
INTERNAL  
(BUNA-N)**

**1/8" TUBE ID**

**NOTES:**

- MATERIAL: ACETAL
- COLOR: WHITE/GREY
- O-RING MATERIAL: BUNA-N.
- O-RINGS LUBRICATED WITH FOOD GRADE SILICONE OIL, 350 CST.

**FOR REFERENCE ONLY**

<small>UNLESS OTHERWISE SPECIFIED: DIMENSIONS ARE IN INCHES TOLERANCES: FRACTIONAL ±1/32 ANGULAR, MACH: ±0.5 BEND ±2 ONE PLACE DECIMAL ±0.1 TWO PLACE DECIMAL ±0.01 THREE PLACE DECIMAL ±0.005 TWO PLACE DUAL (mm) [±0.12]</small>	DRAWN	HRC	03-07-16	
	CHECKED	HRC	03-07-16	
	ENG APPR.	HRC	11/7/18	
	MFG APPR.	BDB	11/7/18	
PRODUCTION	LS	11/7/18		<b>PART NO:</b> 30ACV-SB2-02 <b>DESCRIPTION:</b> LinkTech 30AC Series, Inline Socket, Valved, 1/8" HB, Natural Acetal
<small>PROPRIETARY AND CONFIDENTIAL THE INFORMATION CONTAINED IN THIS DRAWING IS THE SOLE PROPERTY OF LINKTECH LLC. ANY REPRODUCTION OR DISCLOSURE IN PART OR AS A WHOLE WITHOUT THE WRITTEN PERMISSION OF LINKTECH LLC IS STRICTLY PROHIBITED.</small>	COMMENTS:			<b>SIZE DWG. NO.</b> <b>C 30AC300062</b>
				<b>REV</b> <b>A</b>
				<b>SCALE:</b> NTS <b>WEIGHT:</b> <b>SHEET 1 OF 1</b>