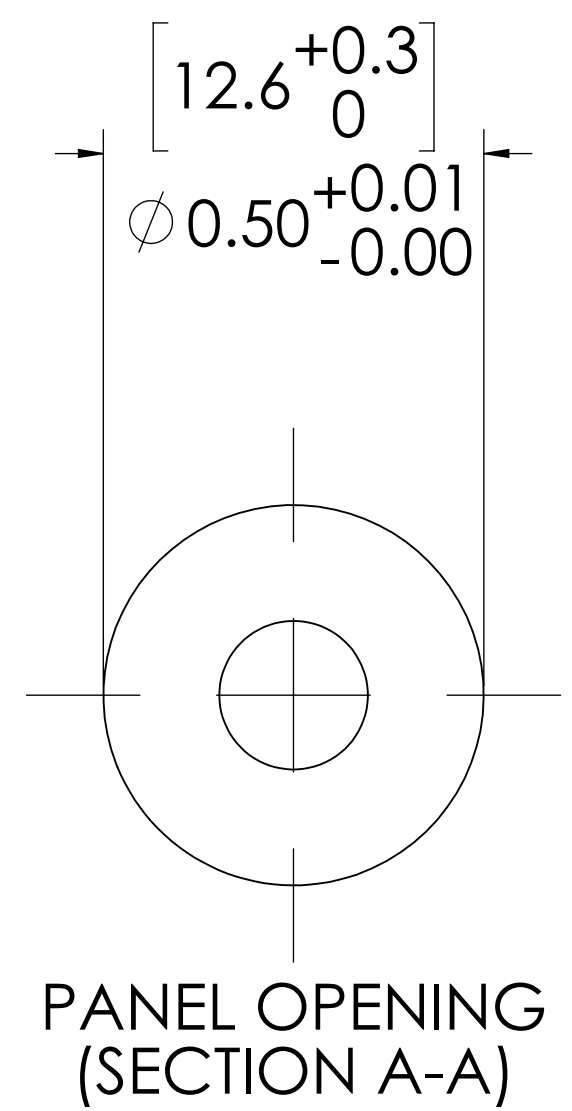
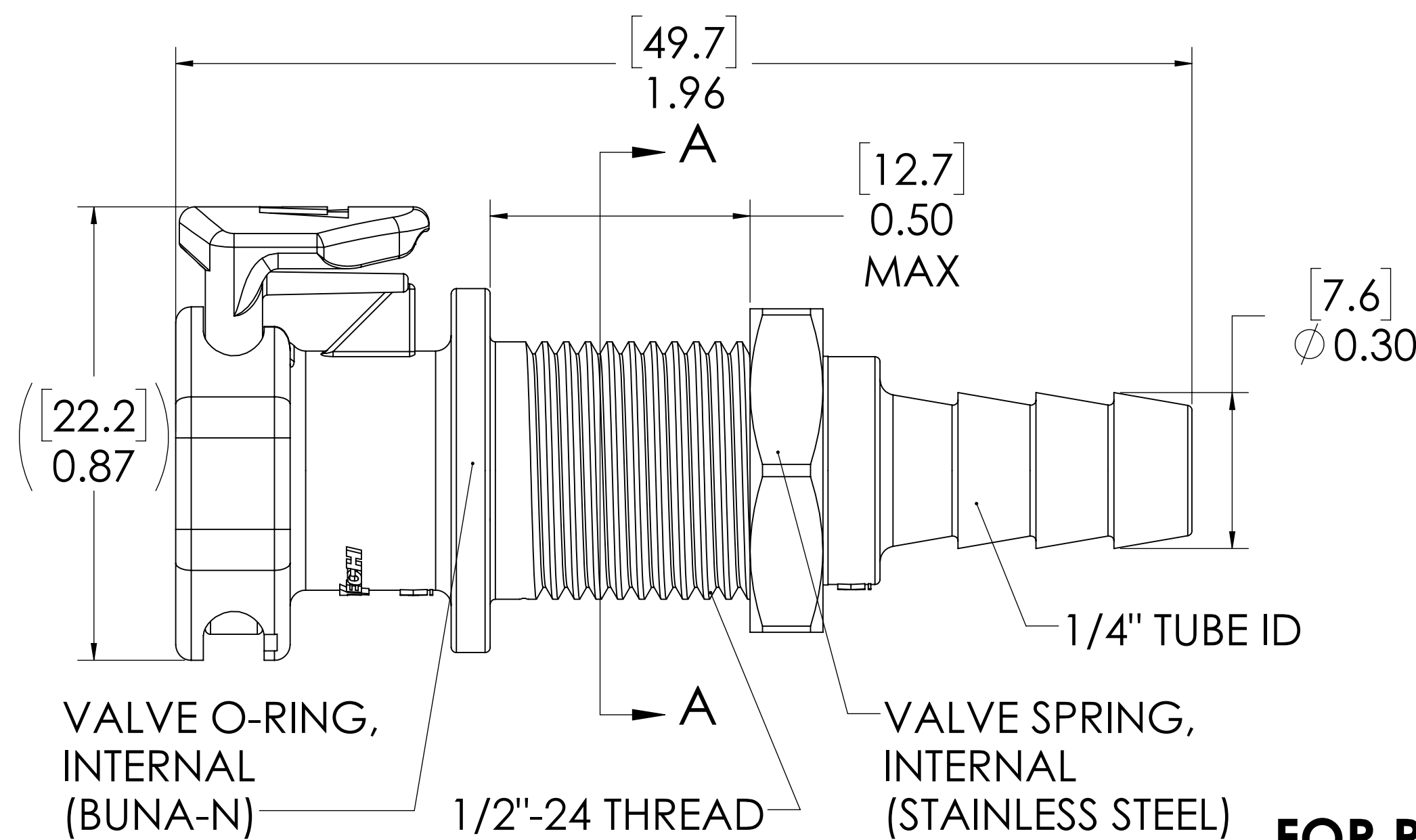
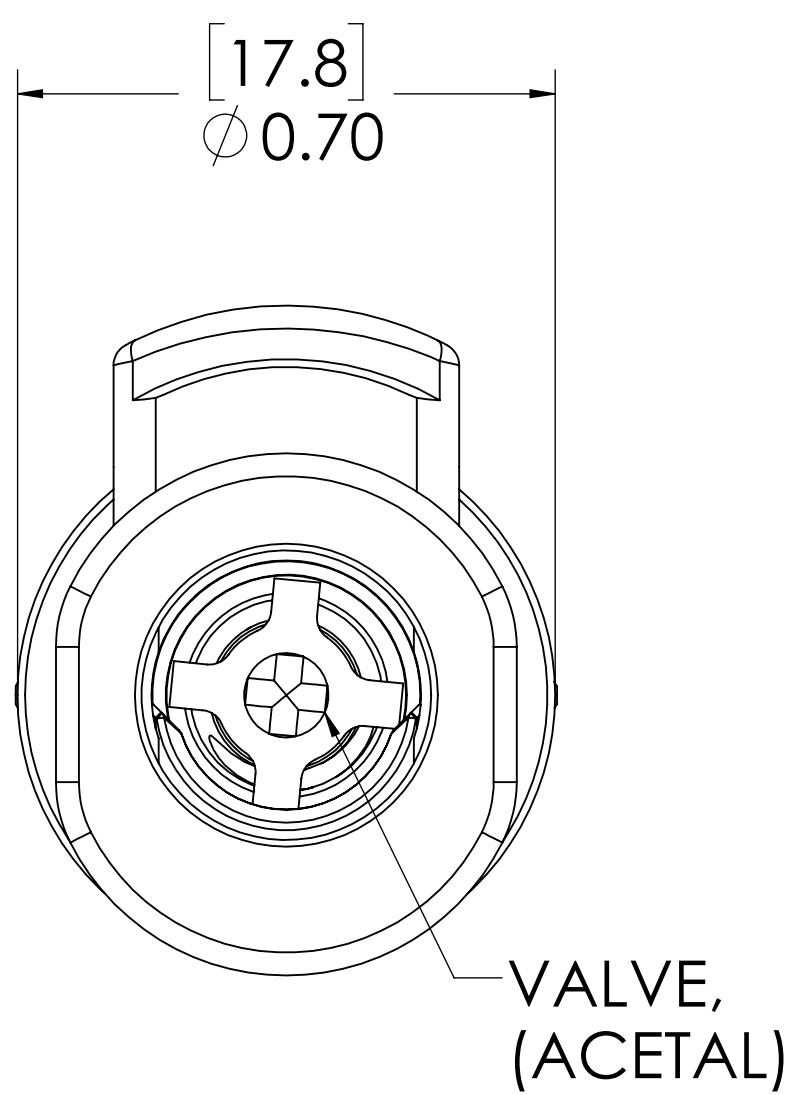
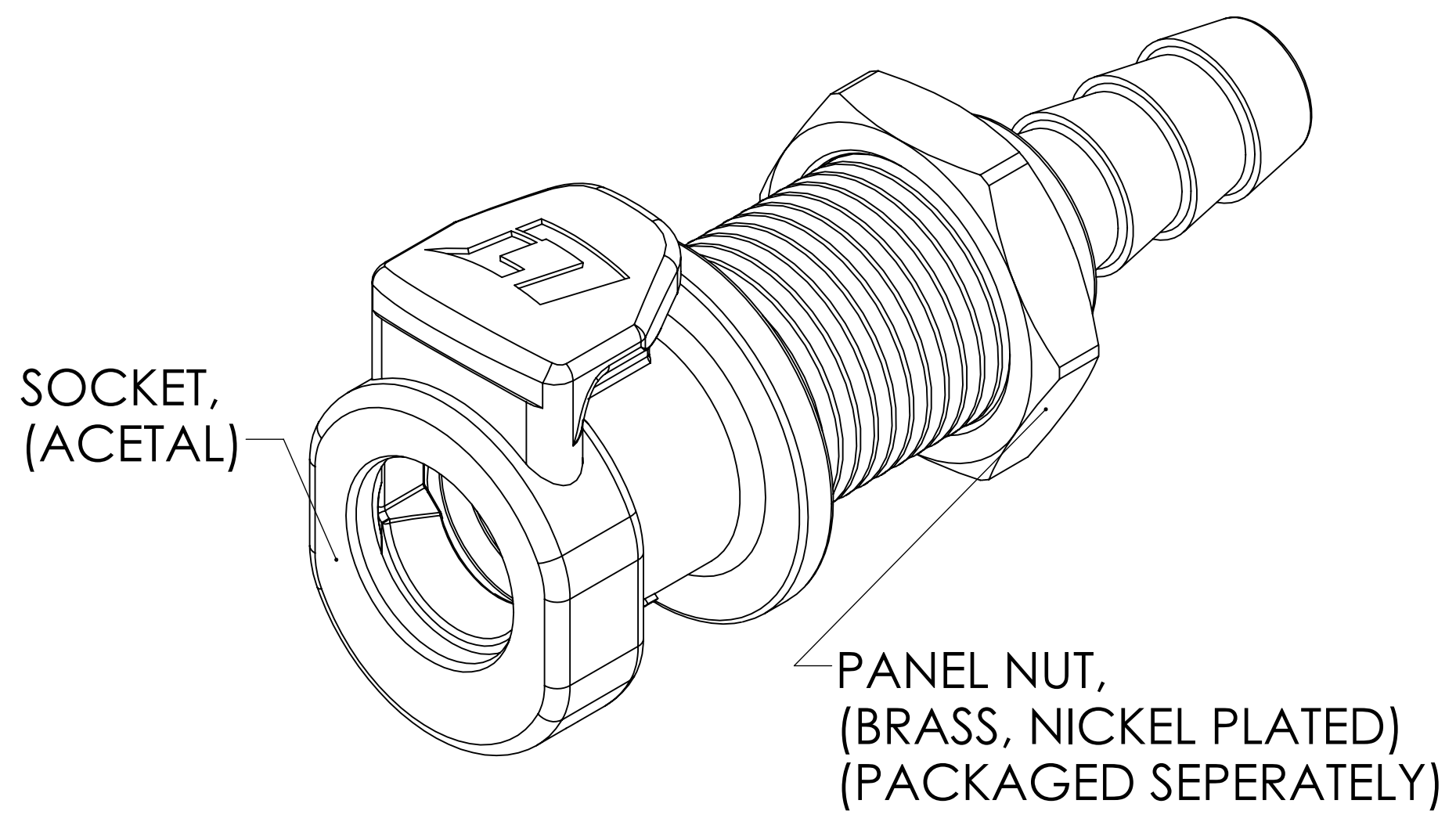


REVISIONS						
SHEET	ZONE	REV.	ECO	DESCRIPTION	DATE	APPROVED
1	ALL	NC	50186	INITIAL RELEASE	6/6/2016	HRC
1	ALL	A	50253	2017 FORMAT UPDATE	3/28/2018	HRC



- NOTES:**
- MATERIAL: ACETAL
  - COLOR: NATURAL
  - O-RING MATERIAL: BUNA-N
  - O-RINGS LUBRICATED WITH FOOD GRADE SILICONE OIL, 350 CST.

**FOR REFERENCE ONLY**

<small>UNLESS OTHERWISE SPECIFIED: DIMENSIONS ARE IN INCHES TOLERANCES: FRACTIONAL ± 1/32 ANGULAR, MACH ± 0.5 BEND ± 2 ONE PLACE DECIMAL ± 0.1 TWO PLACE DECIMAL ± 0.01 THREE PLACE DECIMAL ± 0.005 TWO PLACE DUAL (mm) [± 0.12]</small>	DRAWN	C.DAVIS	5/9/16	
	CHECKED	HRC	5/9/16	
	ENG APPR.	HRC	03-28-18	
	MFG APPR.	BDB	03-28-18	
PROPRIETARY AND CONFIDENTIAL	Q.A.	JJB	03-28-18	<b>PART NO:</b> 30ACV-SB3-04 <b>DESCRIPTION:</b> LinkTech 30AC Series Panel Mt. Female, Valved, 1/4" HB, Natural Acetal
<small>THE INFORMATION CONTAINED IN THIS DRAWING IS THE SOLE PROPERTY OF LINKTECH LLC. ANY REPRODUCTION OR DISCLOSURE IN PART OR AS A WHOLE WITHOUT THE WRITTEN PERMISSION OF LINKTECH LLC IS STRICTLY PROHIBITED.</small>	COMMENTS:			<b>SIZE</b> DWG. NO. REV <b>C</b> 30AC300084 <b>A</b>
	SCALE: NTS	WEIGHT:		SHEET 1 OF 1