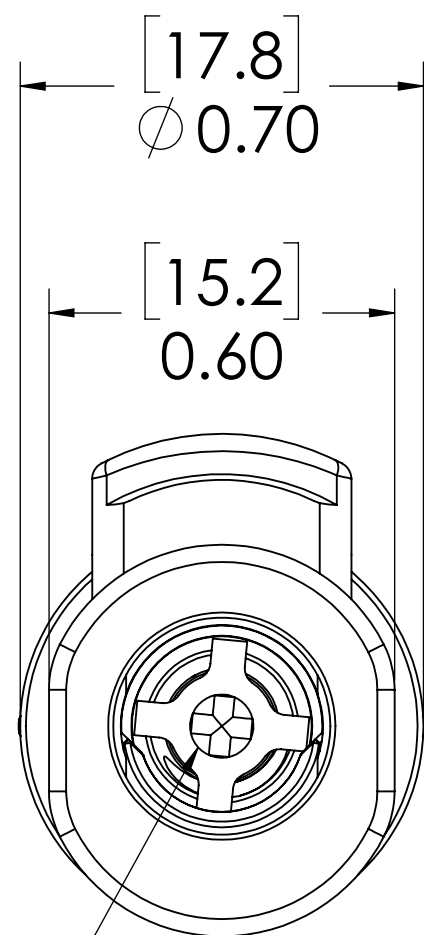
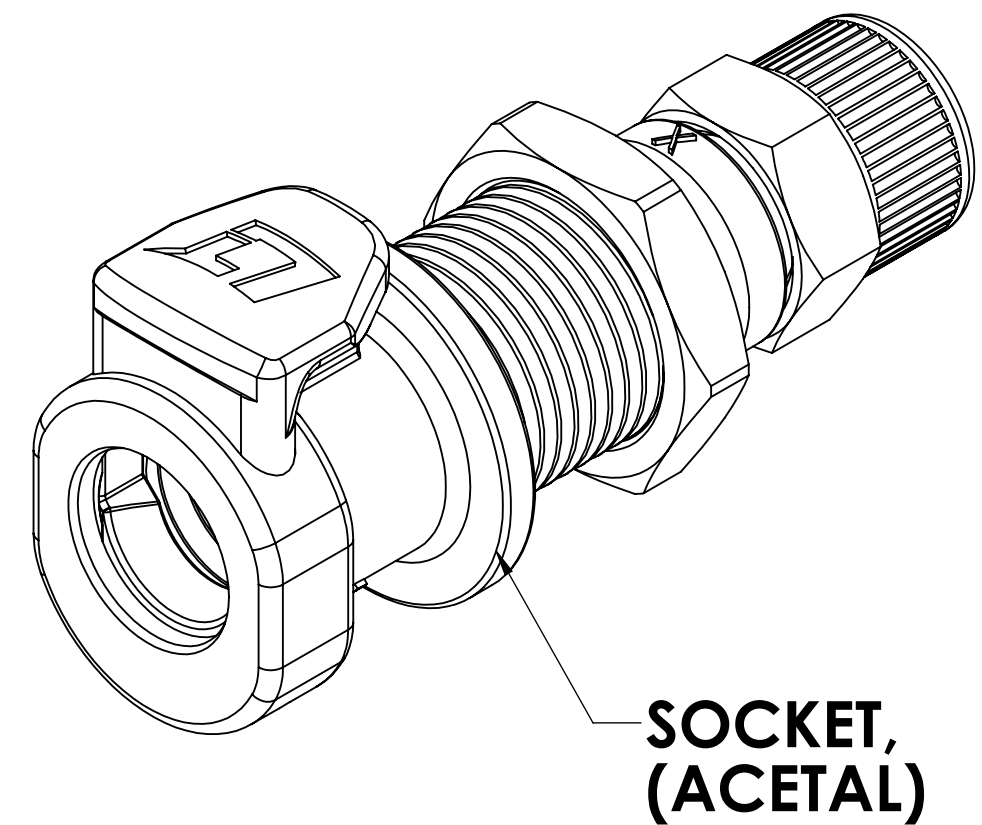
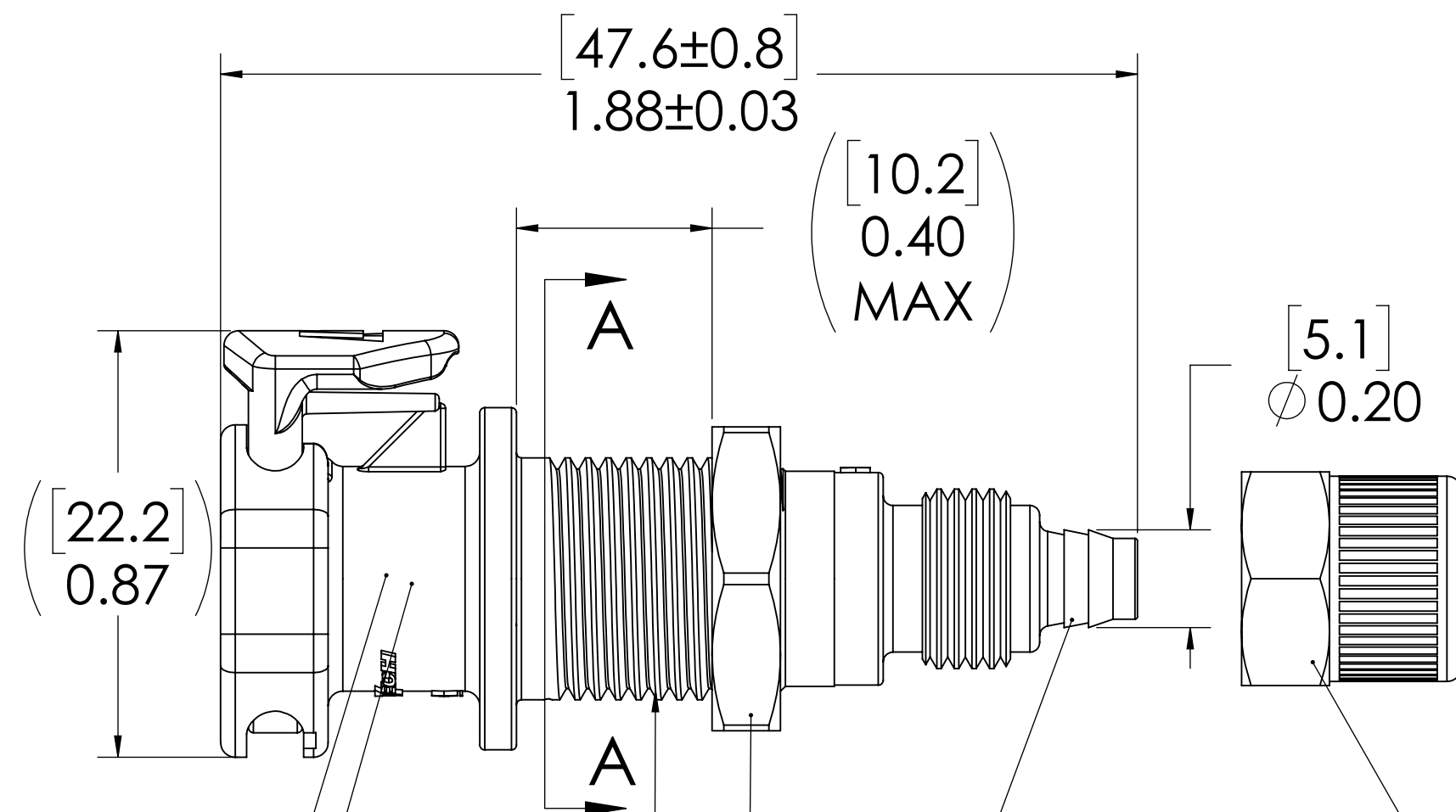


REVISIONS						
SHEET	ZONE	REV.	ECO	DESCRIPTION	DATE	APPROVED
1	ALL	A	50253	2017 FORMAT UPDATE	7/26/2018	HRC



**VALVE,
(ACETAL)**



**VALVE
SPRING,
(STAINLESS STEEL)**

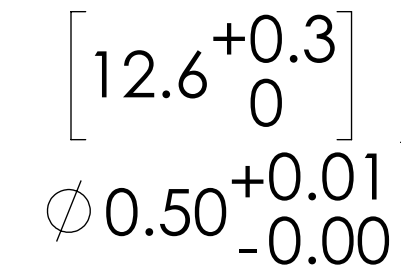
**O-RING
INTERNAL,
(BUNA-N)**

**PANEL NUT
(BRASS, NICKEL PLATED)
(PACKAGED SEPARATELY)**

1/2-24 UNS THREAD

1/4" TUBE OD

**PTF NUT
(BRASS, NICKEL PLATED)
(PACKAGED SEPARATELY)**



**SECTION A-A
(PAENL OPENING)**

- NOTES:**
- MATERIAL: ACETAL
 - COLOR: NATURAL WHITE
 - O-RING MATERIAL: BUNA-N
 - O-RINGS LUBRICATED WITH FOOD GRADE SILICONE OIL, 350 CST.

FOR REFERENCE ONLY

<small>UNLESS OTHERWISE SPECIFIED: DIMENSIONS ARE IN INCHES TOLERANCES: FRACTIONAL ± 1/32 ANGULAR: MACH ± 0.5 BEND ± 2 ONE PLACE DECIMAL ± 0.1 TWO PLACE DECIMAL ± 0.01 THREE PLACE DECIMAL ± 0.005 TWO PLACE DUAL (mm) [± 0.12]</small>	DRAWN	RDA	7/5/2018	
	CHECKED	HRC	7/5/2018	
	ENG APPR.	HRC	7/26/18	
	MFG APPR.	BDB	7/26/18	
PRODUCTION	LS	7/26/18		PART NO: 30ACV-SB8-04 DESCRIPTION: LinkTech 30AC Series Panel Mt. Female, Valved, 250 PTF, Natural Acetal
<small>THE INFORMATION CONTAINED IN THIS DRAWING IS THE SOLE PROPERTY OF LINKTECH LLC. ANY REPRODUCTION OR DISCLOSURE IN PART OR AS A WHOLE WITHOUT THE WRITTEN PERMISSION OF LINKTECH LLC IS STRICTLY PROHIBITED.</small>	COMMENTS:			SIZE DWG. NO. REV C 30AC300112 A
	SCALE: NTS	WEIGHT:		SHEET 1 OF 1