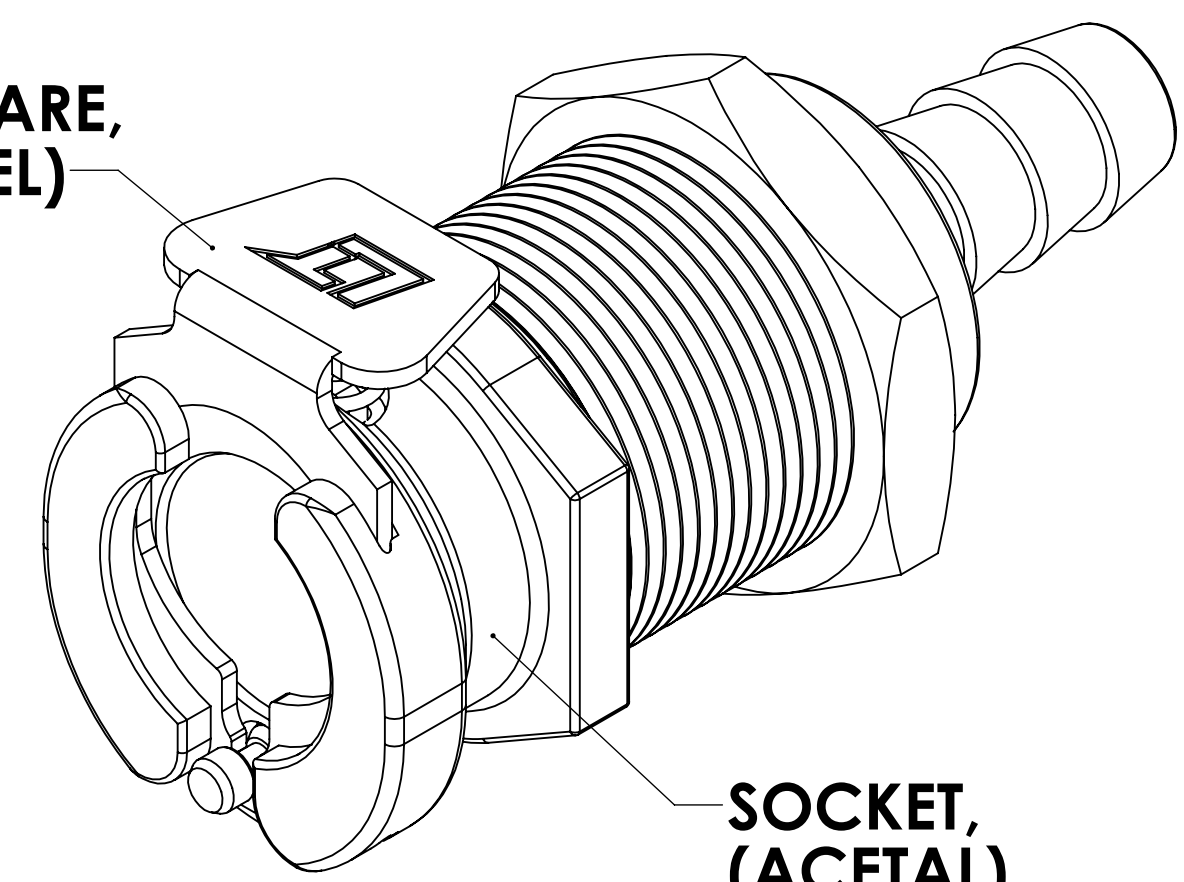
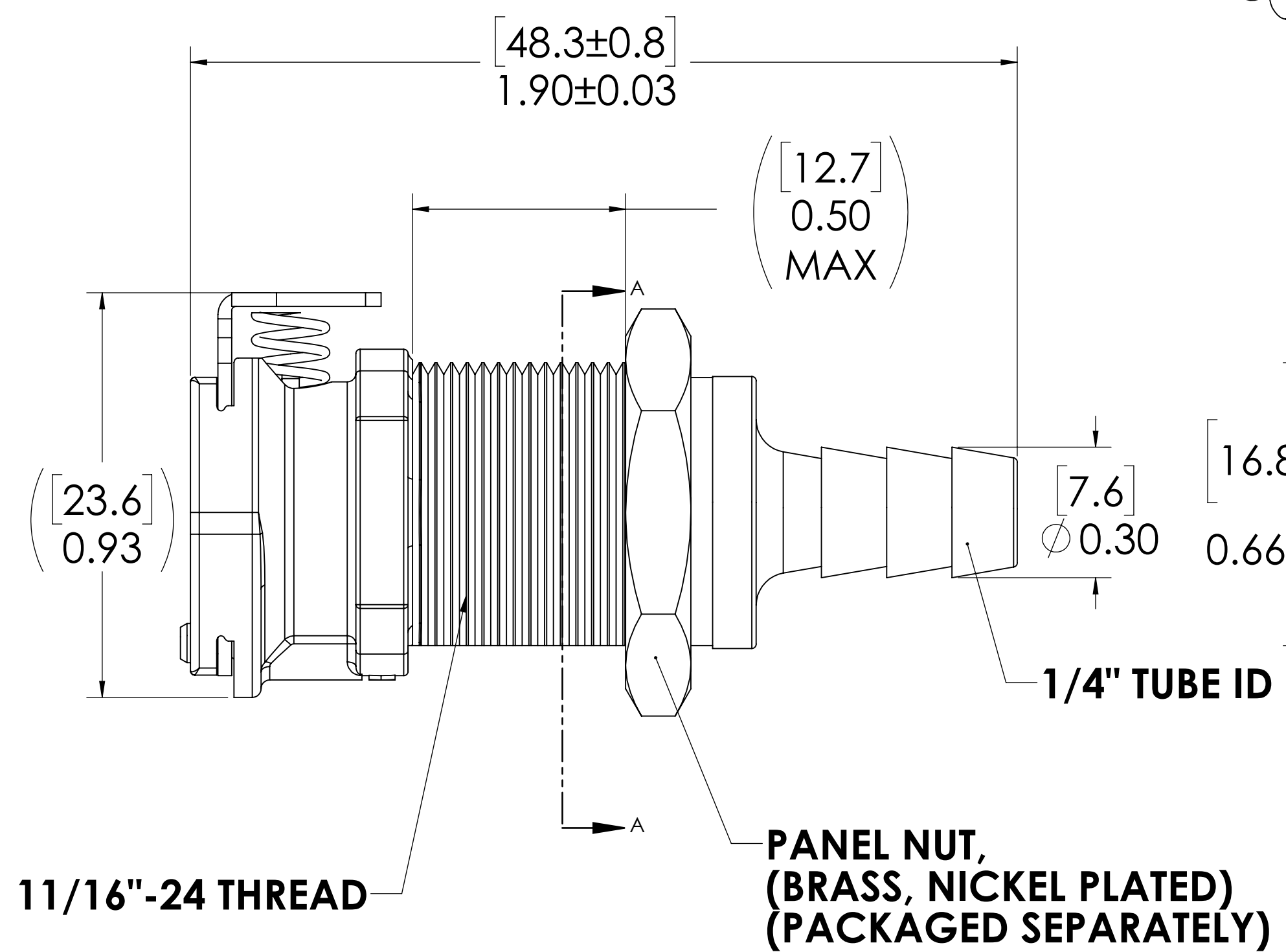
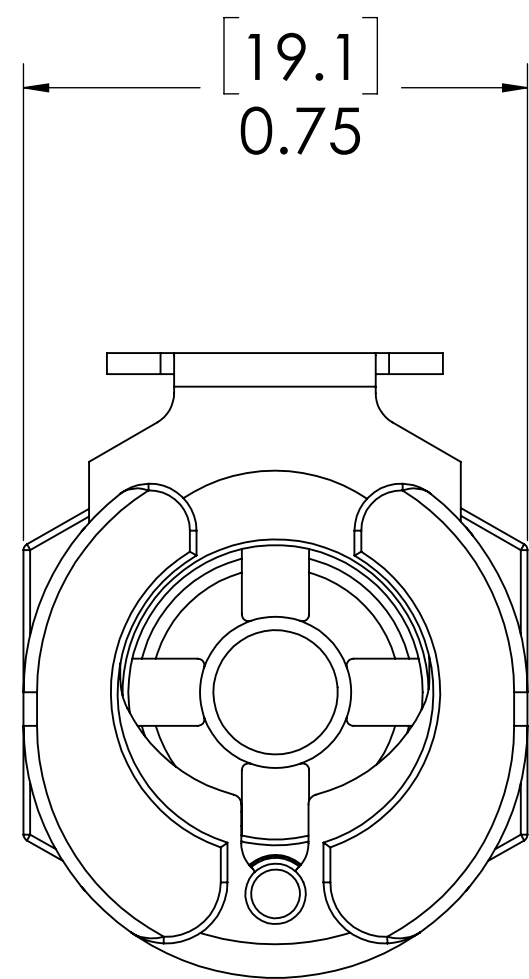


REVISIONS						
SHEET	ZONE	REV.	ECO	DESCRIPTION	DATE	APPROVED
1	ALL	A	50252	PIN, PIN SPRING & 2017 FORMAT UPDATE	7/18/2018	HRC

**LATCH HARDWARE,  
(STAINLESS STEEL)**



**SOCKET,  
(ACETAL)**



**SECTION A-A  
(PANEL OPENING)**

**FOR REFERENCE ONLY**

- NOTES:**
- MATERIAL: ACETAL
  - COLOR: NATURAL WHITE

<small>UNLESS OTHERWISE SPECIFIED: DIMENSIONS ARE IN INCHES TOLERANCES: FRACTIONAL ±1/32 ANGULAR, MACH ±0.5 BEND ±2 ONE PLACE DECIMAL ±0.1 TWO PLACE DECIMAL ±0.01 THREE PLACE DECIMAL ±0.005 TWO PLACE DUAL (mm) [±0.12]</small>	DRAWN	ER	07-28-17	
	CHECKED	HRC	06/30/17	
	ENG APPR.	HRC	7/18/18	
	MFG APPR.	BDB	7/18/18	
PRODUCTION	LS	7/18/18		<b>PART NO: 40AC-S3-04</b>  <b>DESCRIPTION:</b> <b>LinkTech 40AC Series Panel Mt. Female, Non-valved, 1/4" HB, Natural Acetal</b>
<small>PROPRIETARY AND CONFIDENTIAL THE INFORMATION CONTAINED IN THIS DRAWING IS THE SOLE PROPERTY OF LINKTECH LLC. ANY REPRODUCTION OR DISCLOSURE IN PART OR AS A WHOLE WITHOUT THE WRITTEN PERMISSION OF LINKTECH LLC IS STRICTLY PROHIBITED.</small>	COMMENTS:			<b>SIZE DWG. NO. REV</b> <b>C 40AC400097 A</b>
				<b>SCALE: NTS WEIGHT: SHEET 1 OF 1</b>