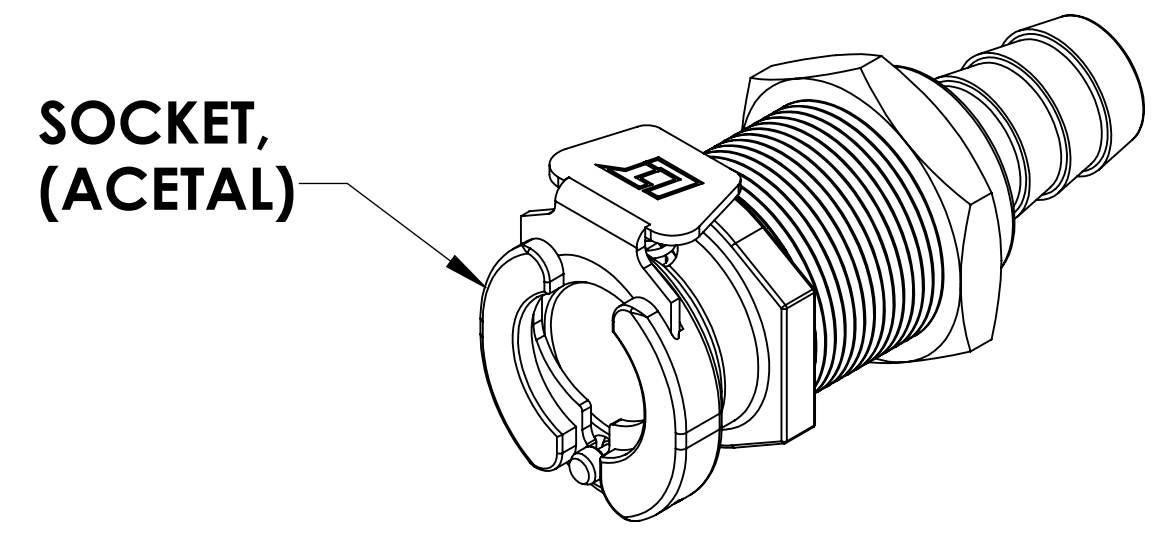
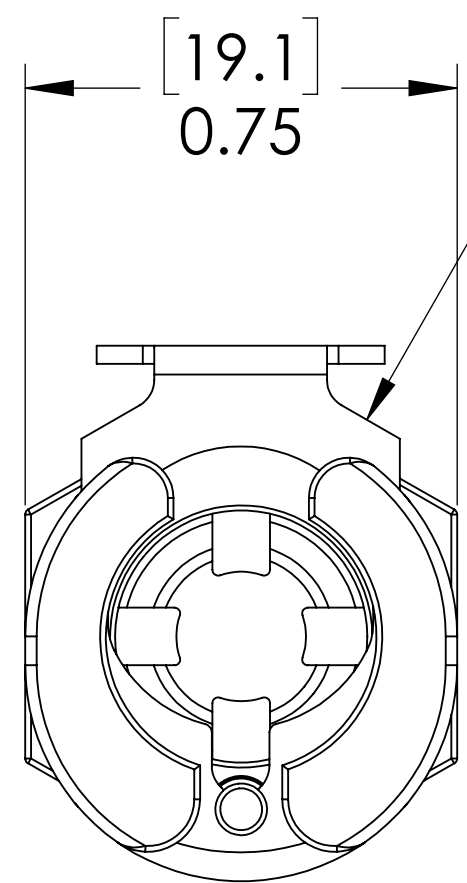


REVISIONS						
SHEET	ZONE	REV.	ECO	DESCRIPTION	DATE	APPROVED
1	ALL	A	50242	PIN, PIN SPRING & FORMAT UPDATE	10/25/2017	HRC

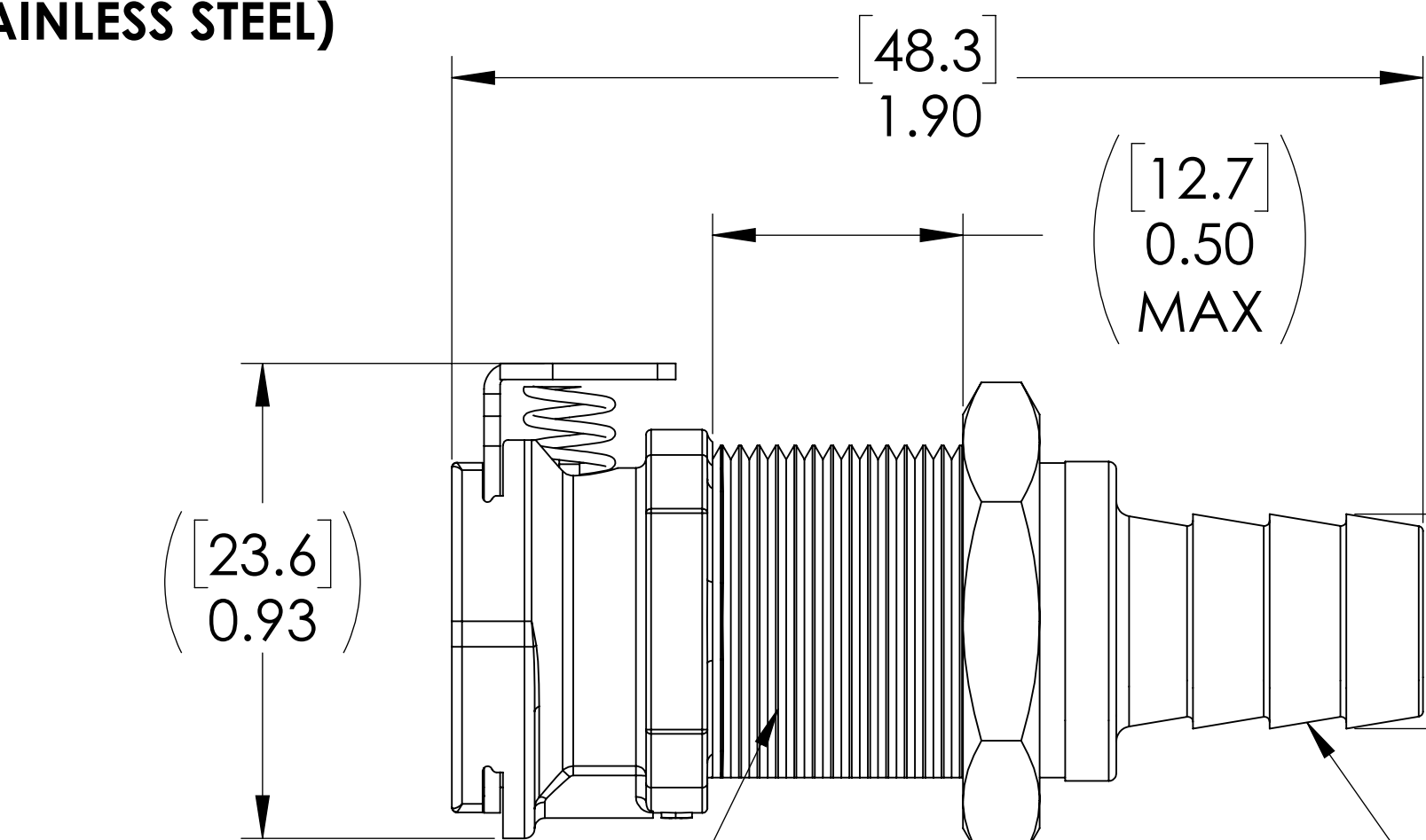


**SOCKET,
(ACETAL)**

**LATCH HARDWARE,
(STAINLESS STEEL)**



[19.1]
0.75



[48.3]
1.90

([12.7]
0.50
MAX)

([23.6]
0.93)

[10.7]
Ø 0.42

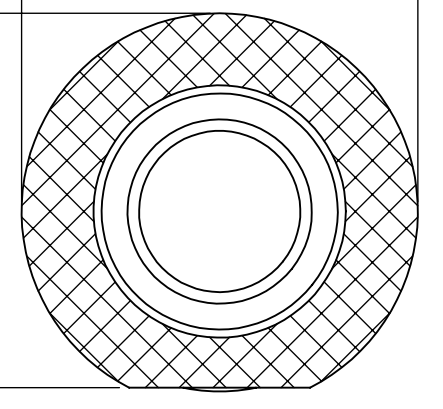
3/8" TUBE ID

11/16"-24 UNS THREAD

**PANEL NUT,
13/16" HEX
(BRASS, NICKEL PLATED)
PACKAGED SEPARATELY**

[17.5^{+0.3}
0]
Ø 0.69^{+0.01}
-0.00

[16.51^{+0.25}
0]
0.65^{+0.01}
-0.00



SECTION A-A

- NOTES:**
- MATERIAL: ACETAL
 - COLOR: NATURAL WHITE

FOR REFERENCE ONLY

<small>UNLESS OTHERWISE SPECIFIED: DIMENSIONS ARE IN INCHES TOLERANCES: FRACTIONAL ± 1/32 ANGULAR, MACH ± 0.5 BEND ± 2 ONE PLACE DECIMAL ± 0.1 TWO PLACE DECIMAL ± 0.01 THREE PLACE DECIMAL ± 0.005 TWO PLACE DUAL (mm) [± 0.12]</small>	DRAWN	HRC	06-13-12	
	CHECKED	HRC	7/24/2017	
	ENG APPR.	HRC	10-25-17	
	MFG APPR.	BDB	10-25-17	
<small>PROPRIETARY AND CONFIDENTIAL THE INFORMATION CONTAINED IN THIS DRAWING IS THE SOLE PROPERTY OF LINKTECH LLC. ANY REPRODUCTION OR DISCLOSURE IN PART OR AS A WHOLE WITHOUT THE WRITTEN PERMISSION OF LINKTECH LLC IS STRICTLY PROHIBITED.</small>	Q.A.	JJB	10-25-17	PART NO: 40AC-S3-06 DESCRIPTION: LinkTech 40AC Series Panel Mt. Female, Non-valved, 375 HB, Natural Acetal SIZE DWG. NO. C 40AC400101 SCALE: NTS WEIGHT: SHEET 1 OF 1
<small>REV</small> A				