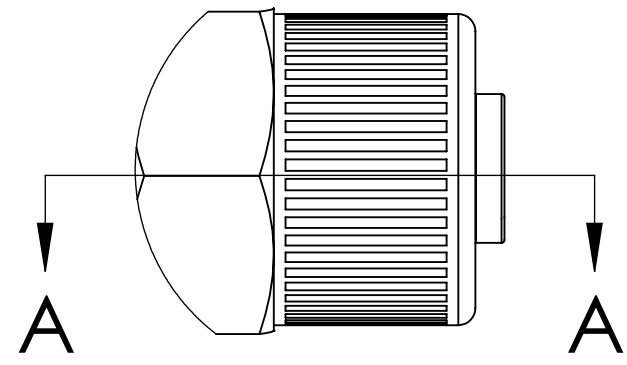
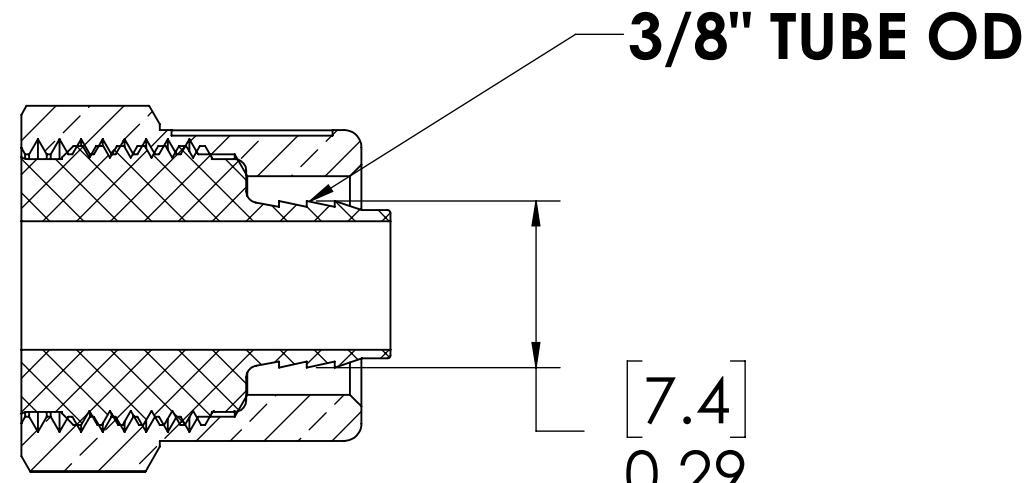


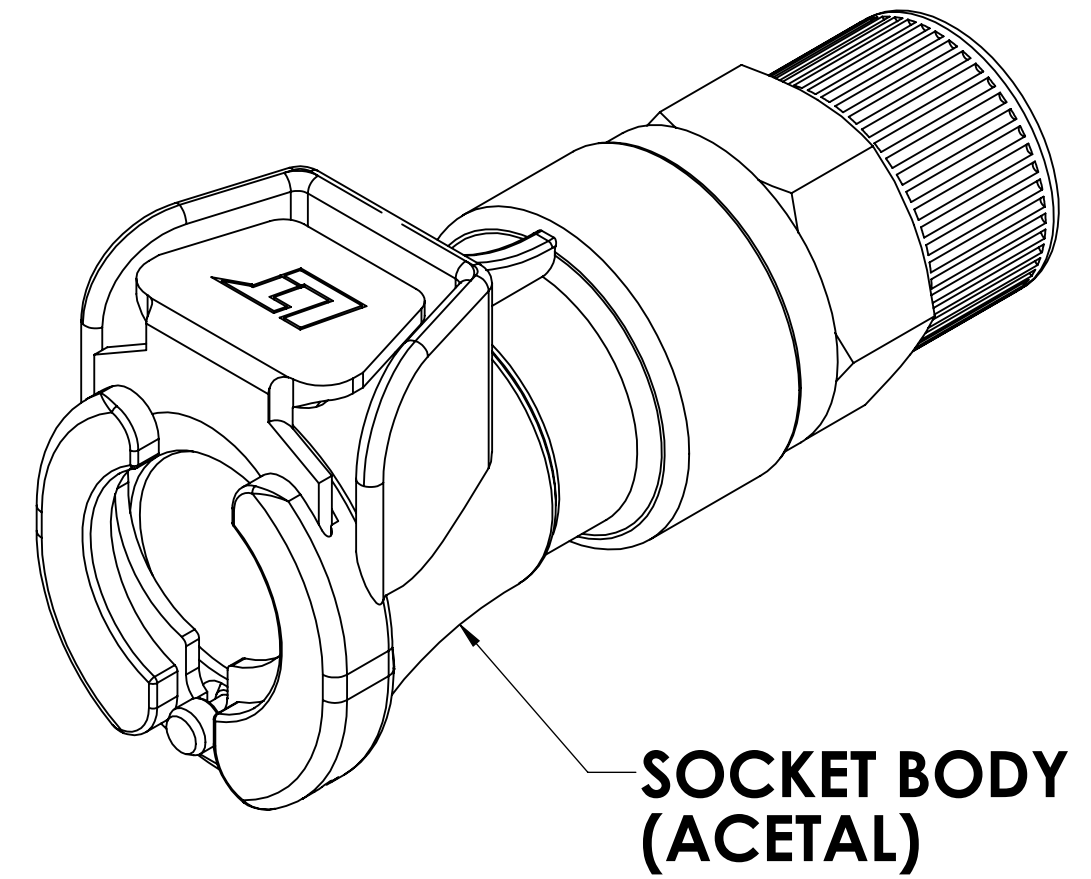
REVISIONS						
SHEET	ZONE	REV.	ECO	DESCRIPTION	DATE	APPROVED
1	ALL	A	50242	UPDATE DWG TO CURRENT FORMAT & STANDARDS	10/4/2018	HRC



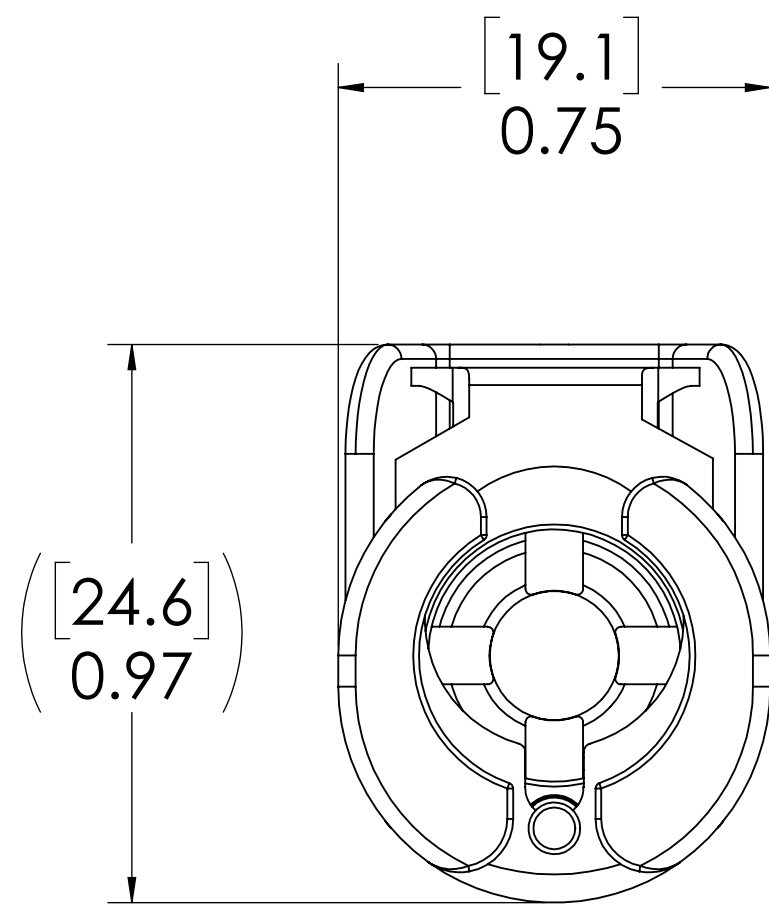
**DETAIL B**



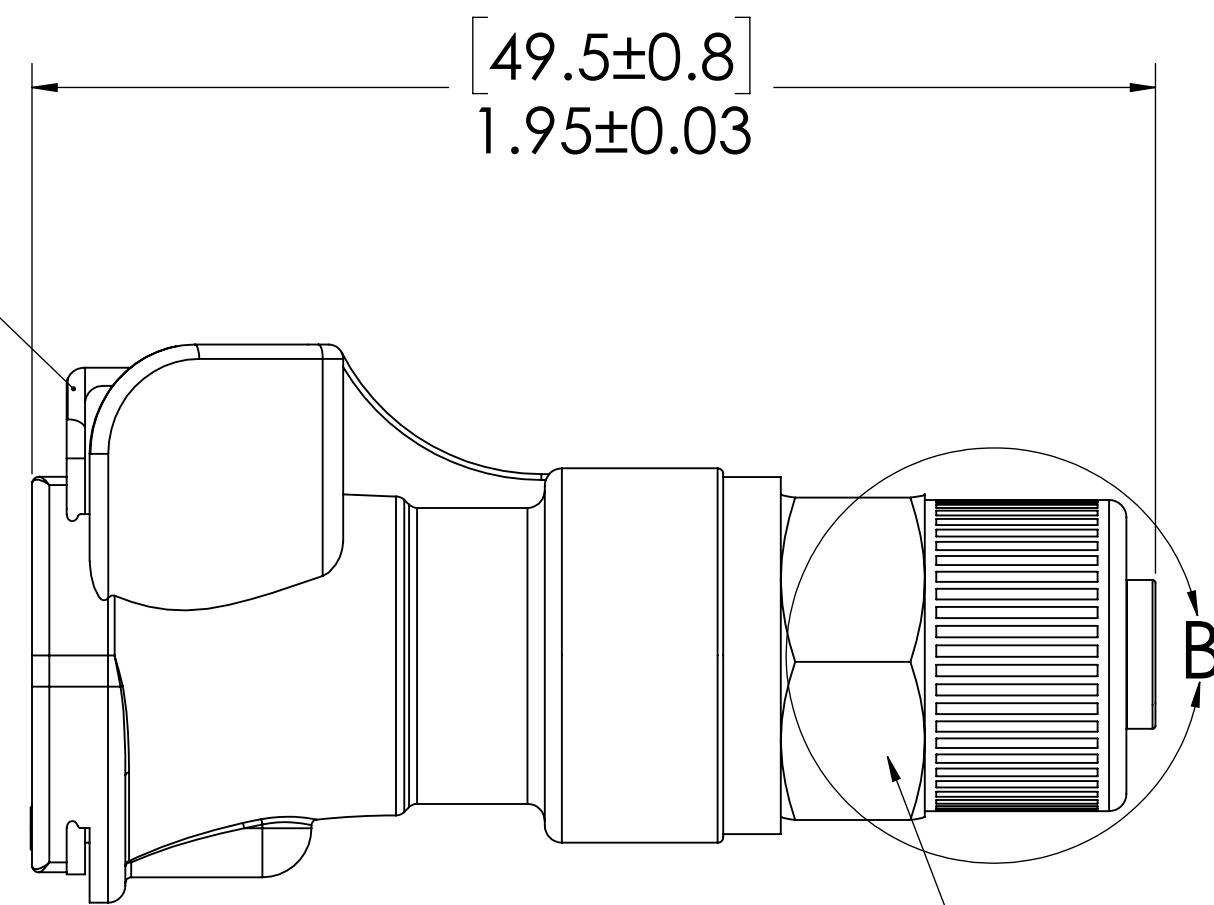
**SECTION A-A**



**SOCKET BODY (ACETAL)**




**LATCH HARDWARE (STAINLESS STEEL)**



**PTF NUT (BRASS, NICKEL PLATED) (PACKAGED SEPARATELY)**

- NOTES:**
1. MATERIAL: ACETAL
  2. COLOR: NATURAL WHITE

**FOR REFERENCE ONLY**

<small>UNLESS OTHERWISE SPECIFIED:          DIMENSIONS ARE IN INCHES          TOLERANCES:          FRACTIONAL ± 1/32          ANGULAR, MACH ± 0.5 BEND ± 2          ONE PLACE DECIMAL ± 0.1          TWO PLACE DECIMAL ± 0.01          THREE PLACE DECIMAL ± 0.005          TWO PLACE DUAL (mm) [±0.12]</small>	DRAWN	<b>LDM</b>	<b>12/15/17</b>	 <small>LINKTECH CORPORATION</small> PART NO: <b>40AC-S9-06</b> DESCRIPTION: <b>LinkTech 40AC Series          Straight Female, Non-valved,          3/8" PTF, Natural Acetal</b>
	CHECKED	<b>HRC</b>	<b>12/15/17</b>	
	ENG APPR.	<b>HRC</b>	<b>10/4/18</b>	
	MFG APPR.	<b>BDB</b>	<b>10/4/18</b>	
<small>PROPRIETARY AND CONFIDENTIAL</small> <small>THE INFORMATION CONTAINED IN THIS          DRAWING IS THE SOLE PROPERTY OF          LINKTECH LLC. ANY REPRODUCTION          OR DISCLOSURE IN PART OR AS A          WHOLE WITHOUT THE WRITTEN          PERMISSION OF LINKTECH LLC IS          STRICTLY PROHIBITED.</small>	PRODUCTION	<b>LS</b>	<b>10/4/18</b>	SIZE DWG. NO. REV <b>C</b> <b>40AC400236</b> <b>A</b>
COMMENTS:			SCALE: NTS WEIGHT:	SHEET 1 OF 1