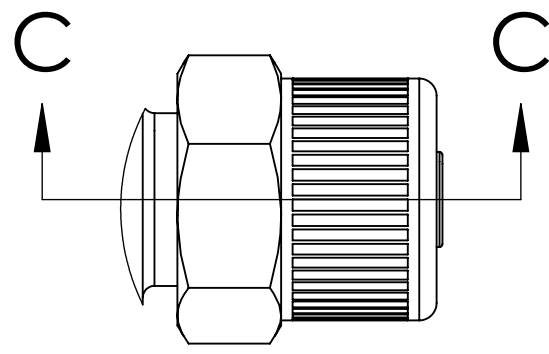
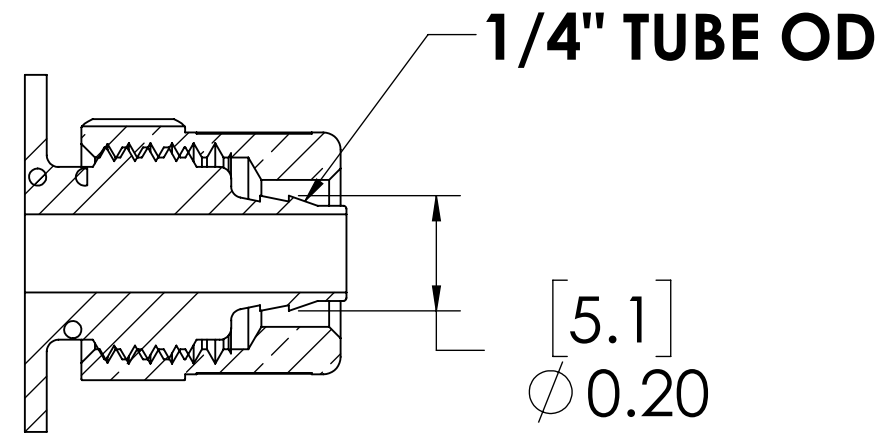


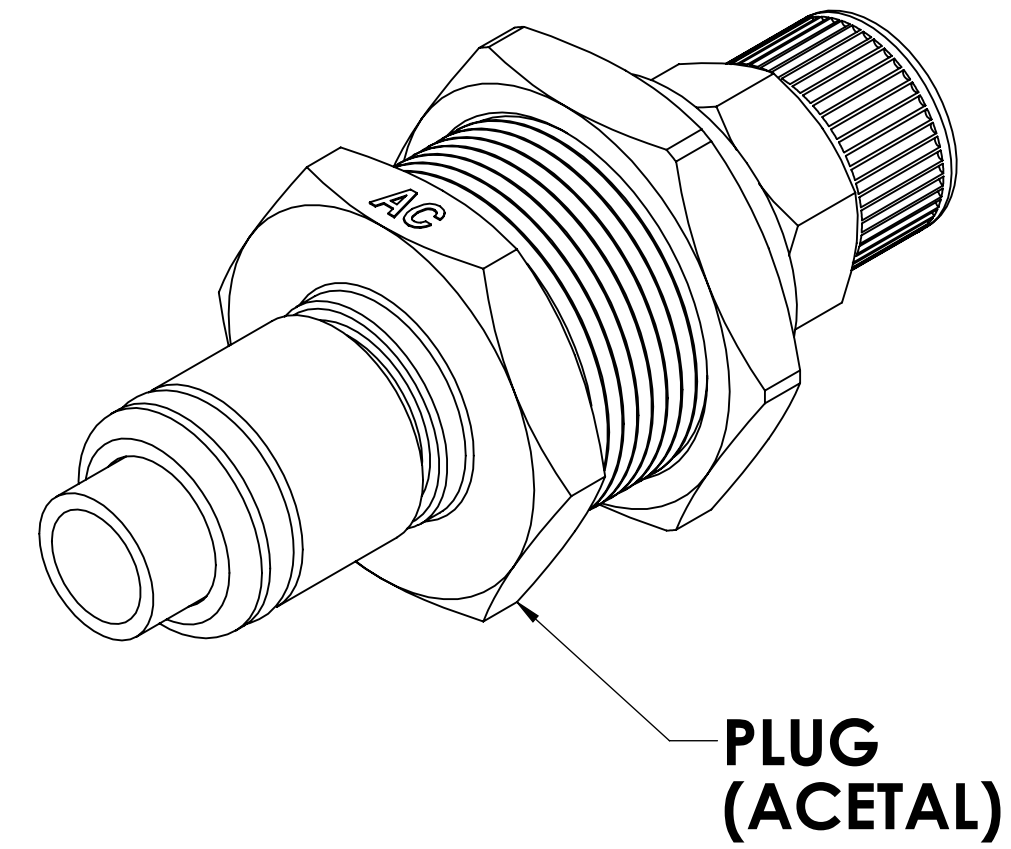
REVISIONS						
SHEET	ZONE	REV.	ECO	DESCRIPTION	DATE	APPROVED
1	ALL	A	50253	UPDARTE DWG TO CURRENT FORMAT & STANDARDS	10/12/2018	HRC



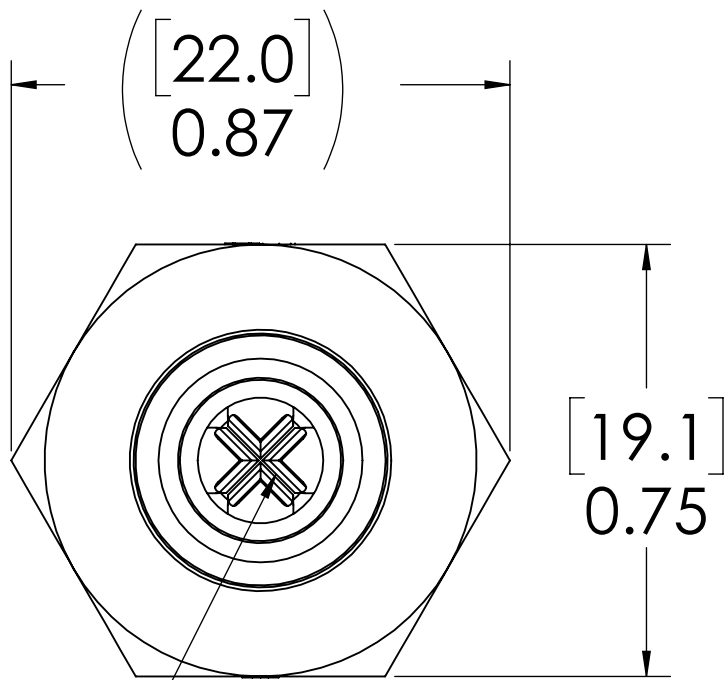
**DETAIL B**



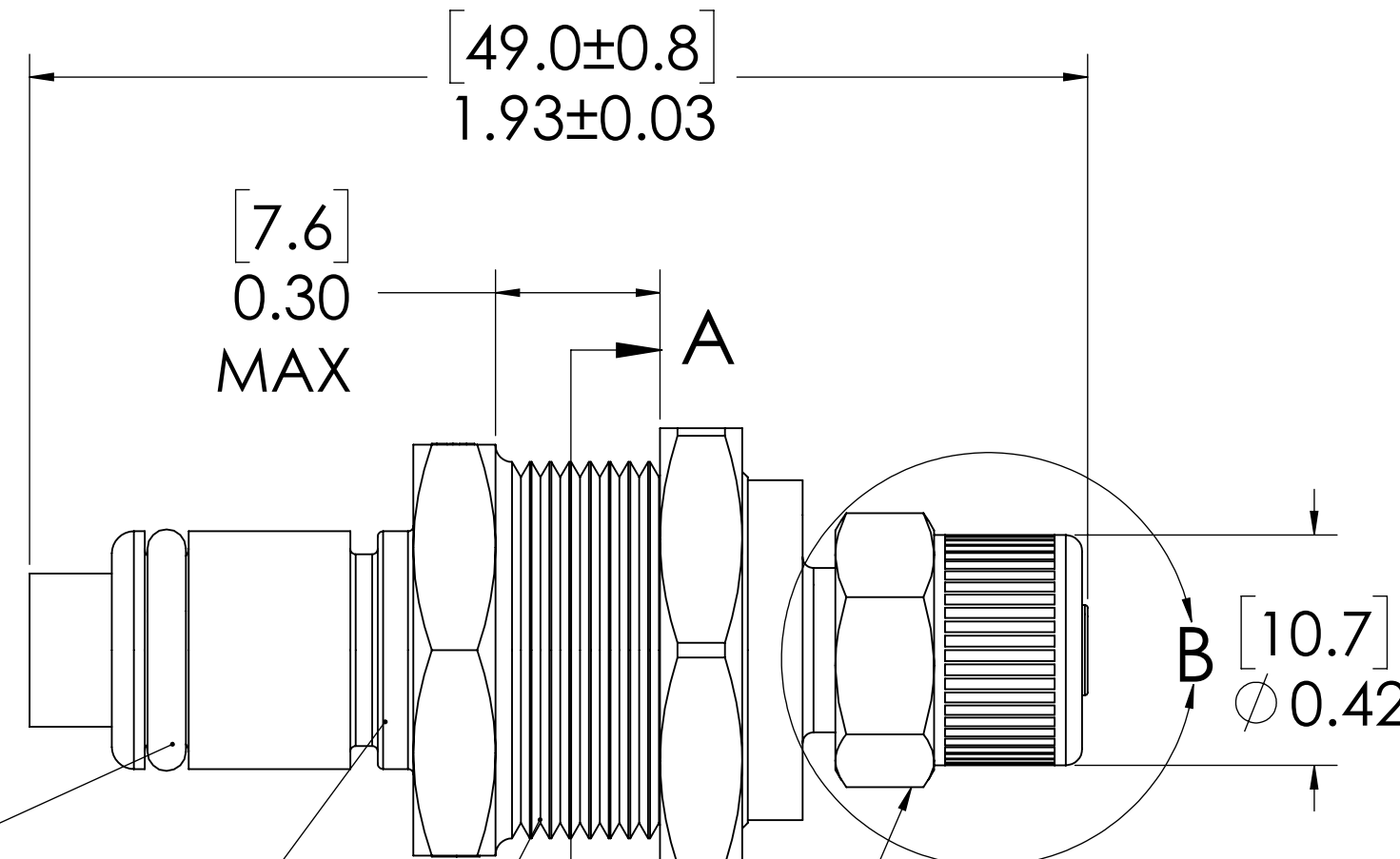
**SECTION C-C**



**PLUG (ACETAL)**



**VALVE (ACETAL)**

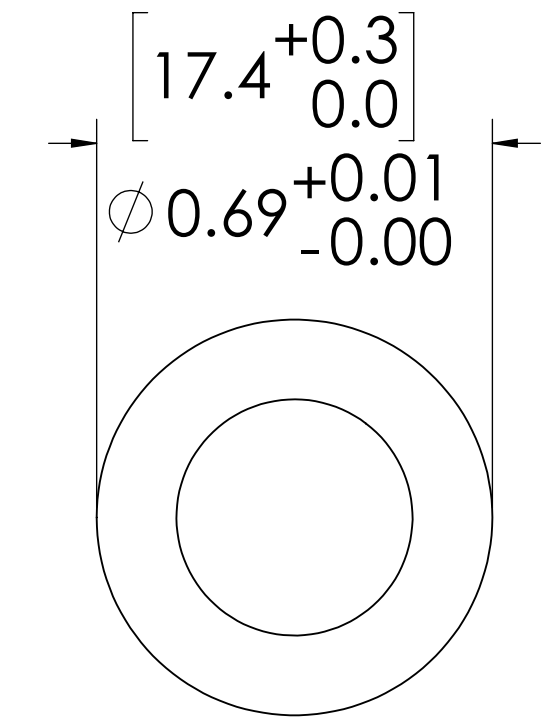


**O-RING (BUNA-N)**

**VALVE O-RING INTERNAL (BUNA-N)**

**11/16"-24 UNS THREAD**

**PANEL & PTF NUT (BRASS, NICKEL PLATED) (PACKAGED SEPARATELY)**




**PANEL OPENING (SECTION A-A)**

**NOTES:**

1. MATERIAL: ACETAL
2. COLOR: NATURAL WHITE
3. O-RING MATERIAL: BUNA-N
4. O-RINGS LUBRICATED WITH FOOD GRADE SILICONE OIL, 350 CST.

**FOR REFERENCE ONLY**

<small>UNLESS OTHERWISE SPECIFIED:          DIMENSIONS ARE IN INCHES          TOLERANCES:          FRACTIONAL ± 1/32          ANGULAR: MACH ± 0.5 BEND ± 2          ONE PLACE DECIMAL ± 0.1          TWO PLACE DECIMAL ± 0.01          THREE PLACE DECIMAL ± 0.005          TWO PLACE DUAL (mm) [±0.12]</small>	<small>DRAWN</small> <b>LDM</b>	<small>DATE</small> <b>12/4/17</b>	 <b>PART NO: 40ACV-PB8-04</b> <small>DESCRIPTION: LinkTech 40AC Series Panel Mt. Male, Valved, 1/4" PTF, Natural Acetal</small>		
	<small>CHECKED</small> <b>HRC</b>	<small>DATE</small> <b>12/4/17</b>			
	<small>ENG APPR.</small> <b>HRC</b>	<small>DATE</small> <b>10/12/18</b>			
	<small>MFG APPR.</small> <b>BDB</b>	<small>DATE</small> <b>10/12/18</b>			
<small>PRODUCTION</small> <b>LS</b>	<small>DATE</small> <b>10/12/18</b>	<small>COMMENTS:</small>	<small>SIZE</small> <b>C</b>	<small>DWG. NO.</small> <b>40AC400240</b>	<small>REV</small> <b>A</b>
<small>THE INFORMATION CONTAINED IN THIS DRAWING IS THE SOLE PROPERTY OF LINKTECH LLC. ANY REPRODUCTION OR DISCLOSURE IN PART OR AS A WHOLE WITHOUT THE WRITTEN PERMISSION OF LINKTECH LLC IS STRICTLY PROHIBITED.</small>		<small>SCALE: NTS</small>	<small>WEIGHT:</small>	<small>SHEET 1 OF 1</small>	