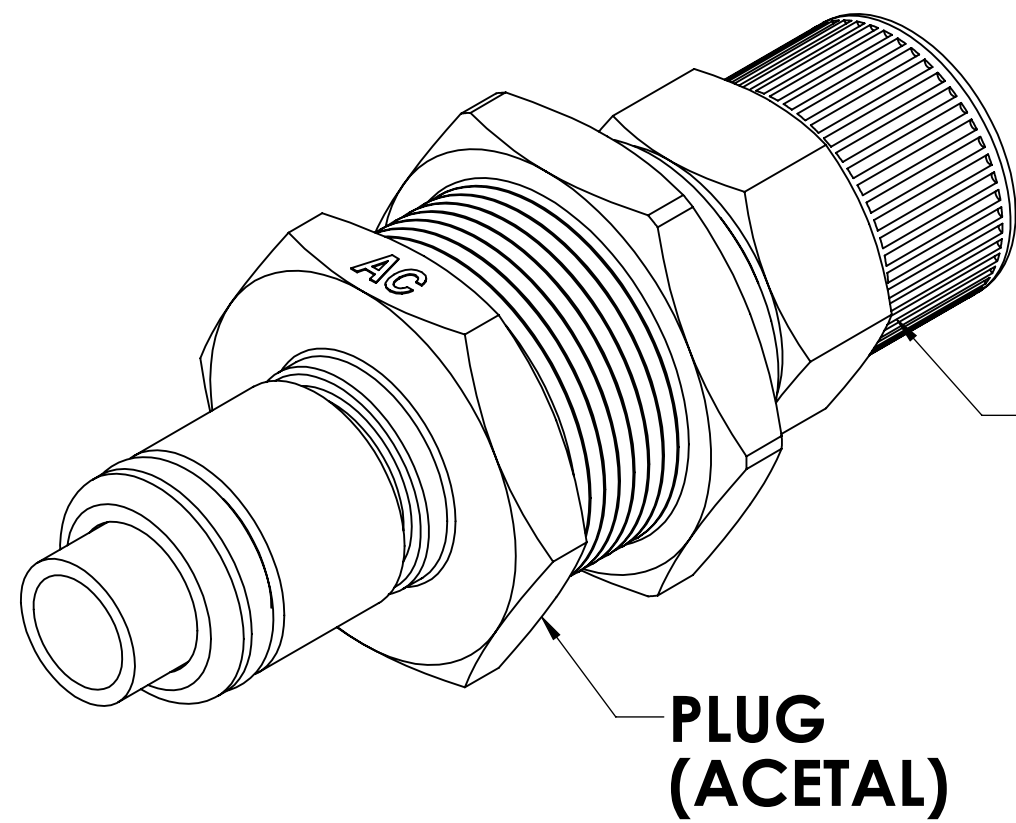
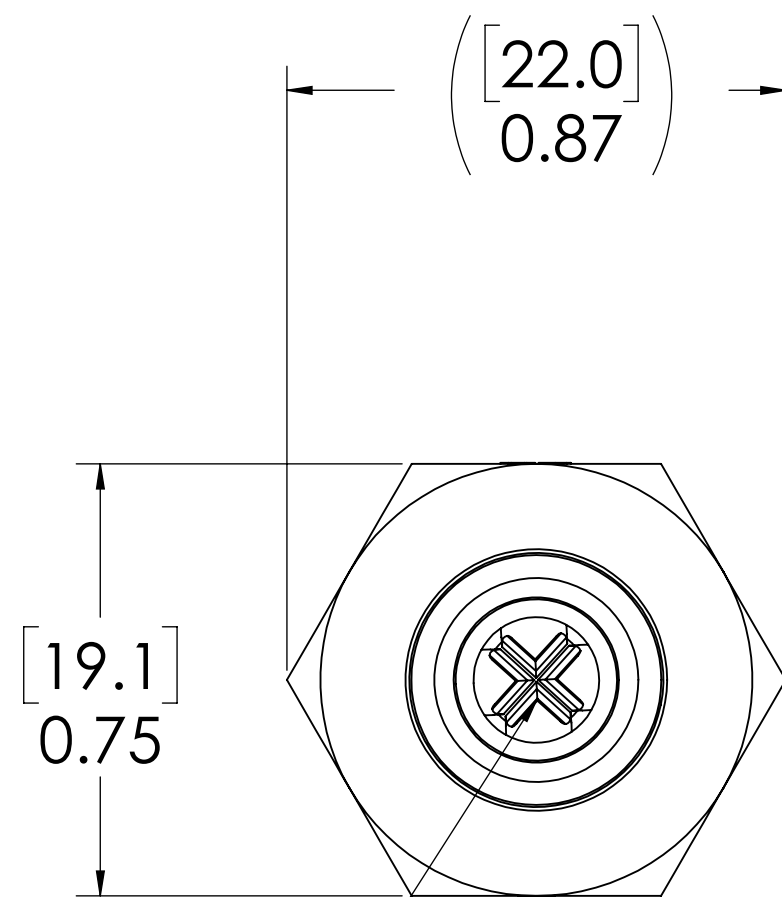


REVISIONS						
SHEET	ZONE	REV.	ECO	DESCRIPTION	DATE	APPROVED
1	ALL	A	50309	INITIAL RELEASE	12/6/2019	HRC

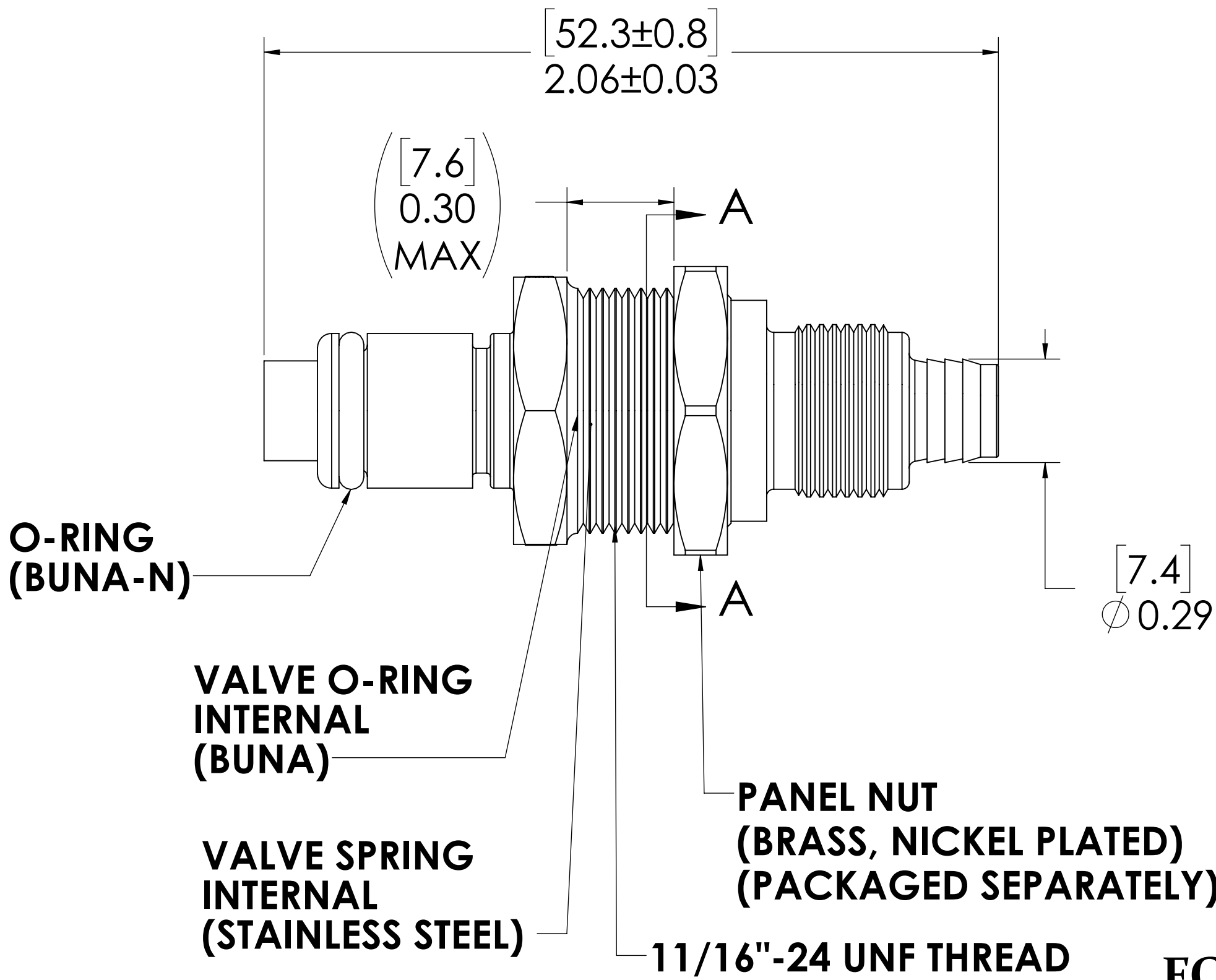


**PTF NUT  
(BRASS, NICKEL PLATED)  
(PACKAGED SEPARATELY)**

**PLUG  
(ACETAL)**



**VALVE  
(ACETAL)**



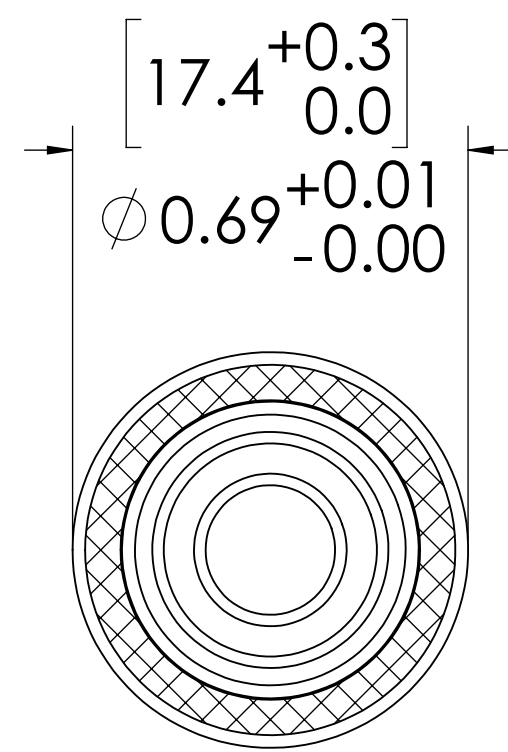
**O-RING  
(BUNA-N)**

**VALVE O-RING  
INTERNAL  
(BUNA)**

**VALVE SPRING  
INTERNAL  
(STAINLESS STEEL)**

**PANEL NUT  
(BRASS, NICKEL PLATED)  
(PACKAGED SEPARATELY)**

**11/16\"-24 UNF THREAD**



**SECTION A-A  
PANEL OPENING**

- NOTES:**
- MATERIAL: ACETAL
  - COLOR: NATURAL WHITE
  - O-RING MATERIAL: BUNA-N
  - O-RINGS LUBRICATED WITH FOOD GRADE SILICONE OIL, 350 CST.

**FOR REFERENCE ONLY**

<small>UNLESS OTHERWISE SPECIFIED: DIMENSIONS ARE IN INCHES TOLERANCES: FRACTIONAL ±1/32 ANGULAR: MACH ±0.5 BEND ±2 ONE PLACE DECIMAL ±0.1 TWO PLACE DECIMAL ±0.01 THREE PLACE DECIMAL ±0.005 TWO PLACE DUAL (mm) ±0.12</small>	DRAWN	RDA	11/20/2019	
	CHECKED	HRC	11/20/2019	
	ENG APPR.	HRC	12/6/19	
	MFG APPR.	BDB	12/6/19	
PRODUCTION	LS	12/6/19		<b>PART NO: 40ACV-PB8-06</b> <small>DESCRIPTION: LinkTech 40AC Series Panel Mt. Male, Valved, 3/8" PTF, Natural Acetal</small>
<small>PROPRIETARY AND CONFIDENTIAL THE INFORMATION CONTAINED IN THIS DRAWING IS THE SOLE PROPERTY OF LINKTECH LLC. ANY REPRODUCTION OR DISCLOSURE IN PART OR AS A WHOLE WITHOUT THE WRITTEN PERMISSION OF LINKTECH LLC IS STRICTLY PROHIBITED.</small>				<small>SIZE DWG. NO. REV</small> <b>C 40AC400294 A1</b>
<small>SCALE: NTS WEIGHT:</small>			<small>SHEET 1 OF 1</small>	