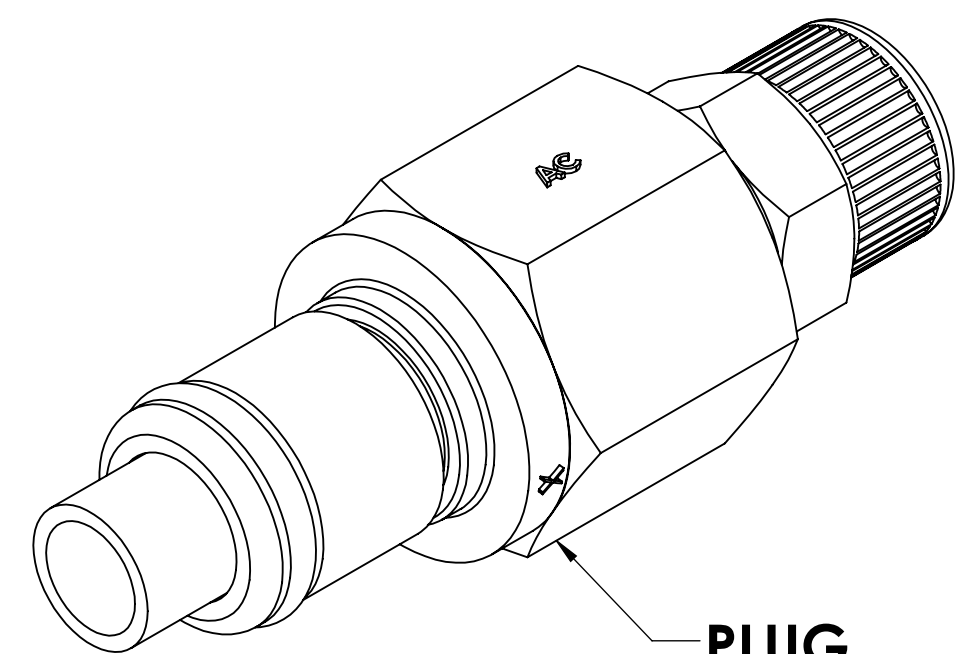
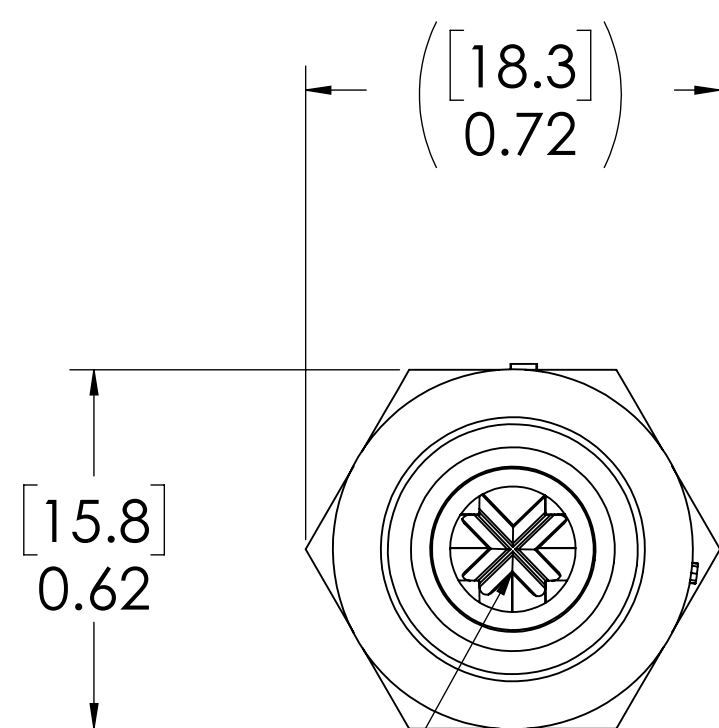


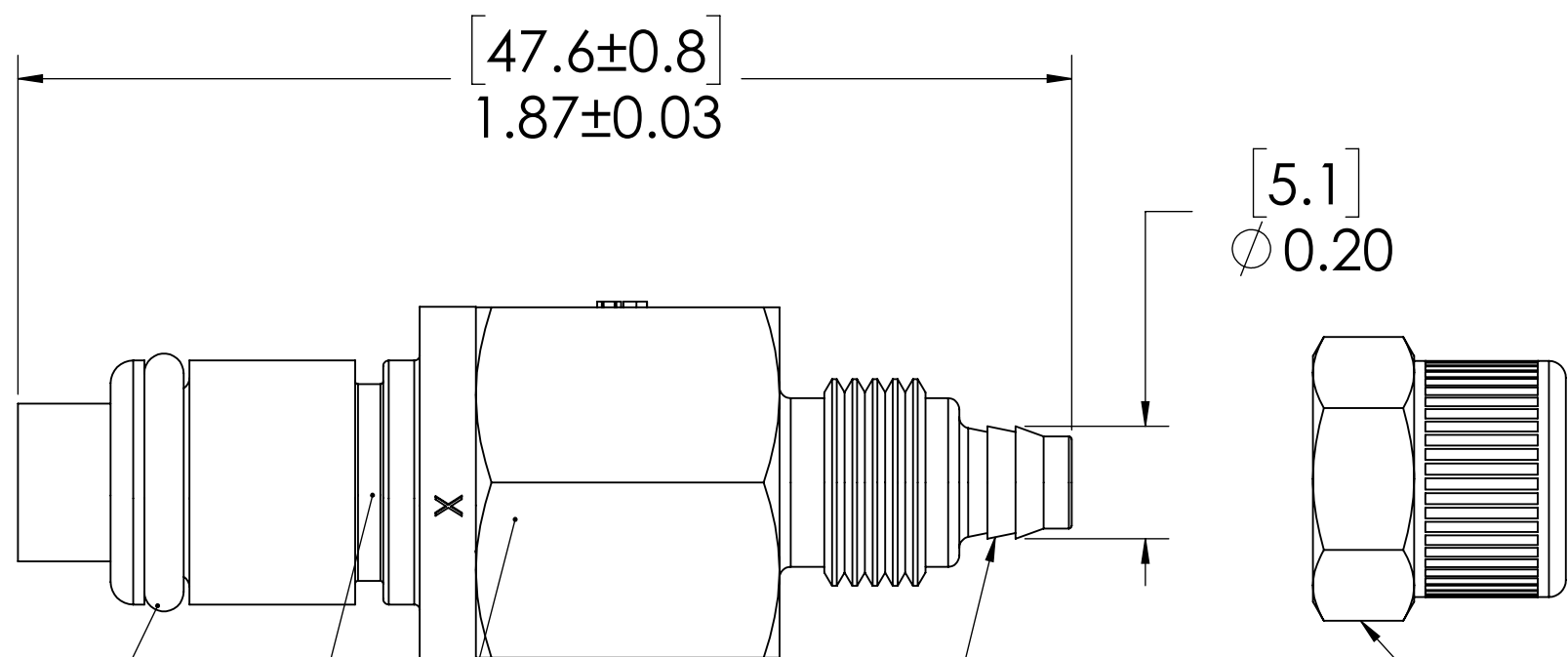
REVISIONS						
SHEET	ZONE	REV.	ECO	DESCRIPTION	DATE	APPROVED
1	ALL	A	50253	UPDATE DWG TO CURRENT FORMAT & STANDARDS	10/12/2018	HRC



**PLUG,
(ACETAL)**



**VALVE
(ACETAL)**



**O-RING
(BUNA-N)**

**VALVE O-RING,
INTERNAL
(BUNA-N)**

**VALVE SPRING,
INTERNAL
(STAINLESS STEEL)**

1/4" TUBE OD

**PTF NUT
(BRASS, NICKEL PLATED)
PACKAGED SEPARATELY**

- NOTES:**
- MATERIAL: ACETAL
 - COLOR: WHITE
 - O-RING MATERIAL: BUNA-N
 - O-RINGS LUBRICATED WITH FOOD GRADE SILICONE OIL, 350 CST.

FOR REFERENCE ONLY

<small>UNLESS OTHERWISE SPECIFIED: DIMENSIONS ARE IN INCHES TOLERANCES: FRACTIONAL ± 1/32 ANGULAR, MACH ± 0.5 BEND ± 2 ONE PLACE DECIMAL ± 0.1 TWO PLACE DECIMAL ± 0.01 THREE PLACE DECIMAL ± 0.005 TWO PLACE DECIMAL (mm) [± 0.12]</small>	<small>DRAWN</small> ER	<small>DATE</small> 07-26-17		
	<small>CHECKED</small> HRC	<small>DATE</small> 07-26-17		<small>PART NO.:</small> 40ACV-PB9-04
	<small>ENG APPR.</small> HRC	<small>DATE</small> 10/12/18		<small>DESCRIPTION:</small> LinkTech 40AC Series Straight Male, Valved, 1/4" PTF, Natural Acetal
	<small>MFG APPR.</small> BDB	<small>DATE</small> 10/12/18		<small>SIZE DWG. NO. REV</small> C 40AC400209 A
<small>PRODUCTION</small> LS	<small>DATE</small> 10/12/18	<small>SCALE: NTS WEIGHT:</small>	<small>SHEET 1 OF 1</small>	
<small>PROPRIETARY AND CONFIDENTIAL THE INFORMATION CONTAINED IN THIS DRAWING IS THE SOLE PROPERTY OF LINKTECH LLC. ANY REPRODUCTION OR DISCLOSURE IN PART OR AS A WHOLE WITHOUT THE WRITTEN PERMISSION OF LINKTECH LLC IS STRICTLY PROHIBITED.</small>				