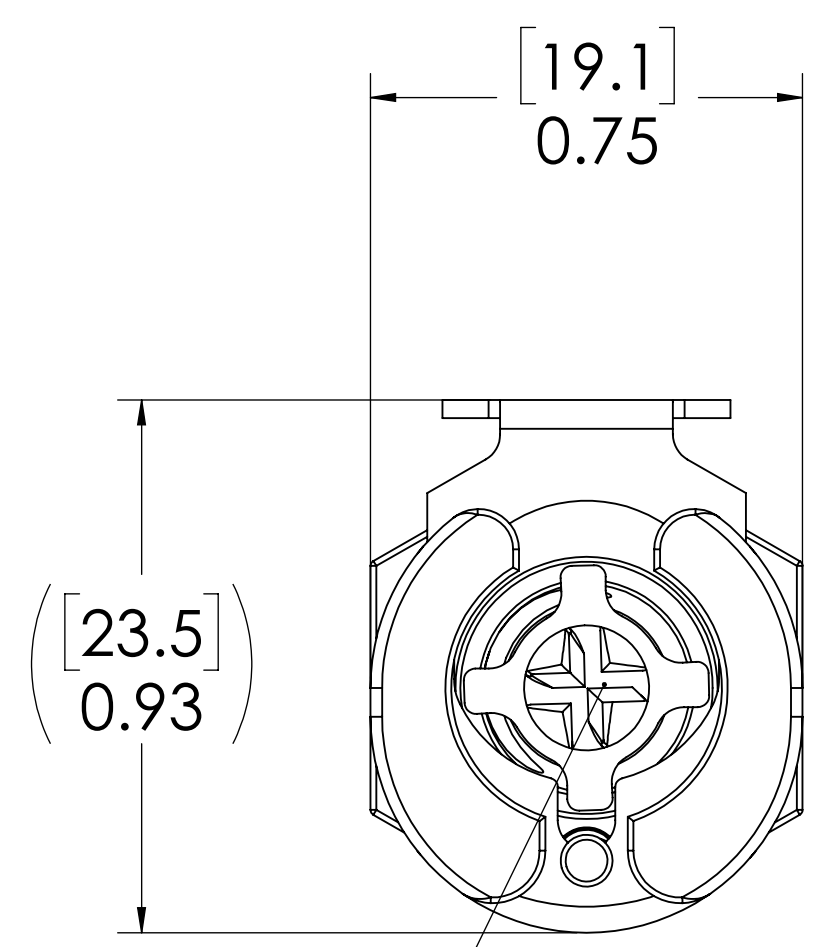
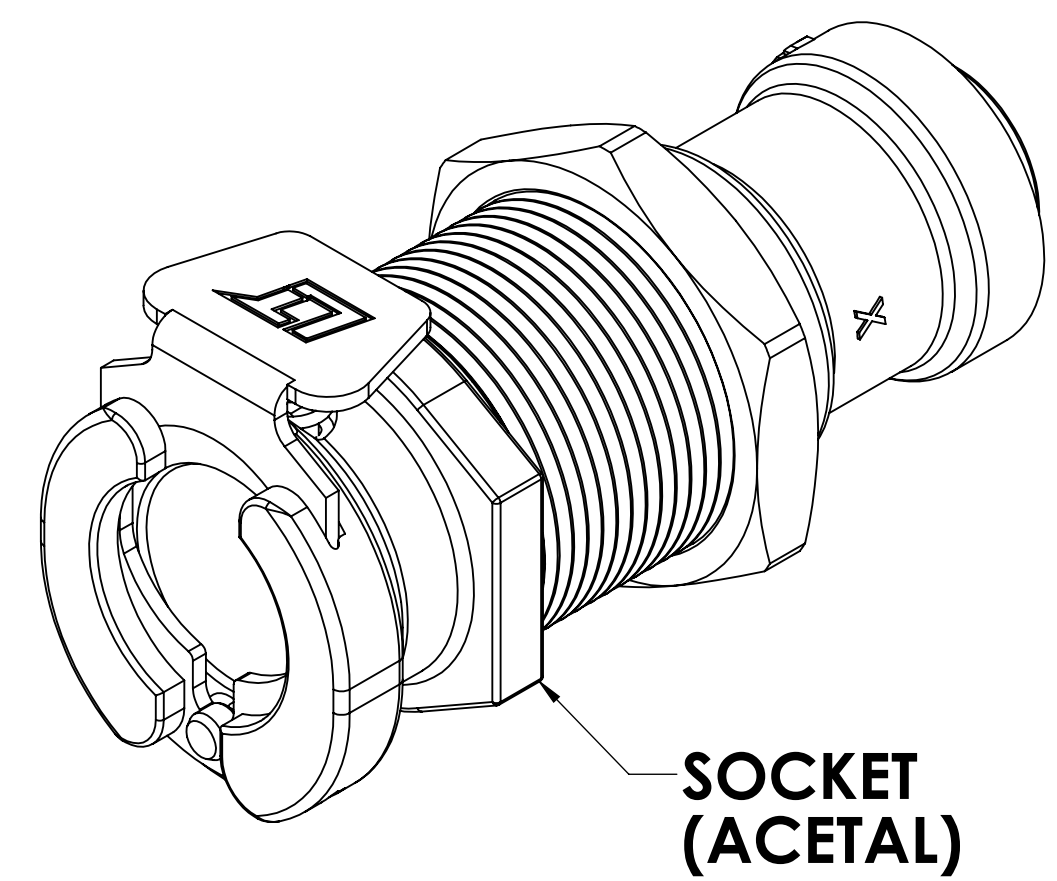
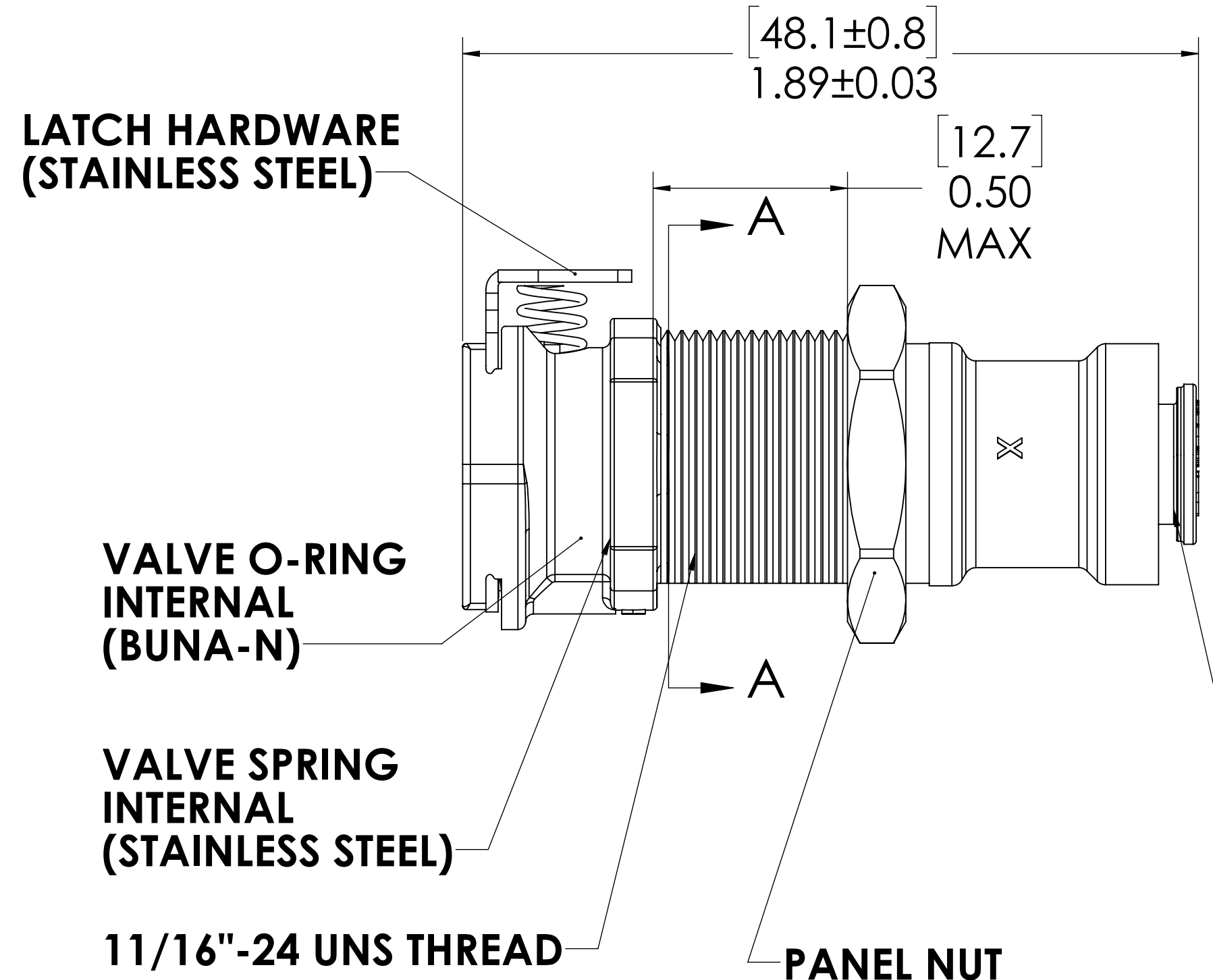


REVISIONS						
SHEET	ZONE	REV.	ECO	DESCRIPTION	DATE	APPROVED
1	ALL	A	50026	INITIAL RELEASE	10/24/2012	HRC
1	ALL	B	50026	UPDATED BOM AND DRAWING FORMAT	11/30/2015	HRC
1	ALL	C	50242	UPDATE DWG TO CURRENT FORMAT & STANDARDS	10/12/2018	HRC



VALVE (ACETAL)



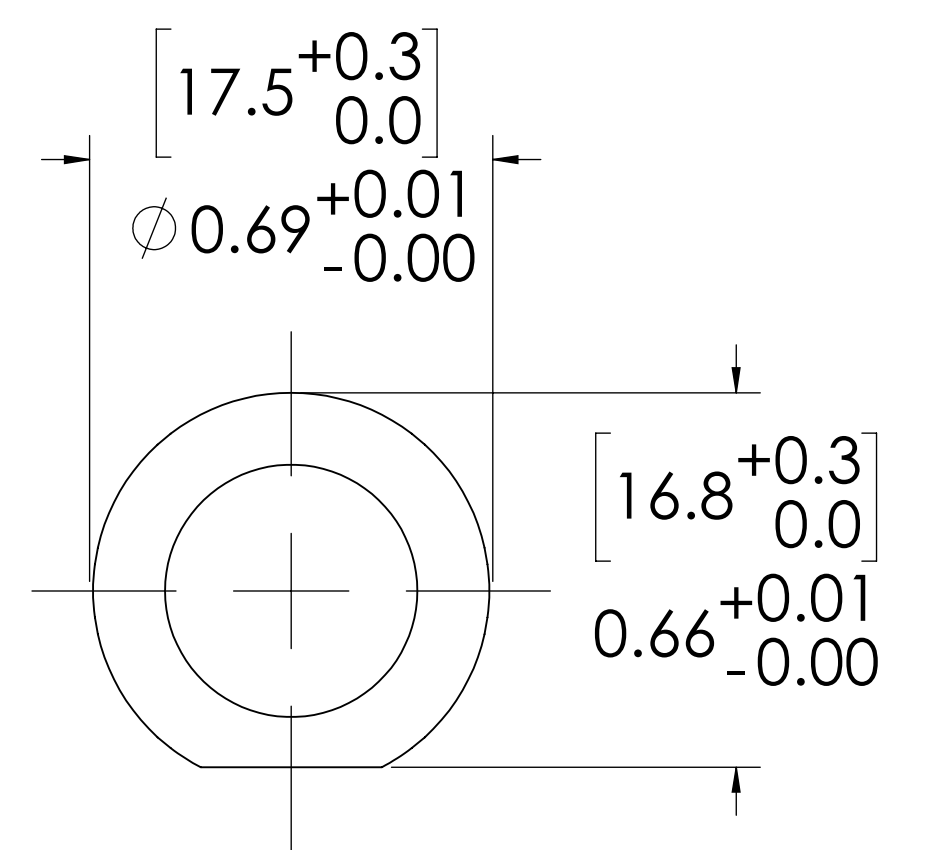
LATCH HARDWARE (STAINLESS STEEL)

VALVE O-RING INTERNAL (BUNA-N)

VALVE SPRING INTERNAL (STAINLESS STEEL)

11/16\"-24 UNS THREAD

PANEL NUT (BRASS, NICKEL PLATED) (PACKAGED SEPERATELY)



PANEL OPENING (SECTION A-A)

1/4\" TUBE OD (PUSH-IN, BUNA)

- NOTES:**
- MATERIAL: ACETAL
 - COLOR: NATURAL WHITE
 - O-RING MATERIAL: BUNA-N
 - O-RINGS LUBRICATED WITH FOOD GRADE SILICONE OIL, 350 CST.

FOR REFERENCE ONLY

<small>UNLESS OTHERWISE SPECIFIED: DIMENSIONS ARE IN INCHES TOLERANCES: FRACTIONAL ±1/32 ANGULAR: MACH ±0.5 BEND ±2 ONE PLACE DECIMAL ±0.1 TWO PLACE DECIMAL ±0.01 THREE PLACE DECIMAL ±0.005 TWO PLACE DUAL (mm) [±0.12]</small>	DRAWN	LDM	12/1/17	
	CHECKED	HRC	12/1/17	
	ENG APPR.	HRC	10/12/18	
	MFG APPR.	BDB	10/12/18	
PRODUCTION	LS	10/12/18		
<small>PROPRIETARY AND CONFIDENTIAL</small>				
<small>THE INFORMATION CONTAINED IN THIS DRAWING IS THE SOLE PROPERTY OF LINKTECH LLC. ANY REPRODUCTION OR DISCLOSURE IN PART OR AS A WHOLE WITHOUT THE WRITTEN PERMISSION OF LINKTECH LLC IS STRICTLY PROHIBITED.</small>				
<small>DESCRIPTION:</small>				40ACV-SB18-04
<small>DESCRIPTION:</small>				LinkTech 40AC Series Panel Mt. Female, Valved, 1/4" O.D. Push-in, Natural Acetal
SIZE	DWG. NO.	REV		
C	40AC400090	C		
SCALE: NTS	WEIGHT:	SHEET 1 OF 1		