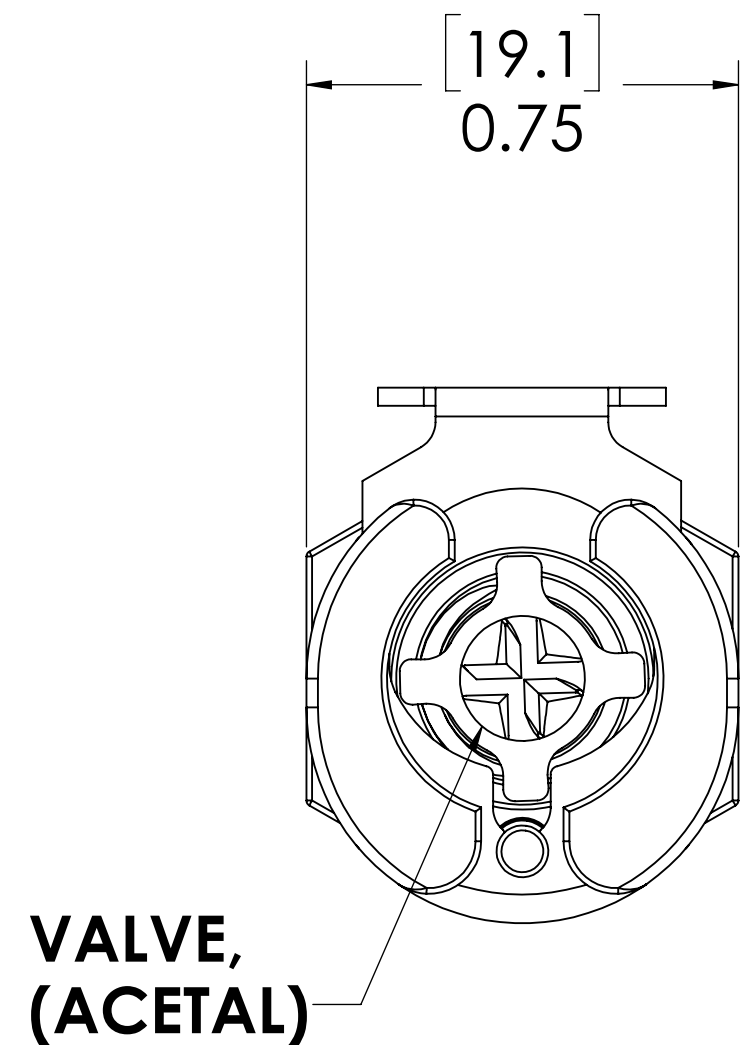
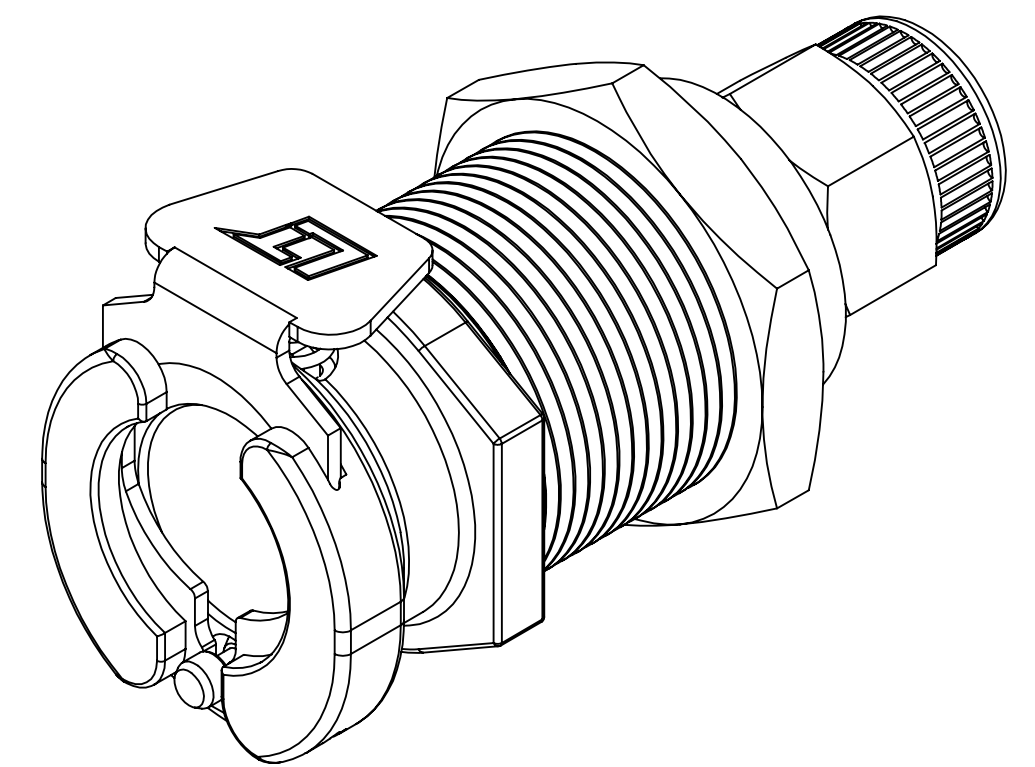


REVISIONS						
SHEET	ZONE	REV.	ECO	DESCRIPTION	DATE	APPROVED
1	ALL	B	50242	PIN, PIN SPRING AND FORMAT UPDATE	11/1/2017	HRC

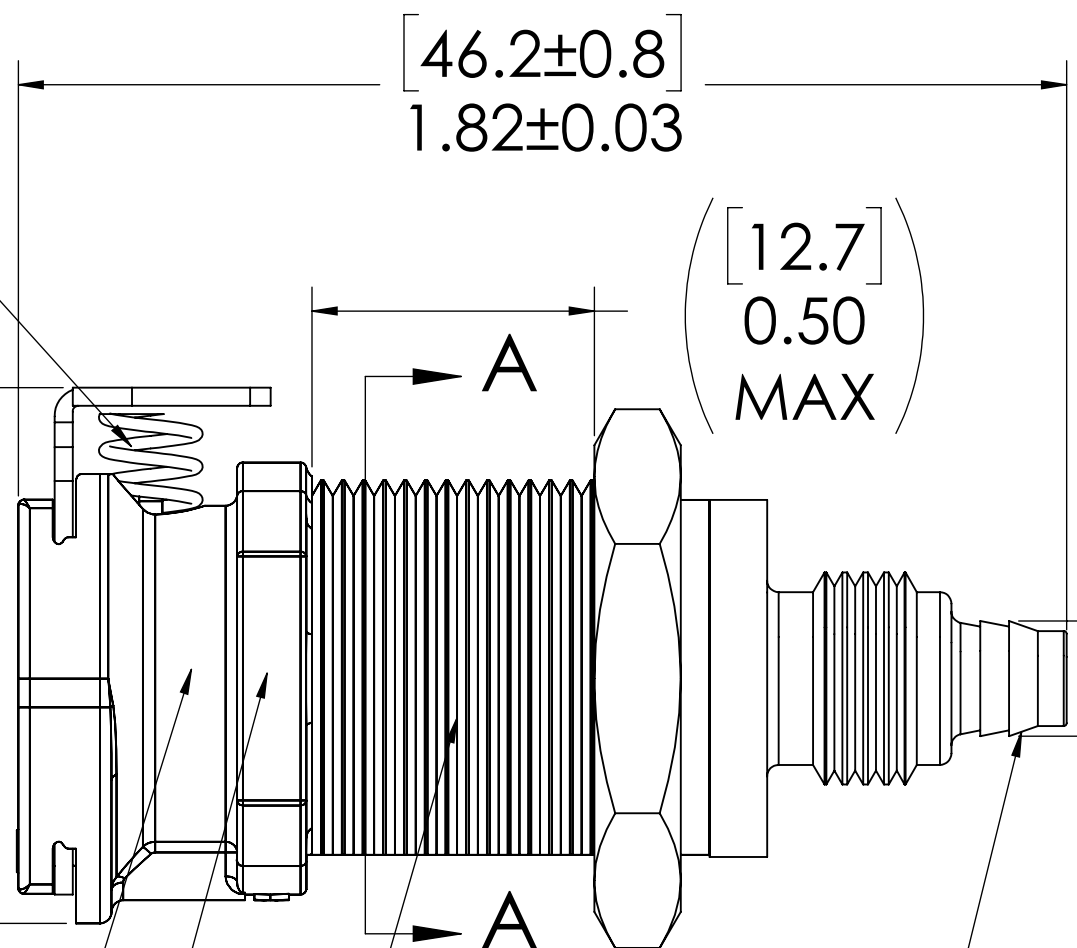


**LATCH HARDWARE,
(STAINLESS STEEL)**

**VALVE SPRING,
(STAINLESS STEEL)**

**INTERNAL O-RING,
(BUNA-N)**

11/16"-24 UNEF THREAD

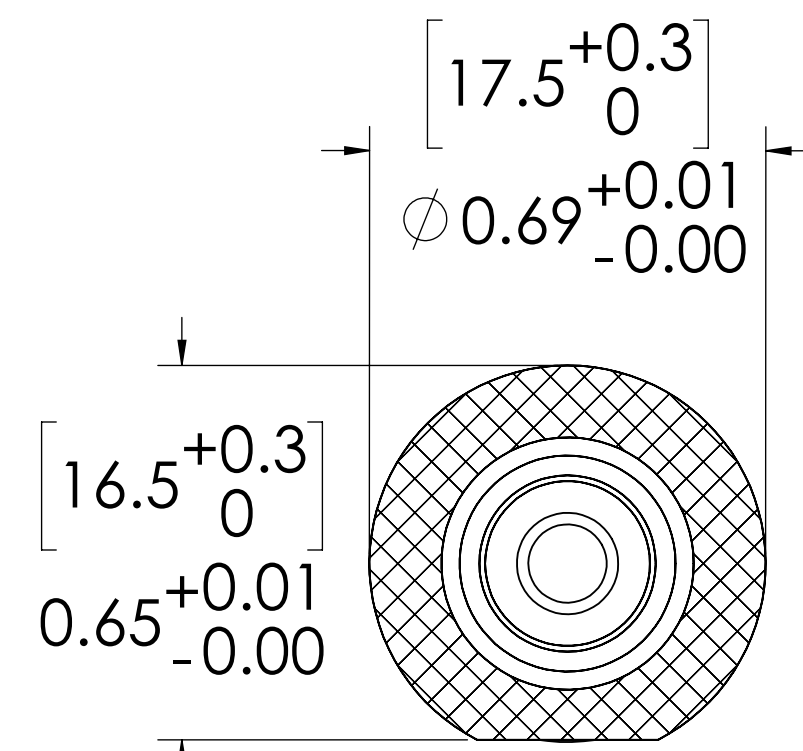


**[5.1]
Ø 0.20**

**PTF NUT
(PACKAGED SEPARATELY)**

1/4" TUBE OD

**PANEL NUT,
(BRASS, NICKEL PLATED)
(PACKAGED SEPARATELY)**



**PANEL OPENING
(SECTION A-A)**

NOTES:

- MATERIAL: ACETAL
- COLOR: NATURAL WHITE
- O-RING MATERIAL: BUNA-N
- O-RINGS LUBRICATED WITH FOOD GRADE SILICONE OIL, 350 CST.

FOR REFERENCE ONLY

<small>UNLESS OTHERWISE SPECIFIED: DIMENSIONS ARE IN INCHES TOLERANCES: FRACTIONAL ±1/32 ANGULAR, MACH ±0.5 BEND ±2 ONE PLACE DECIMAL ±0.1 TWO PLACE DECIMAL ±0.01 THREE PLACE DECIMAL ±0.005 TWO PLACE DUAL (mm) [±0.12]</small>	DRAWN	RDA	8/18/2017	
	CHECKED	HRC	8/18/2017	
	ENG APPR.	HRC	11-01-17	
	MFG APPR.	BDB	11-01-17	
<small>PROPRIETARY AND CONFIDENTIAL THE INFORMATION CONTAINED IN THIS DRAWING IS THE SOLE PROPERTY OF LINKTECH LLC. ANY REPRODUCTION OR DISCLOSURE IN PART OR AS A WHOLE WITHOUT THE WRITTEN PERMISSION OF LINKTECH LLC IS STRICTLY PROHIBITED.</small>	PURCHASING	RK	11-01-17	PART NO: 40ACV-SB8-04
<small>COMMENTS:</small>				DESCRIPTION: LinkTech 40AC Series Panel Mt. Female, Valved, 250 PTF, Natural Acetal
SIZE DWG. NO.		REV		C 40AC400113 B
<small>SCALE: NTS</small>		<small>WEIGHT:</small>		<small>SHEET 1 OF 1</small>