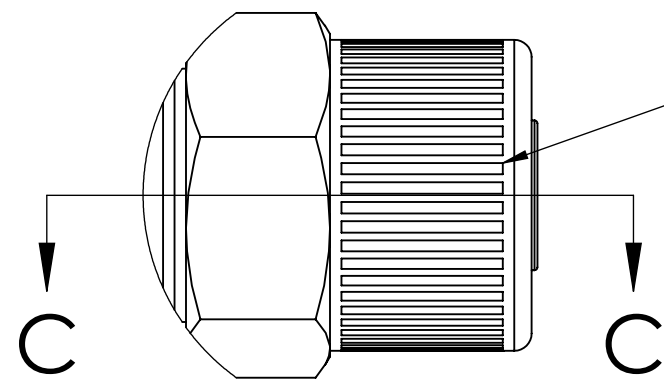
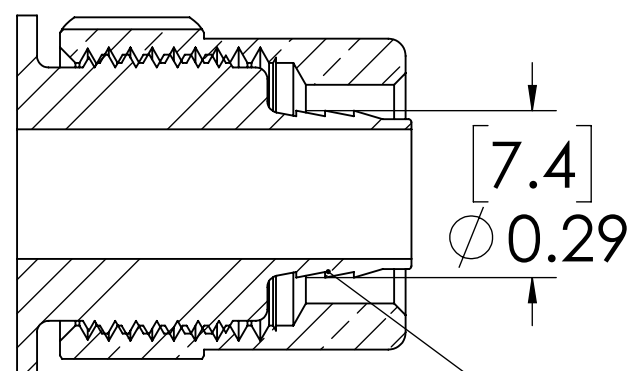


REVISIONS						
SHEET	ZONE	REV.	ECO	DESCRIPTION	DATE	APPROVED
1	ALL	A	50242	UPDATE DWGS TO CURRENT FORMAT & STANDARDS	10/12/2018	HRC



**PTF NUT
(BRASS, NICKEL PLATED)
(PACKAGED SEPARATELY)**

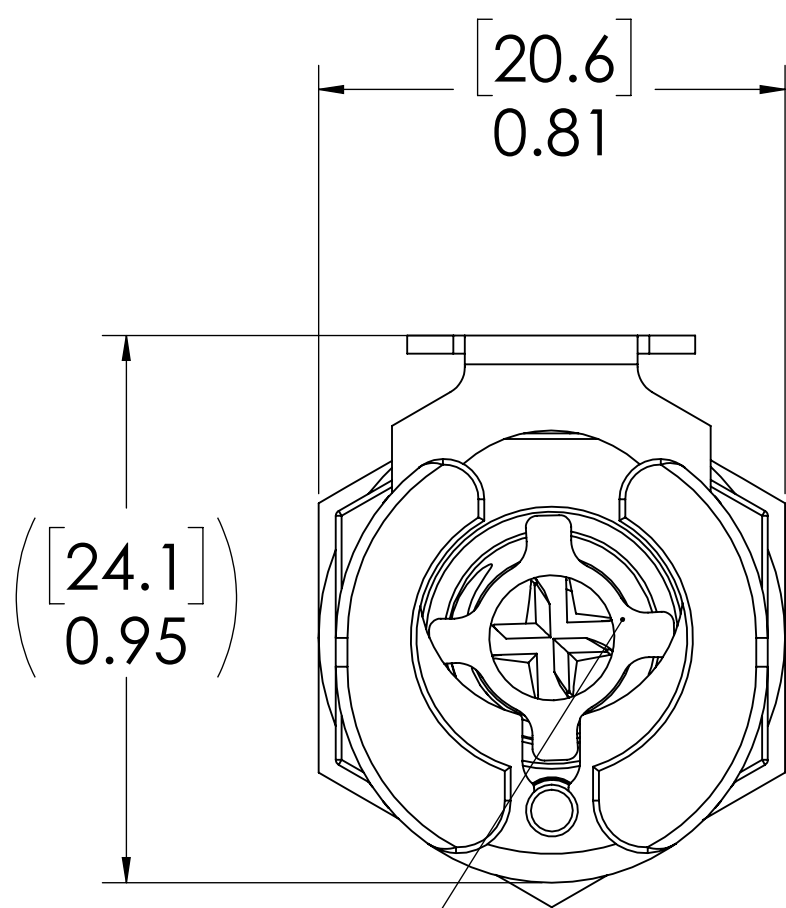
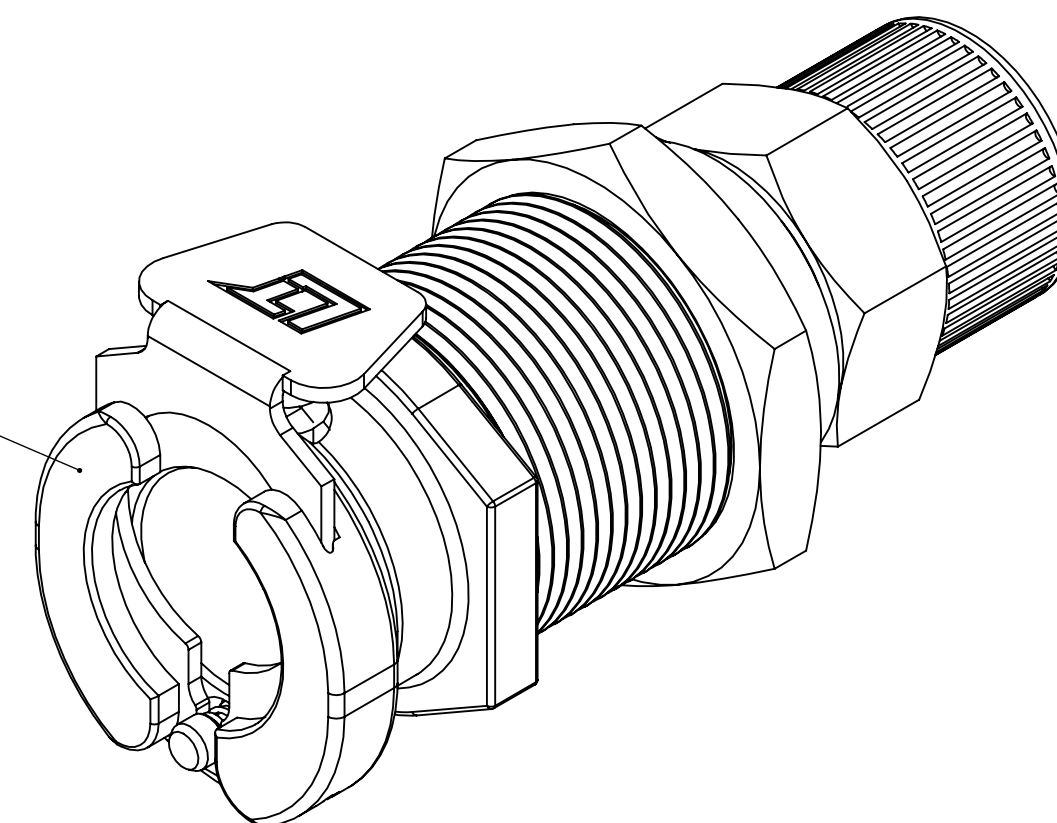
DETAIL A



3/8" TUBE OD

SECTION C-C

**SOCKET
(ACETAL)**



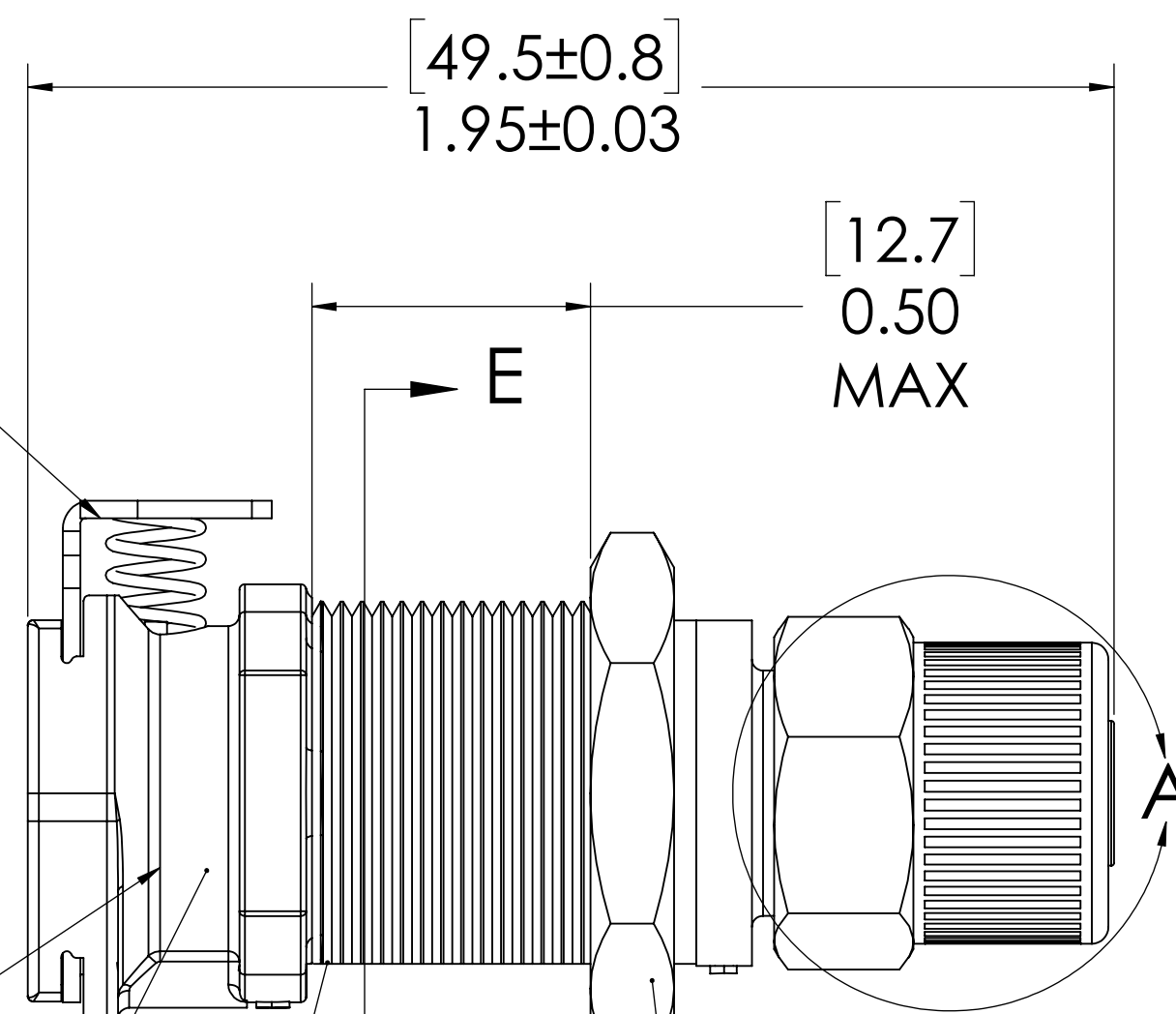
**VALVE
(ACETAL)**

**LATCH HARDWARE
(STAINLESS STEEL)**

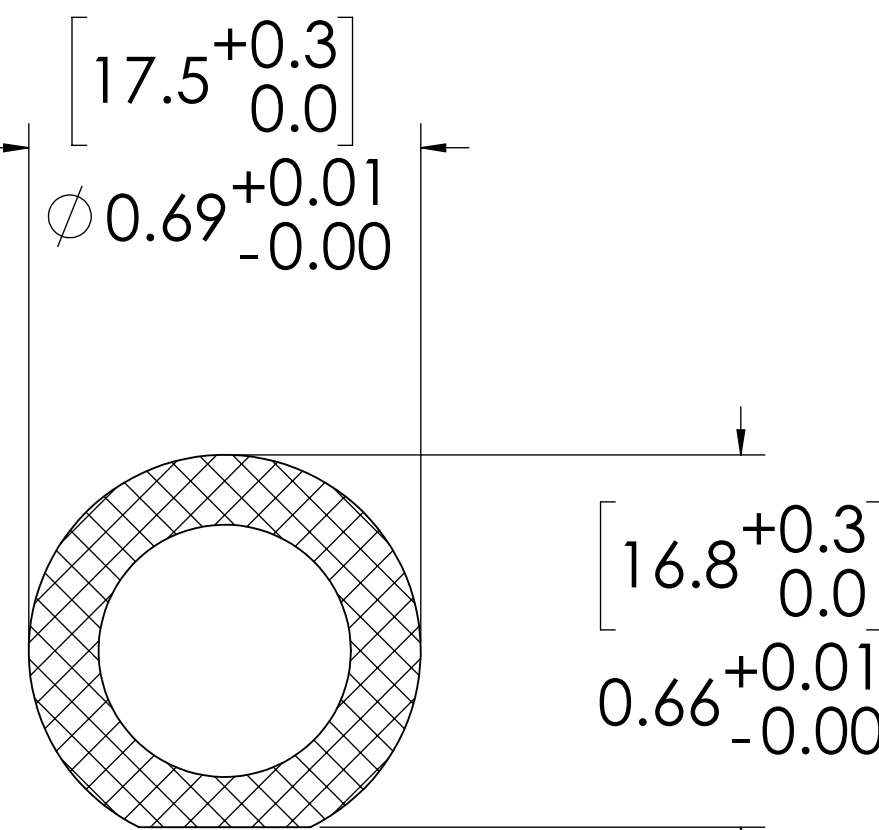
**VALVE O-RING,
INTERNAL,
(BUNA-N)**

**VALVE SPRING,
INTERNAL,
(STAINLESS STEEL)**

11/16"- 24 UNS THREAD



**PANEL NUT
(BRASS, NICKEL PLATED)
(PACKAGED SEPARATELY)**



**PANEL OPENING
(SECTION E-E)**

NOTES:

- MATERIAL: ACETAL
- COLOR: NATURAL WHITE
- O-RING MATERIAL: BUNA-N
- O-RINGS LUBRICATED WITH FOOD GRADE SILICONE OIL, 350 CST.

FOR REFERENCE ONLY

<small>UNLESS OTHERWISE SPECIFIED: DIMENSIONS ARE IN INCHES TOLERANCES: FRACTIONAL ±1/32 ANGULAR: MACH ±0.5 BEND ±2 ONE PLACE DECIMAL ±0.1 TWO PLACE DECIMAL ±0.01 THREE PLACE DECIMAL ±0.005 TWO PLACE DUAL (mm) [±0.12]</small>	DRAWN	LDM	12/4/17	
	CHECKED	HRC	12/4/17	
	ENG APPR.	HRC	10/12/18	
	MFG APPR.	BDB	10/12/18	
PRODUCTION	LS	10/12/18		PART NO: 40ACV-SB8-06 DESCRIPTION: LinkTech 40AC Series Panel Mt. Female, Valved, 3/8" PTF, Natural Acetal
<small>PROPRIETARY AND CONFIDENTIAL THE INFORMATION CONTAINED IN THIS DRAWING IS THE SOLE PROPERTY OF LINKTECH LLC. ANY REPRODUCTION OR DISCLOSURE IN PART OR AS A WHOLE WITHOUT THE WRITTEN PERMISSION OF LINKTECH LLC IS STRICTLY PROHIBITED.</small>				SIZE DWG. NO. REV C 40AC400246 A
<small>SCALE: NTS WEIGHT: SHEET 1 OF 1</small>				