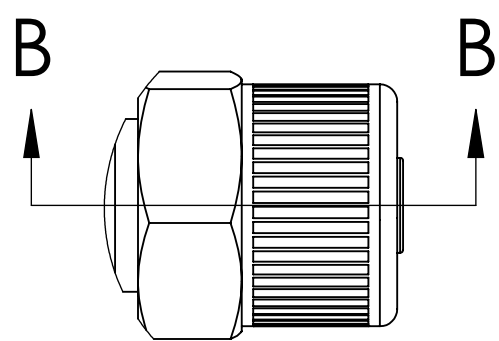
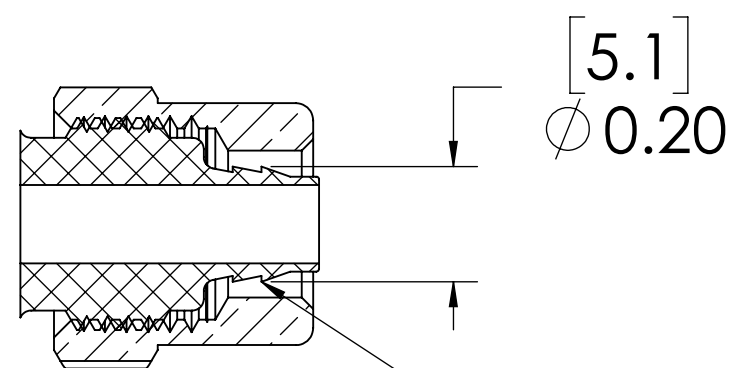


| REVISIONS |      |      |       |  |            |          |
|-----------|------|------|-------|--|------------|----------|
| SHEET     | ZONE | REV. | ECO   | DESCRIPTION                              | DATE       | APPROVED |
| 1         | ALL  | A    | 50242 | UPDATE DWG TO CURRENT FORMAT @ STANDARDS | 10/12/2018 | HRC      |

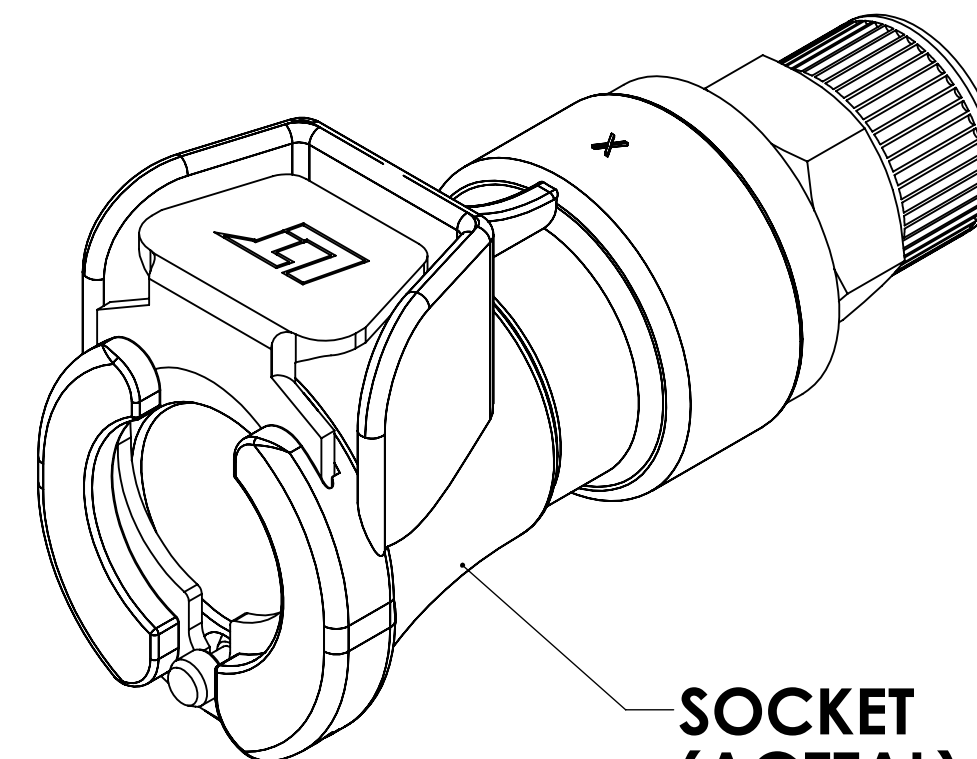


**DETAIL A**

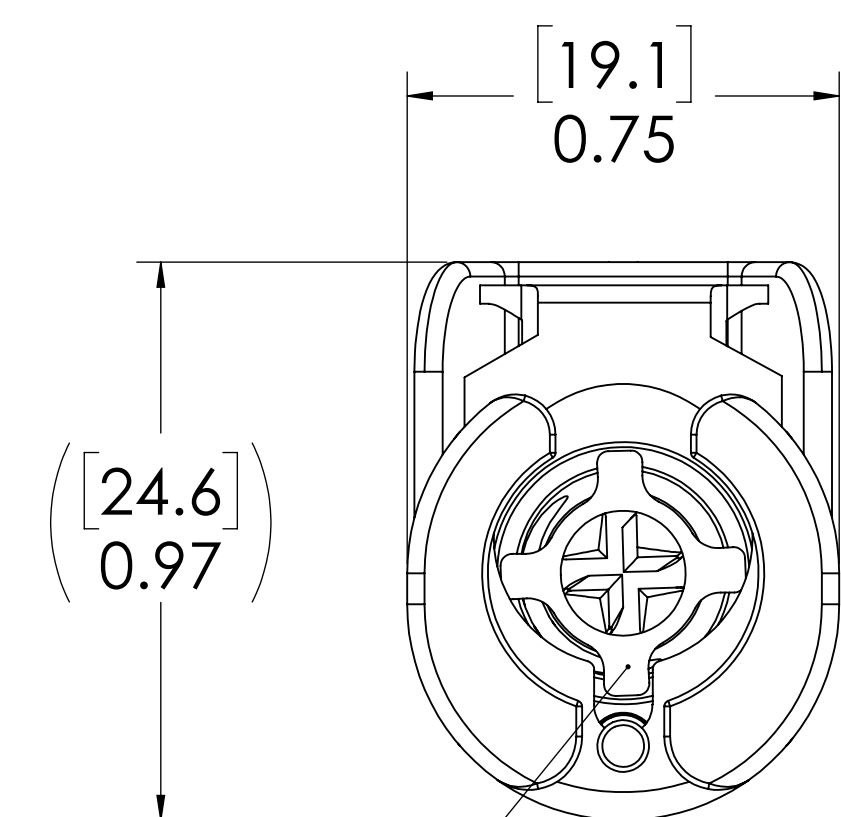


**SECTION B-B**

1/4" TUBE OD

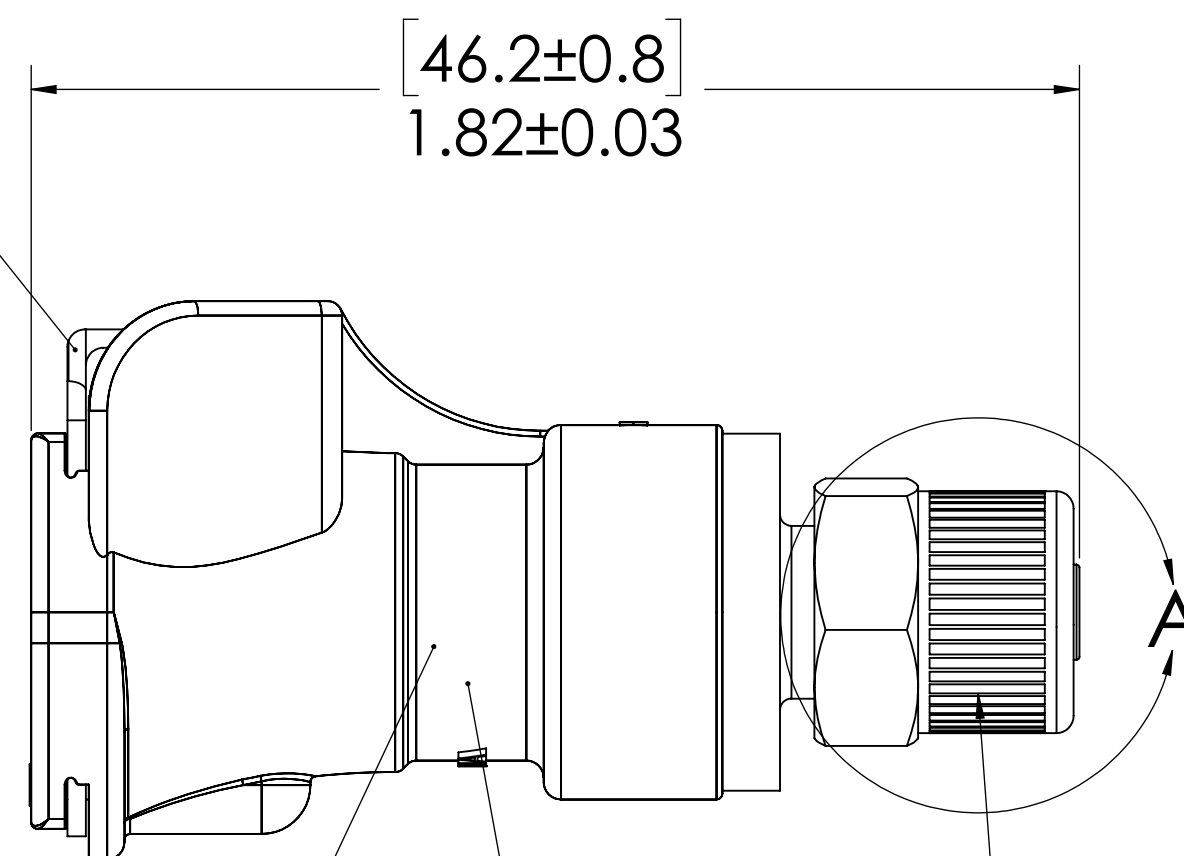


**SOCKET (ACETAL)**



**VALVE (ACETAL)**

**LATCH HARDWARE (STAINLESS STEEL)**



**VALVE O-RING INTERNAL (BUNA-N)**

**VALVE SPRING INTERNAL (STAINLESS STEEL)**

**PTF NUT (BRASS, NICKEL PLATED) (PACKAGED SEPARATELY)**

**NOTES:**

1. MATERIAL: ACETAL
2. COLOR: NATURAL WHITE
3. O-RING MATERIAL: BUNA-N
4. O-RINGS LUBRICATED WITH FOOD GRADE SILICONE OIL, 350 CST.

**FOR REFERENCE ONLY**

|   |            |                 |                 |  |
|---|------------|-----------------|-----------------|--|
| <small>UNLESS OTHERWISE SPECIFIED:<br/>         DIMENSIONS ARE IN INCHES<br/>         TOLERANCES:<br/>         FRACTIONAL ±1/32<br/>         ANGULAR: MACH ±0.5 BEND ±2<br/>         ONE PLACE DECIMAL ±0.1<br/>         TWO PLACE DECIMAL ±0.01<br/>         THREE PLACE DECIMAL ±0.005<br/>         TWO PLACE DUAL (mm) [±0.12]</small> | DRAWN      | <b>LDM</b>      | <b>12/4/17</b>  |  |
|   | CHECKED    | <b>HRC</b>      | <b>12/4/17</b>  |  |
|   | ENG APPR.  | <b>HRC</b>      | <b>10/12/18</b> |  |
|   | MFG APPR.  | <b>BDB</b>      | <b>10/12/18</b> |  |
| PRODUCTION  | <b>LS</b>  | <b>10/12/18</b> |                 | PART NO: <b>40ACV-SB9-04</b><br>DESCRIPTION: <b>LinkTech 40AC Series Straight Female, Valved, 1/4" PTF, Natural Acetal</b> |
| <small>PROPRIETARY AND CONFIDENTIAL<br/>         THE INFORMATION CONTAINED IN THIS DRAWING IS THE SOLE PROPERTY OF LINKTECH LLC. ANY REPRODUCTION OR DISCLOSURE IN PART OR AS A WHOLE WITHOUT THE WRITTEN PERMISSION OF LINKTECH LLC IS STRICTLY PROHIBITED.</small>  | COMMENTS:  |                 |                 | SIZE <b>C</b> DWG. NO. <b>40AC400247</b> REV <b>A</b>  |
|   | SCALE: NTS | WEIGHT:         |                 | SHEET 1 OF 1   |
|   |            |                 |                 |  |