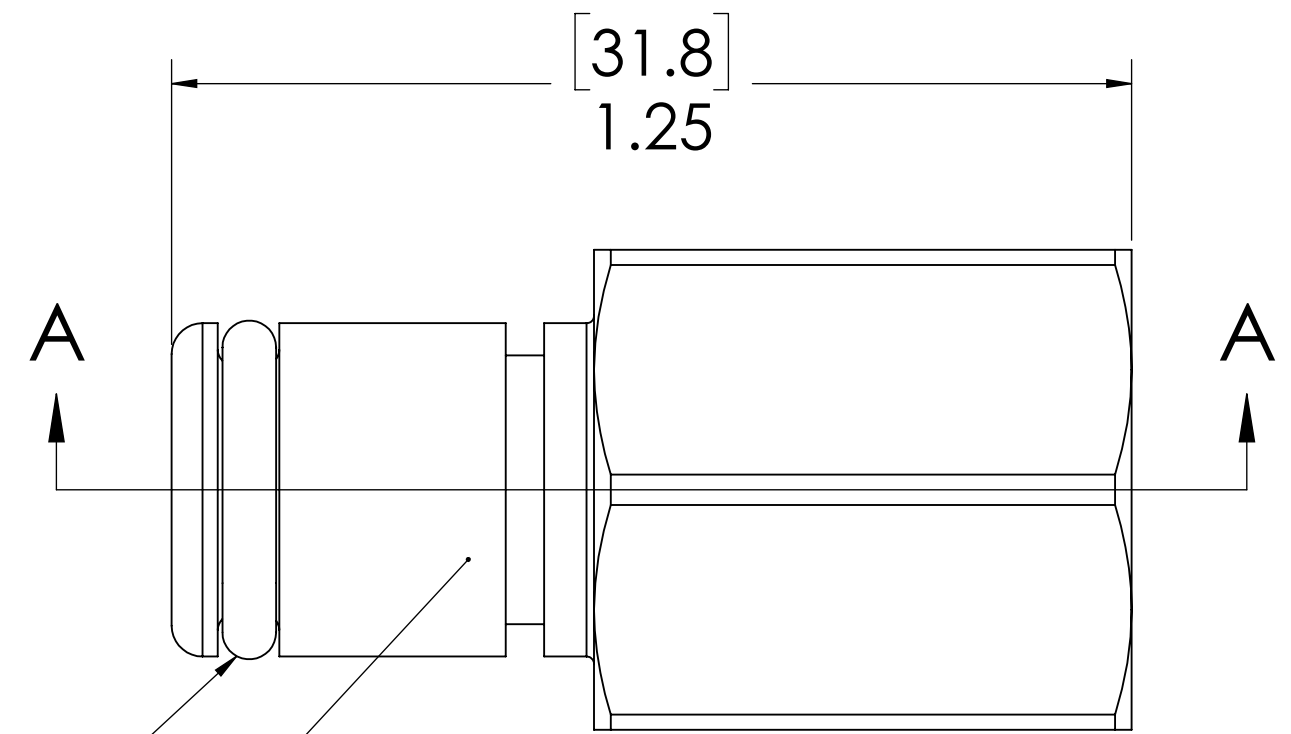
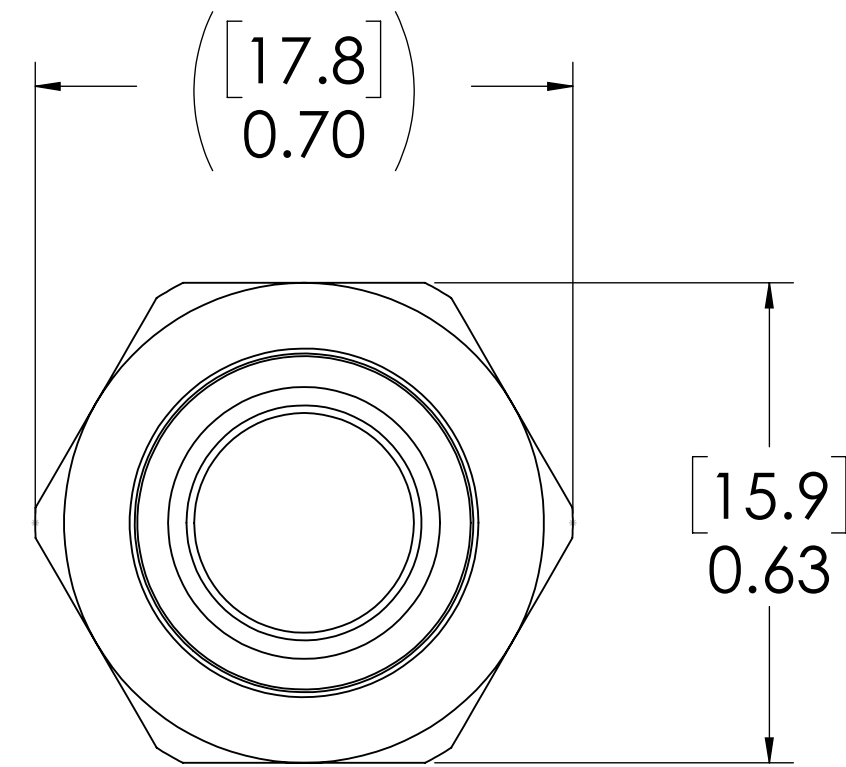
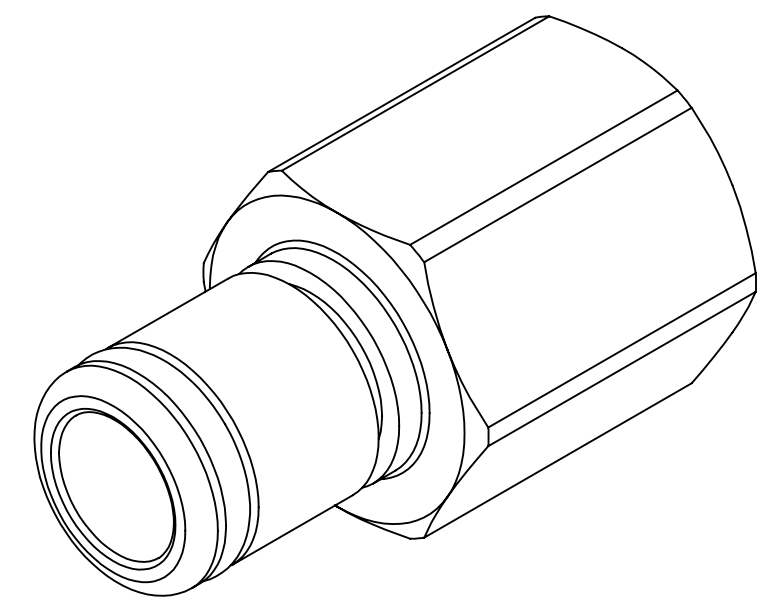


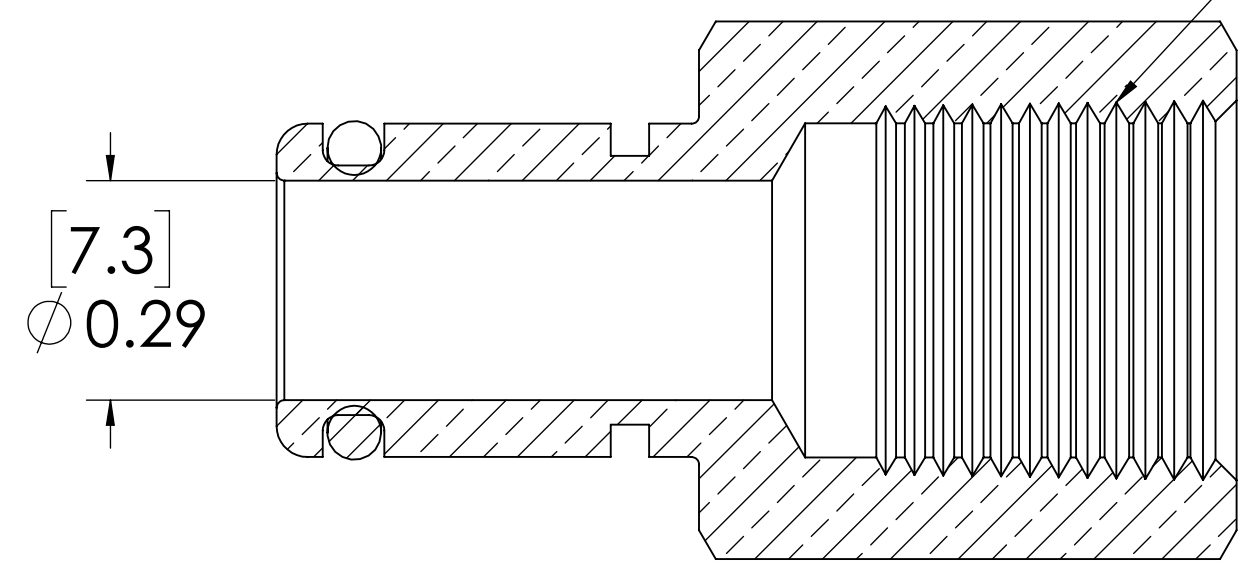
REVISIONS						
SHEET	ZONE	REV.	ECO	DESCRIPTION	DATE	APPROVED
1	ALL	A	50253	DWG DRAFTING UPDATE	8/2/2018	HRC



O-RING
(BUNA-N)

PLUG, (BRASS, NICKEL
AND CHROME PLATED)

1/4" NPT
(PIPE THREAD)



SECTION A-A

NOTES:

- MATERIAL: BRASS
- FINISH: CHROME
- O-RING MATERIAL: BUNA-N
- O-RINGS LUBRICATED WITH FOOD GRADE SILICONE OIL, 350 CST.

FOR REFERENCE ONLY

<small>UNLESS OTHERWISE SPECIFIED: DIMENSIONS ARE IN INCHES TOLERANCES: FRACTIONAL ± 1/32 ANGULAR: MACH ± 0.5 BEND ± 2 ONE PLACE DECIMAL ± 0.1 TWO PLACE DECIMAL ± 0.01 THREE PLACE DECIMAL ± 0.005 TWO PLACE DUAL (mm) [± 0.12]</small>	DRAWN	CBH	8/1/2017	
	CHECKED	HRC	8/1/2017	
	ENG APPR.	HRC	8/2/18	
	MFG APPR.	BDB	8/2/18	
PRODUCTION	LS	8/2/18		PART NO: 40CB-PB13-04 <small>DESCRIPTION: LinkTech 40CB Series Female Thread Male, Non-valved, 1/4" FNPT, Chrome Brass</small>
<small>PROPRIETARY AND CONFIDENTIAL THE INFORMATION CONTAINED IN THIS DRAWING IS THE SOLE PROPERTY OF LINKTECH LLC. ANY REPRODUCTION OR DISCLOSURE IN PART OR AS A WHOLE WITHOUT THE WRITTEN PERMISSION OF LINKTECH LLC IS STRICTLY PROHIBITED.</small>				<small>COMMENTS:</small>
<small>SCALE: NTS</small>		<small>DWG. NO.</small> C 40CB400041		<small>REV</small> A
<small>WEIGHT:</small>		<small>SHEET 1 OF 1</small>		