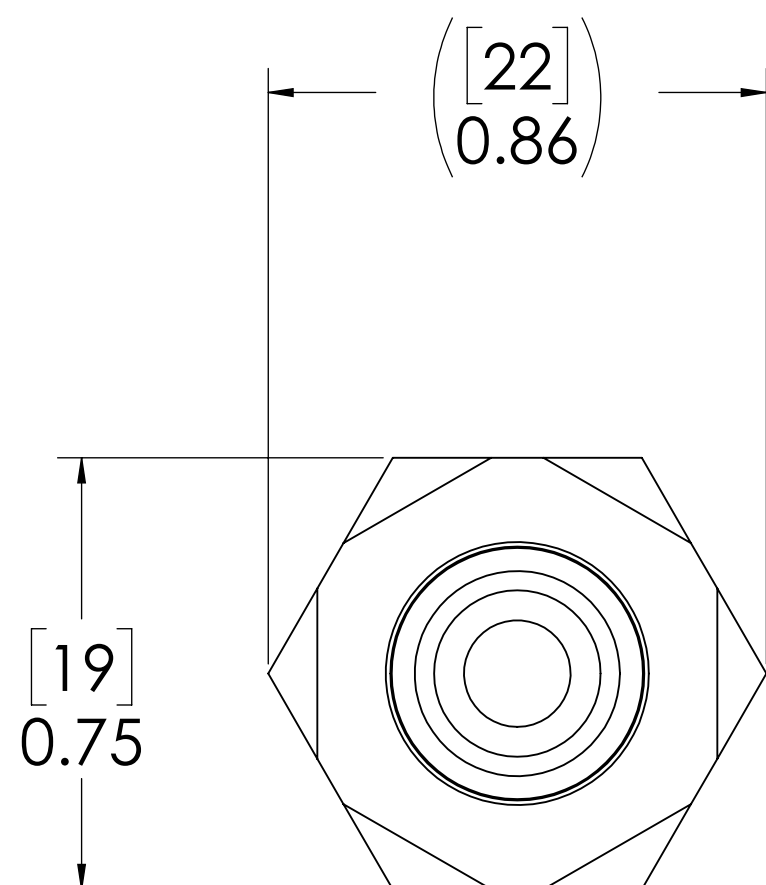
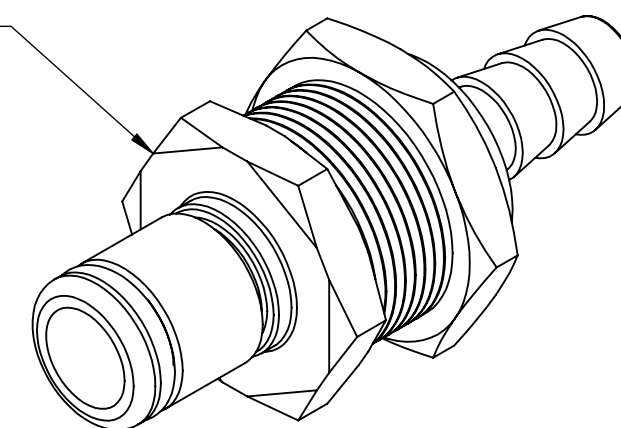
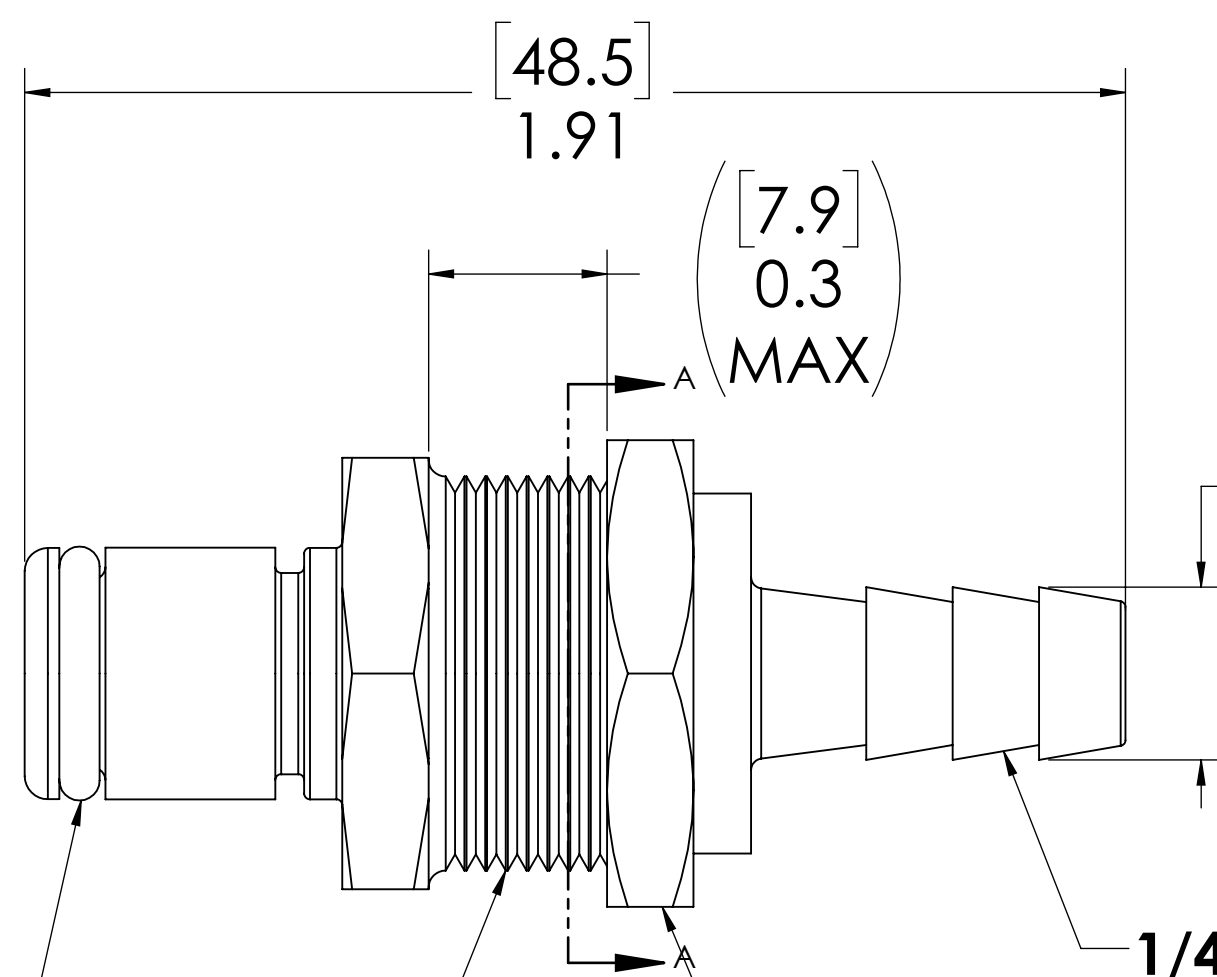


REVISIONS						
SHEET	ZONE	REV.	ECO	DESCRIPTION	DATE	APPROVED
1	ALL	A	50253	2017 FORMAT UPDATE	3/8/2018	HRC

**PLUG,
(BRASS, NICKEL
& CHROME PLATED)**



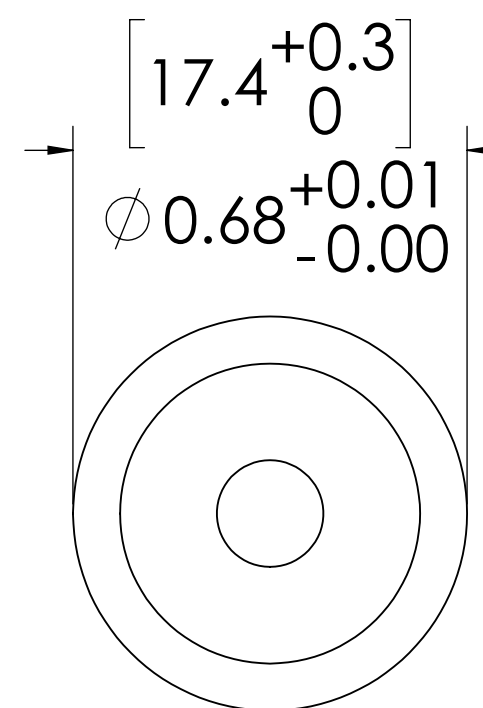
**EXTERNAL O-RING
(BUNA-N)**



**PANEL NUT
(BRASS,
NICKEL PLATED, 13/16" HEX)
PACKAGED SEPARATELY**

11/16"-24 UNS THREAD

1/4" TUBE ID



**PANEL OPENING
(SECTION A-A)**

NOTES:

- MATERIAL: BRASS
- FINISH: CHROME
- O-RING MATERIAL: BUNA-N
- O-RINGS LUBRICATED WITH FOOD GRADE SILICONE OIL, 350 CST.

FOR REFERENCE ONLY

<small>UNLESS OTHERWISE SPECIFIED: DIMENSIONS ARE IN INCHES TOLERANCES: FRACTIONAL ± 1/32 ANGULAR, MACH ± 0.5 BEND ± 2 ONE PLACE DECIMAL ± 0.1 TWO PLACE DECIMAL ± 0.01 THREE PLACE DECIMAL ± 0.005 TWO PLACE DUAL (mm) [± 0.12]</small>	DRAWN	RDA	DATE	
	CHECKED	HRC	7/10/2017	
	ENG APPR.	HRC	03-08-18	
	MFG APPR.	BDB	03-08-18	
<small>PROPRIETARY AND CONFIDENTIAL THE INFORMATION CONTAINED IN THIS DRAWING IS THE SOLE PROPERTY OF LINKTECH LLC. ANY REPRODUCTION OR DISCLOSURE IN PART OR AS A WHOLE WITHOUT THE WRITTEN PERMISSION OF LINKTECH LLC IS STRICTLY PROHIBITED.</small>	PURCHASING	RK	03-08-18	PART NO: 40CB-PB3-04 DESCRIPTION: LinkTech 40CB Series Panel Mt. Male, Non-valved, 250 HB, Chrome Brass
SIZE DWG. NO. REV C 40CB400220 A		SCALE: NTS WEIGHT:		SHEET 1 OF 1