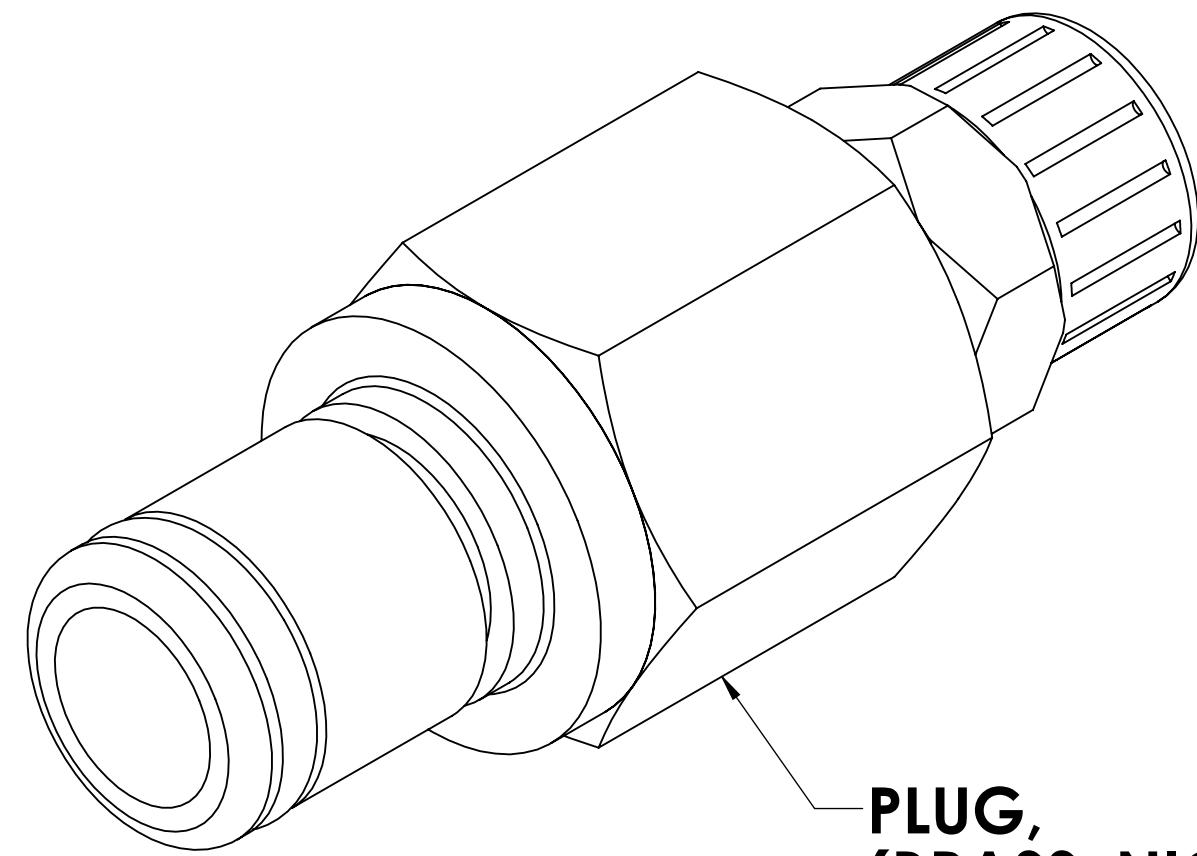
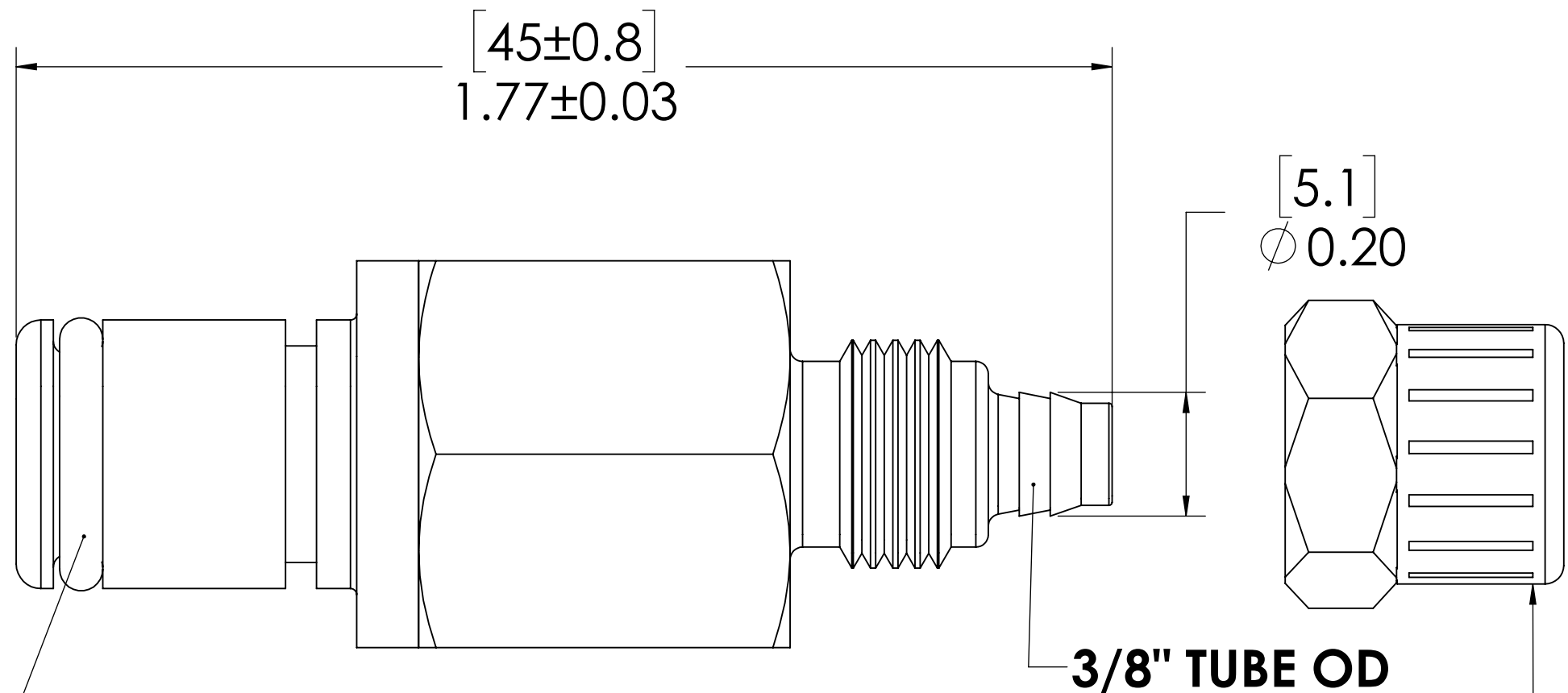


REVISIONS						
SHEET	ZONE	REV.	ECO	DESCRIPTION	DATE	APPROVED
1	ALL	A	50253	INITIAL RELEASE	10/16/2018	HRC

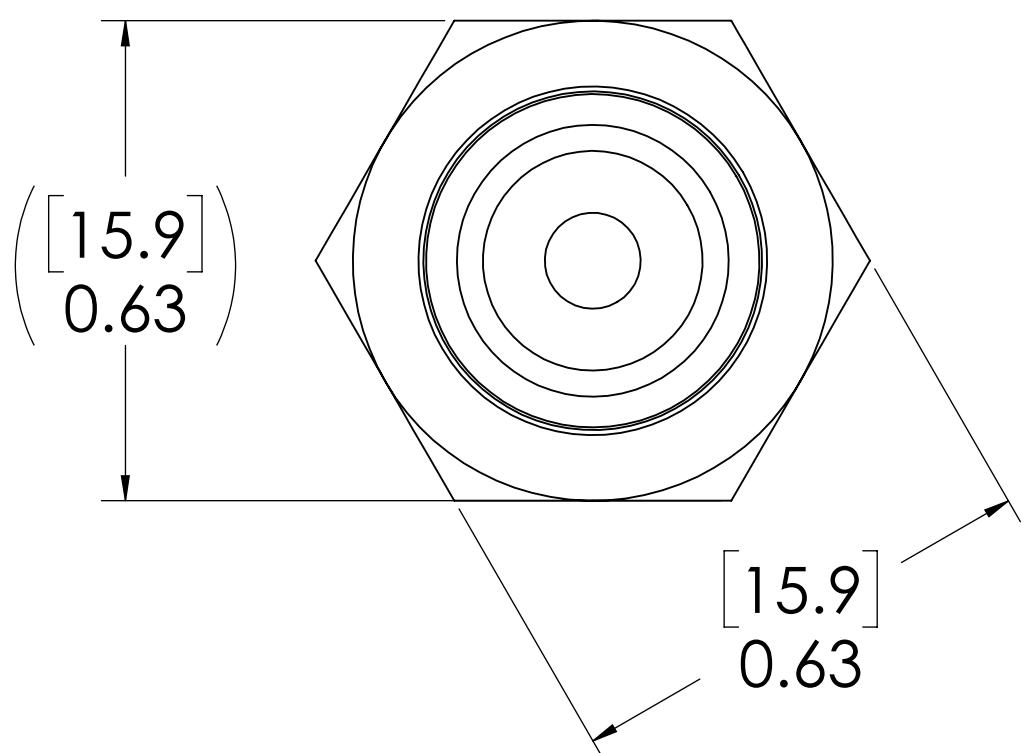


**PLUG,  
(BRASS, NICKEL AND  
CHROME PLATED)**



**PTF NUT,  
(BRASS, NICKEL PLATED)  
(PACKAGED SEPERATELY)**

**O-RING,  
(BUNA-N)**



- NOTES:**
1. MATERIAL: BRASS
  2. FINISH: CHROME
  3. O-RING MATERIAL: BUNA-N
  4. O-RINGS LUBRICATED WITH FOOD GRADE SILICONE OIL, 350 CST.

**FOR REFERENCE ONLY**

<small>UNLESS OTHERWISE SPECIFIED: DIMENSIONS ARE IN INCHES TOLERANCES: FRACTIONAL <math>\pm 1/32</math> ANGULAR: MACH <math>\pm 0.5</math> BEND <math>\pm 2</math> ONE PLACE DECIMAL <math>\pm 0.1</math> TWO PLACE DECIMAL <math>\pm 0.01</math> THREE PLACE DECIMAL <math>\pm 0.005</math> TWO PLACE DUAL (mm) <math>\pm 0.12</math></small>	<small>DRAWN</small> DHJ 6/30/09	<small>NAME</small> DHJ 6/30/09		
	<small>CHECKED</small> DHJ 6/30/09	<small>DATE</small> 6/30/09		<small>PART NO:</small> 40CB-PB9-04
	<small>ENG APPR.</small> HRC 10/16/18	<small>DESCRIPTION:</small> LinkTech 40CB Series Straight Male, Non-valved, 1/4" PTF, Chrome Brass		
	<small>MFG APPR.</small> BDB 10/16/18	<small>PRODUCTION</small> LS 10/16/18		<small>SIZE</small> C 40CB400061
<small>PROPRIETARY AND CONFIDENTIAL</small> THE INFORMATION CONTAINED IN THIS DRAWING IS THE SOLE PROPERTY OF LINKTECH LLC. ANY REPRODUCTION OR DISCLOSURE IN PART OR AS A WHOLE WITHOUT THE WRITTEN PERMISSION OF LINKTECH LLC IS STRICTLY PROHIBITED.	<small>COMMENTS:</small>	<small>REV</small> A	<small>SCALE: NTS</small>   <small>WEIGHT:</small>   <small>SHEET 1 OF 1</small>	