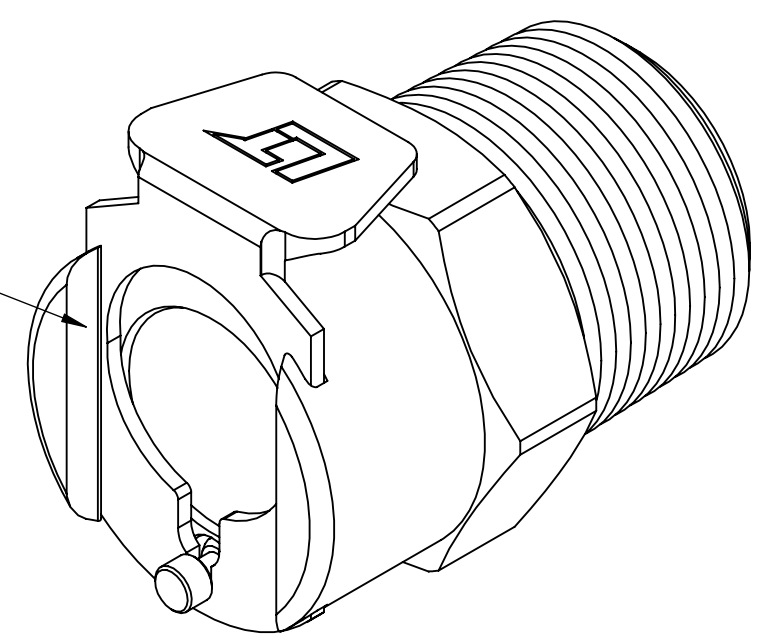
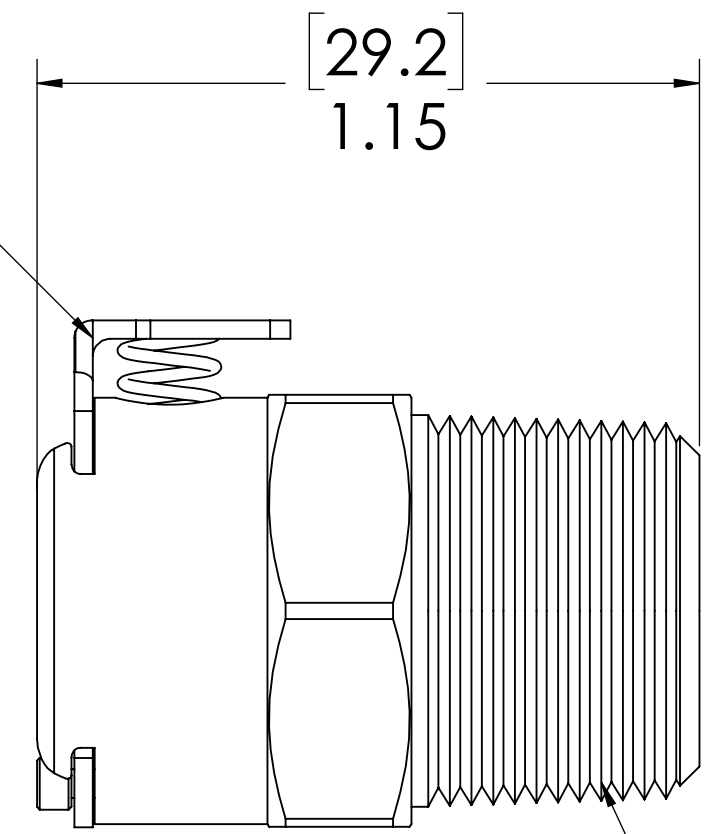


REVISIONS						
SHEET	ZONE	REV.	ECO	DESCRIPTION	DATE	APPROVED
1	ALL	A	50242	PIN, PIN SPRING & 2017 FORMAT UPDATE	10/18/2018	HRC

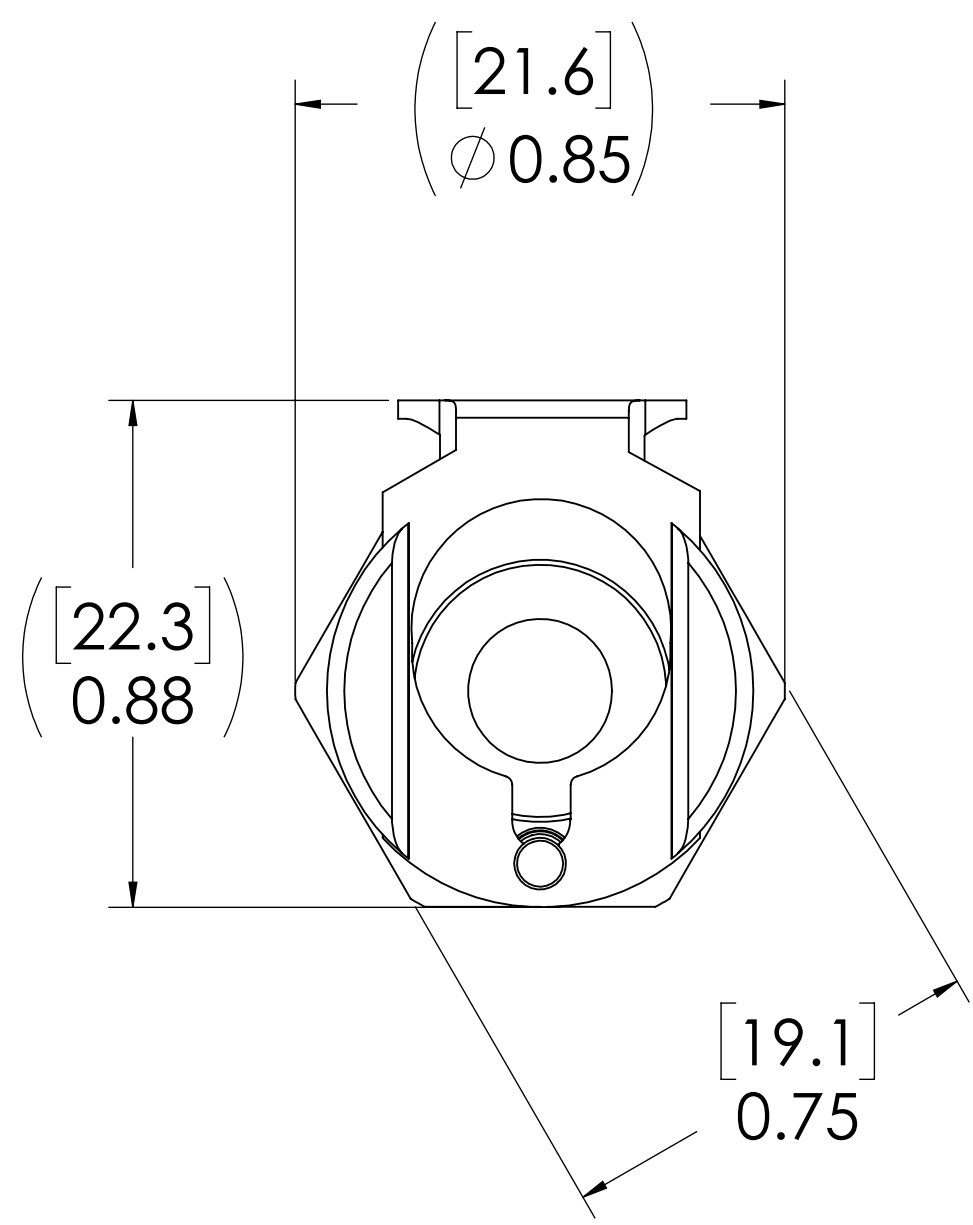
**SOCKET
(BRASS, NICKEL &
CHROME PLATED)**



**LATCH HARDWARE
(STAINLESS STEEL)**




**3/8" NPT
(PIPE THREAD)**



- NOTES:**
- MATERIAL: BRASS
 - FINISH: CHROME

FOR REFERENCE ONLY

UNLESS OTHERWISE SPECIFIED: DIMENSIONS ARE IN INCHES TOLERANCES: FRACTIONAL ± 1/32 ANGULAR, MACH ± 0.5 BEND ± 2 ONE PLACE DECIMAL ± 0.1 TWO PLACE DECIMAL ± 0.01 THREE PLACE DECIMAL ± 0.005 TWO PLACE DUAL (mm) [± 0.12]	DRAWN	LDM	1/11/2018	 PART NO: 40CB-S1-06 DESCRIPTION: LinkTech 40CB Series Male Thread Female, Non-valved, 3/8" MNPT, Chrome Brass
	CHECKED	HRC	1/11/2018	
	ENG APPR.	HRC	10/18/18	
	MFG APPR.	BDB	10/18/18	
PROPRIETARY AND CONFIDENTIAL THE INFORMATION CONTAINED IN THIS DRAWING IS THE SOLE PROPERTY OF LINKTECH LLC. ANY REPRODUCTION OR DISCLOSURE IN PART OR AS A WHOLE WITHOUT THE WRITTEN PERMISSION OF LINKTECH LLC IS STRICTLY PROHIBITED.	PRODUCTION	LS	10/18/18	SIZE DWG. NO. REV C 40CB400245 A
	COMMENTS:			SCALE: NTS WEIGHT: SHEET 1 OF 1