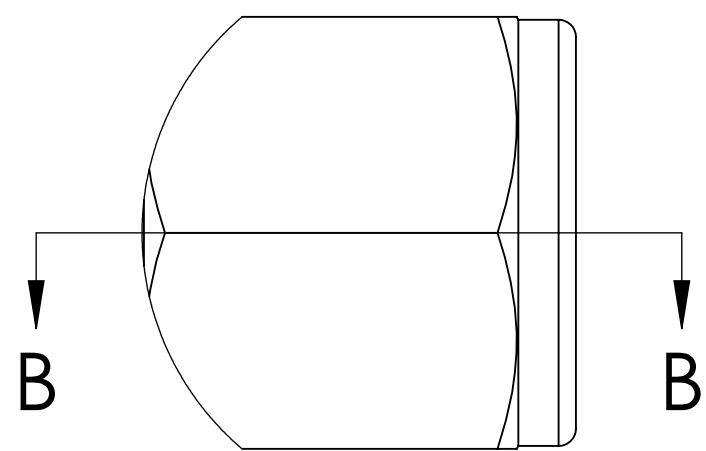
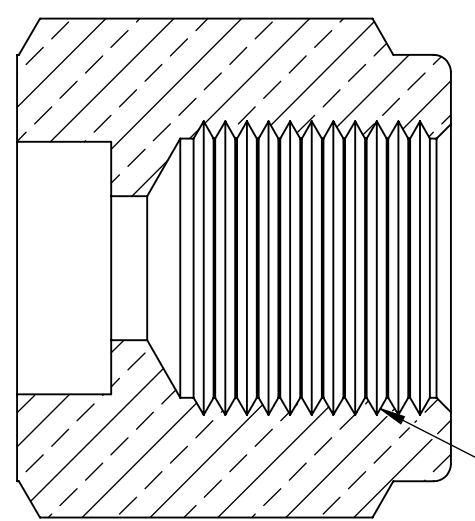


REVISIONS						
SHEET	ZONE	REV.	ECO	DESCRIPTION	DATE	APPROVED
1	ALL	A	50242	PIN, PIN SPRING & 2017 FORMAT UPDATE	10/18/2018	HRC



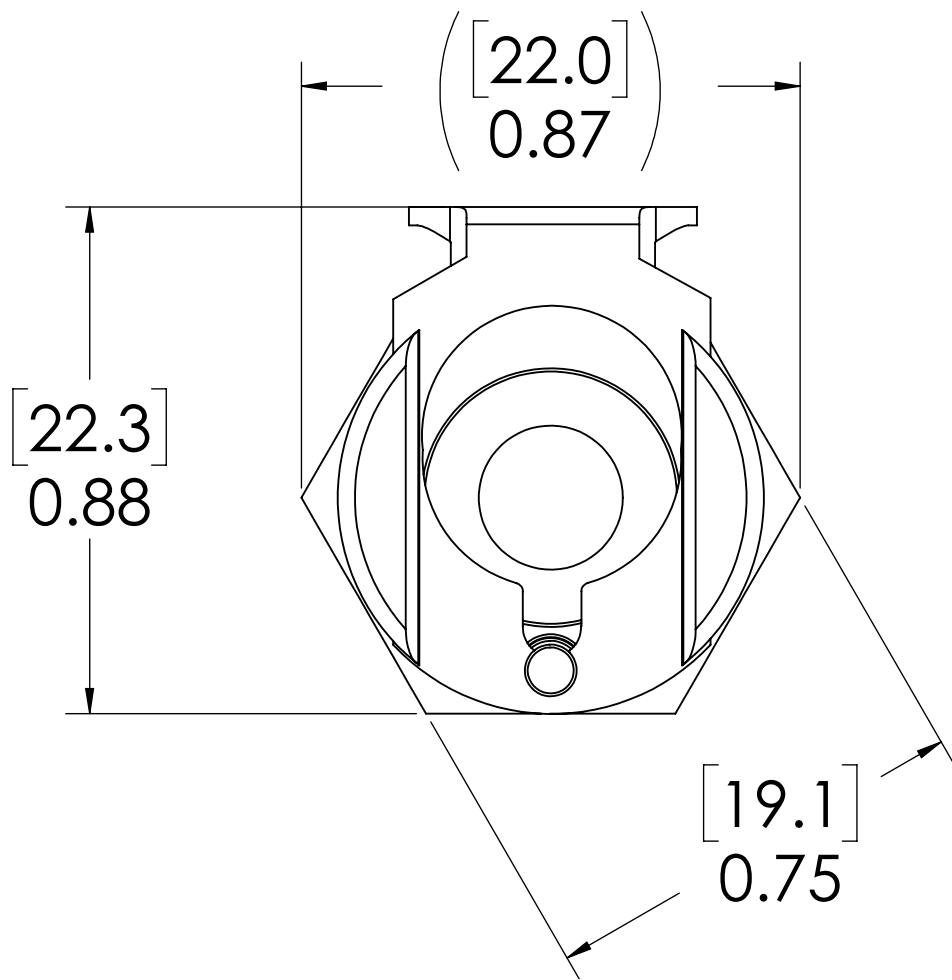
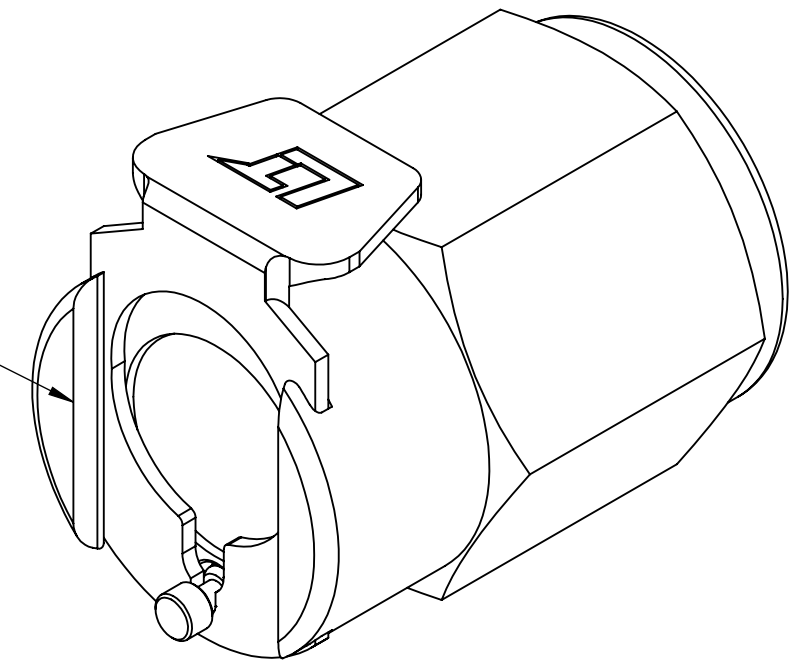
DETAIL A



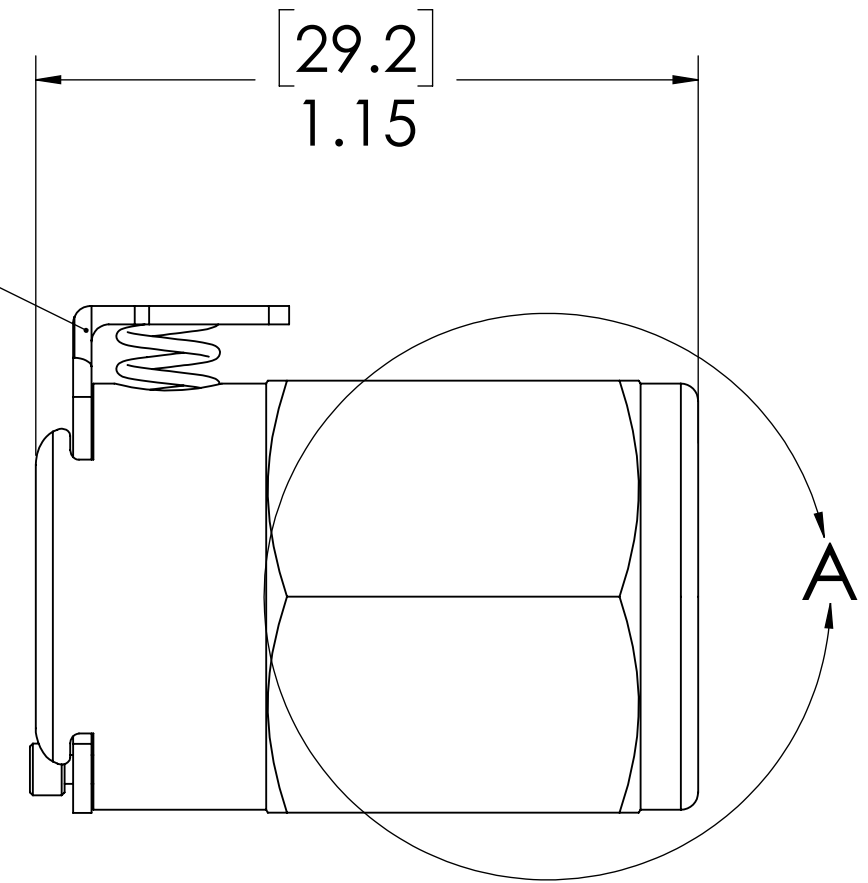
SECTION B-B

**1/4" FNPT
(PIPE THREAD)**

**SOCKET
(BRASS, NICKEL &
CHROME PLATED)**




**LATCH HARDWARE
(STAINLESS STEEL)**



- NOTES:**
- MATERIAL: BRASS
 - FINISH: CHROME

FOR REFERENCE ONLY

<small>UNLESS OTHERWISE SPECIFIED: DIMENSIONS ARE IN INCHES TOLERANCES: FRACTIONAL ± 1/32 ANGULAR: MACH ± 0.5 BEND ± 2 ONE PLACE DECIMAL ± 0.1 TWO PLACE DECIMAL ± 0.01 THREE PLACE DECIMAL ± 0.005 TWO PLACE DUAL (mm) [±0.12]</small>	DRAWN	LDM	7/12/2017	 PART NO: 40CB-S13-04 DESCRIPTION: LinkTech 40CB Series Straight Female, Non-valved, Female Thread 1/4" FNPT, Chrome Brass
	CHECKED	HRC	7/12/2017	
	ENG APPR.	HRC	10/18/18	
	MFG APPR.	BDB	10/18/18	
PRODUCTION	LS	10/18/18		<small>PROPRIETARY AND CONFIDENTIAL</small> <small>THE INFORMATION CONTAINED IN THIS DRAWING IS THE SOLE PROPERTY OF LINKTECH LLC. ANY REPRODUCTION OR DISCLOSURE IN PART OR AS A WHOLE WITHOUT THE WRITTEN PERMISSION OF LINKTECH LLC IS STRICTLY PROHIBITED.</small>
COMMENTS:				SIZE DWG. NO. REV C 40CB400247 A
SCALE: NTS		WEIGHT:		SHEET 1 OF 1