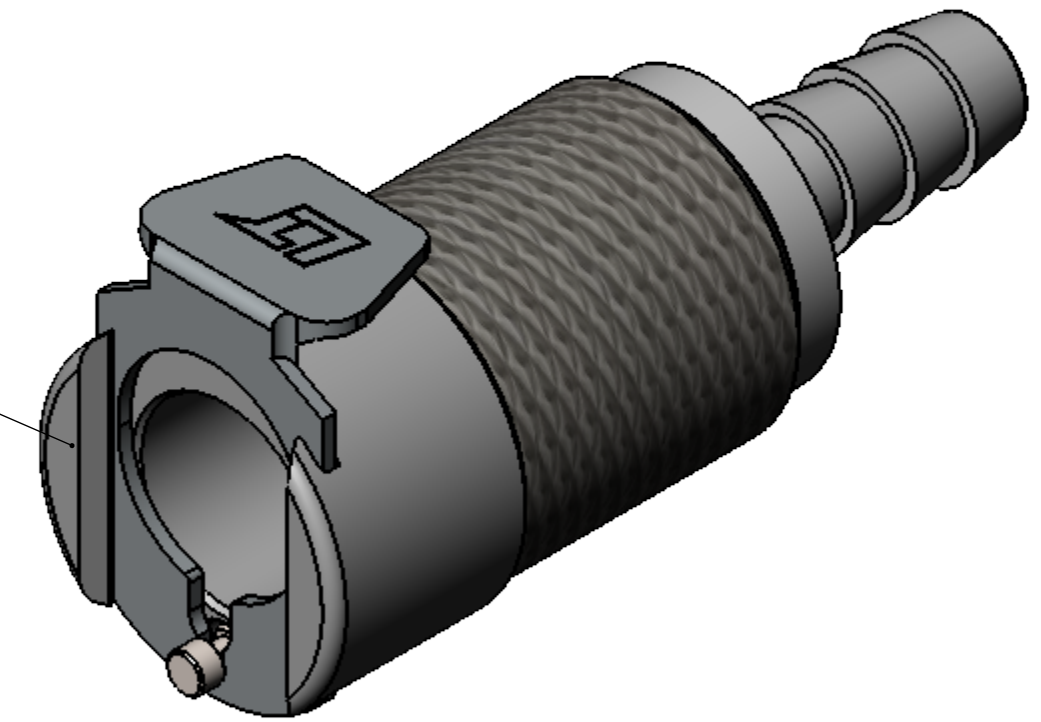
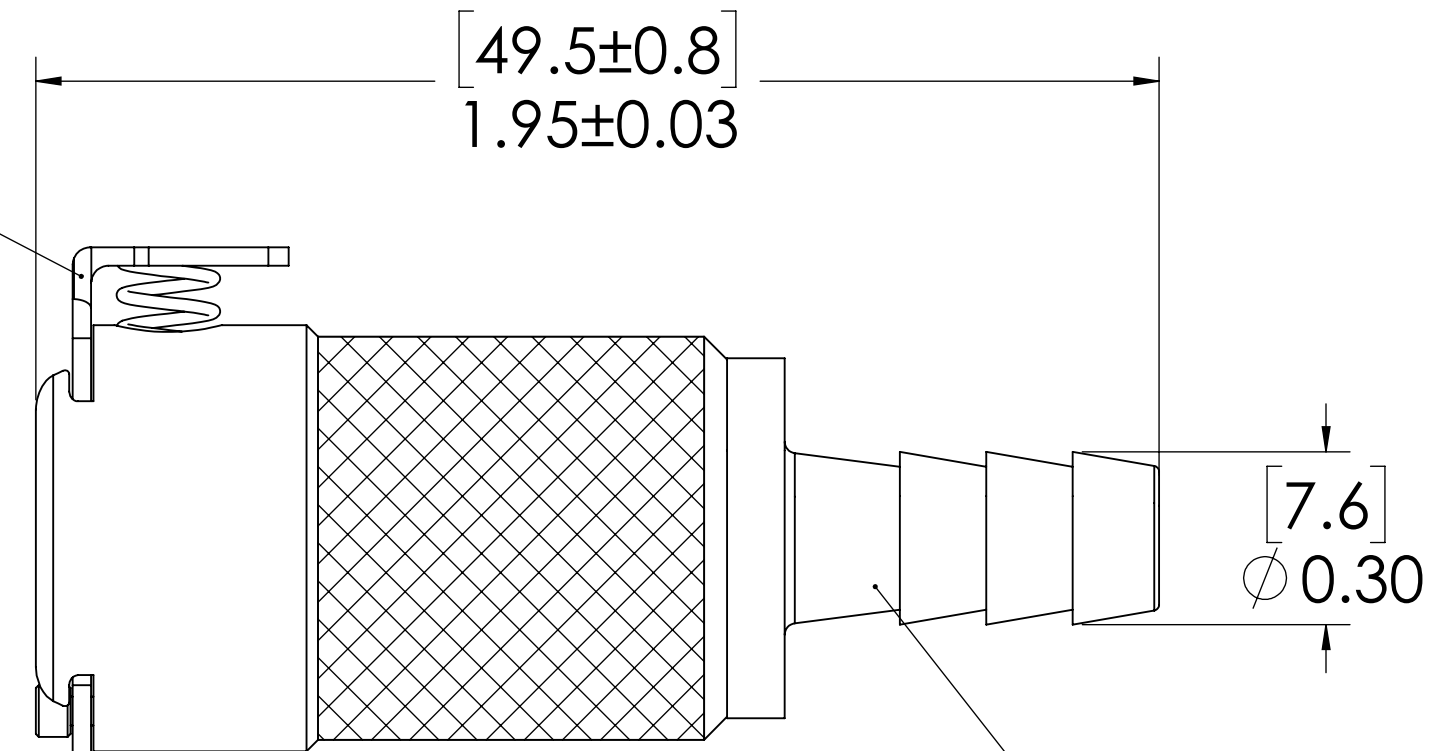


REVISIONS						
SHEET	ZONE	REV.	ECO	DESCRIPTION	DATE	APPROVED
1	ALL	A	50242	PIN, PIN SPRING & 2017 FORMAT UPDATE	10/18/2018	HRC

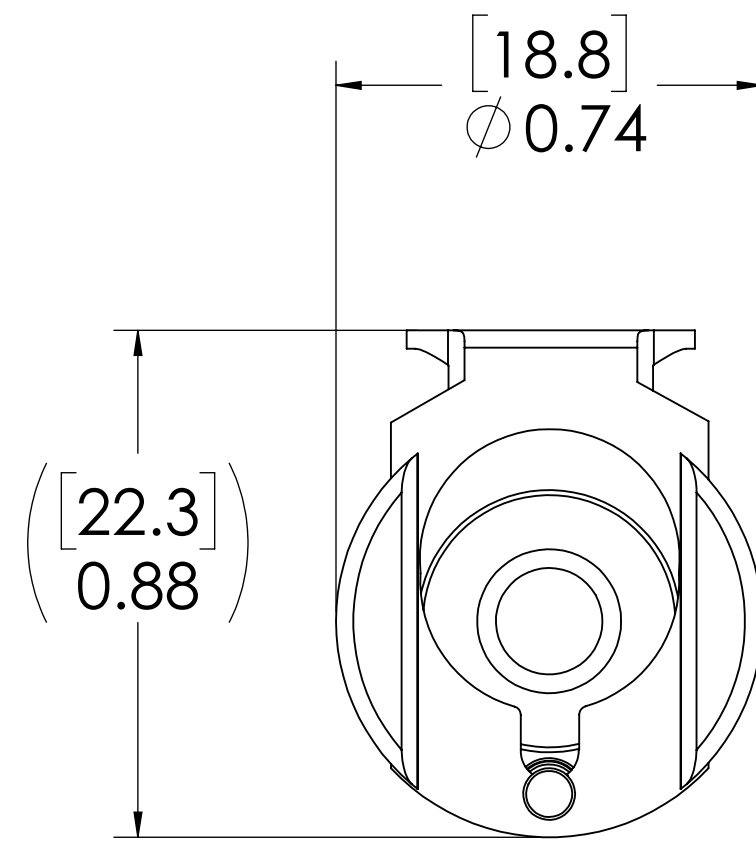
**SOCKET BODY  
(BRASS, NICKEL &  
CHROME PLATED)**



**LATCH HARDWARE  
(STAINLESS STEEL)**




**1/4" TUBE ID**



- NOTES:**
- MATERIAL: BRASS
  - FINISH: CHROME

**FOR REFERENCE ONLY**

UNLESS OTHERWISE SPECIFIED: DIMENSIONS ARE IN INCHES TOLERANCES: FRACTIONAL ±1/32 ANGULAR, MACH ±0.5 BEND ±2 ONE PLACE DECIMAL ±0.1 TWO PLACE DECIMAL ±0.01 THREE PLACE DECIMAL ±0.005 TWO PLACE DUAL (mm) [±0.12]	DRAWN	LDM	1/11/2018	 <b>PART NO: 40CB-S2-04</b>
	CHECKED	HRC	1/11/2018	
<b>PROPRIETARY AND CONFIDENTIAL</b>  THE INFORMATION CONTAINED IN THIS DRAWING IS THE SOLE PROPERTY OF LINKTECH LLC. ANY REPRODUCTION OR DISCLOSURE IN PART OR AS A WHOLE WITHOUT THE WRITTEN PERMISSION OF LINKTECH LLC IS STRICTLY PROHIBITED.	ENG APPR.	HRC	10/18/18	<b>DESCRIPTION: LinkTech 40CB Series Straight Female, Non-valved, 1/4" HB, Chrome Brass</b>
	MFG APPR.	BDB	10/18/18	
	PRODUCTION	LS	10/18/18	
	COMMENTS:			SIZE DWG. NO. REV <b>C 40CB400248 A</b>
SCALE: NTS			WEIGHT:	SHEET 1 OF 1