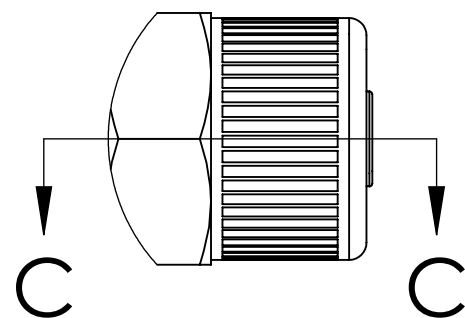
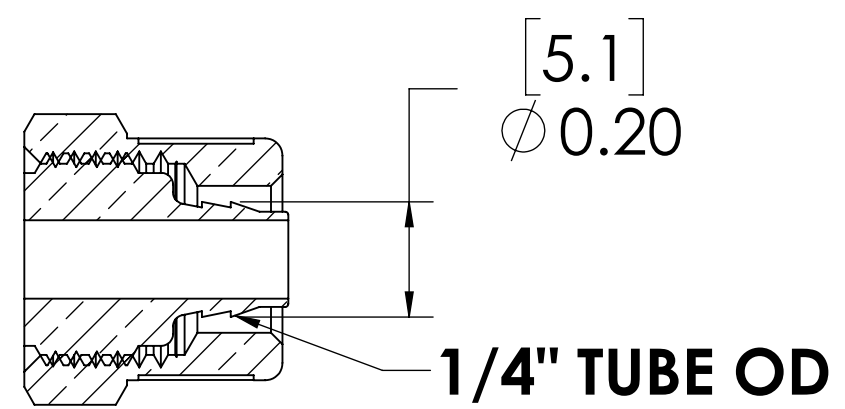


REVISIONS						
SHEET	ZONE	REV.	ECO	DESCRIPTION	DATE	APPROVED
1	ALL	A	50242	PIN, PIN SPRING & 2017 FORMAT UPDATE	10/18/2018	HRC

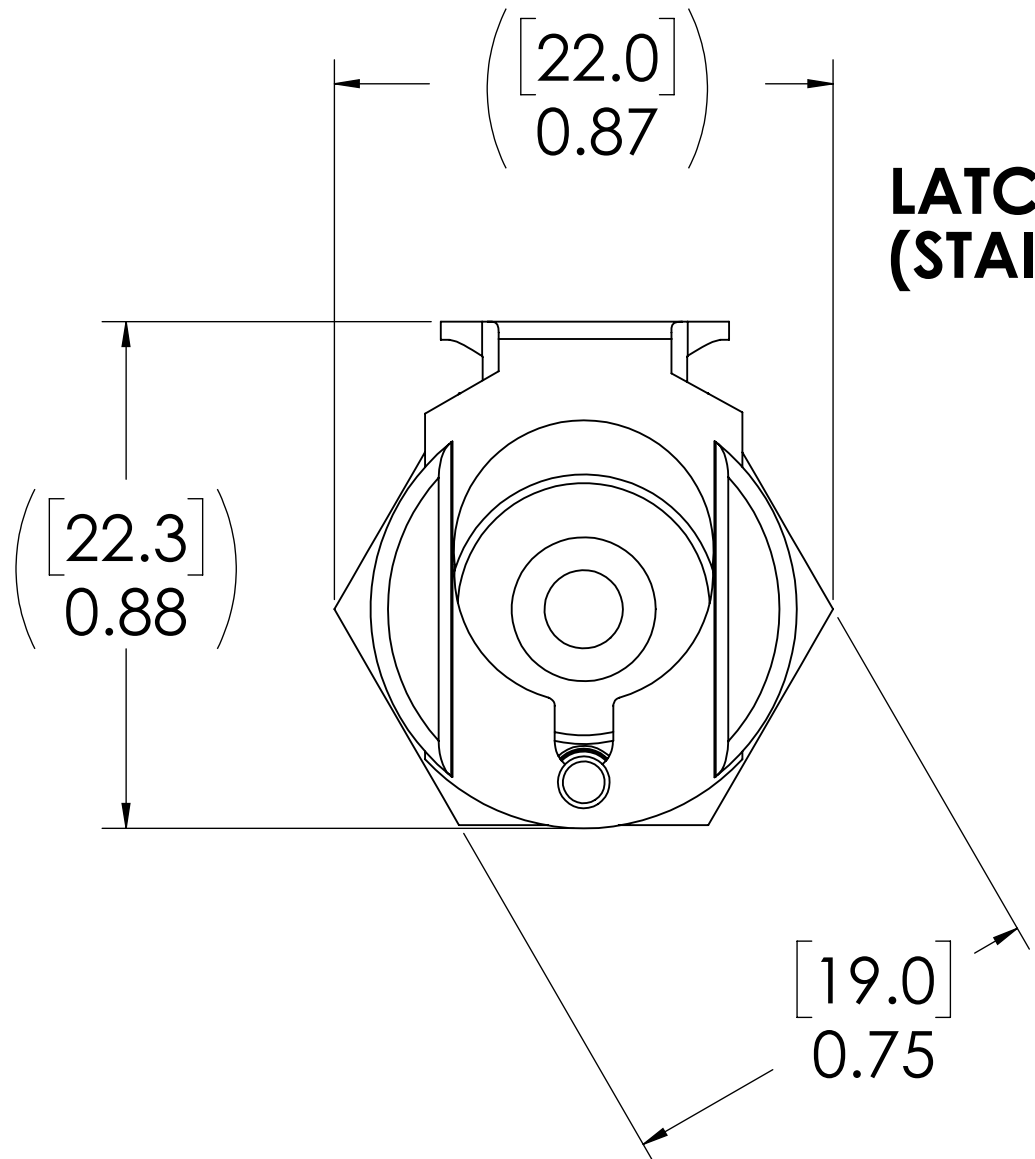
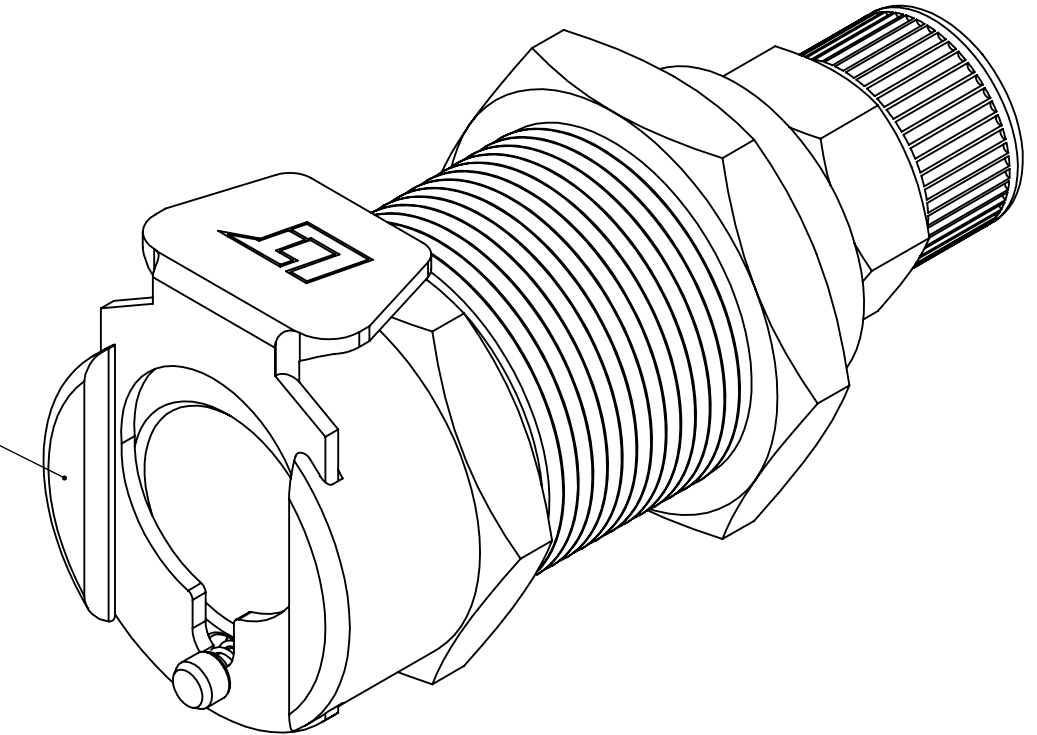


**DETAIL B**

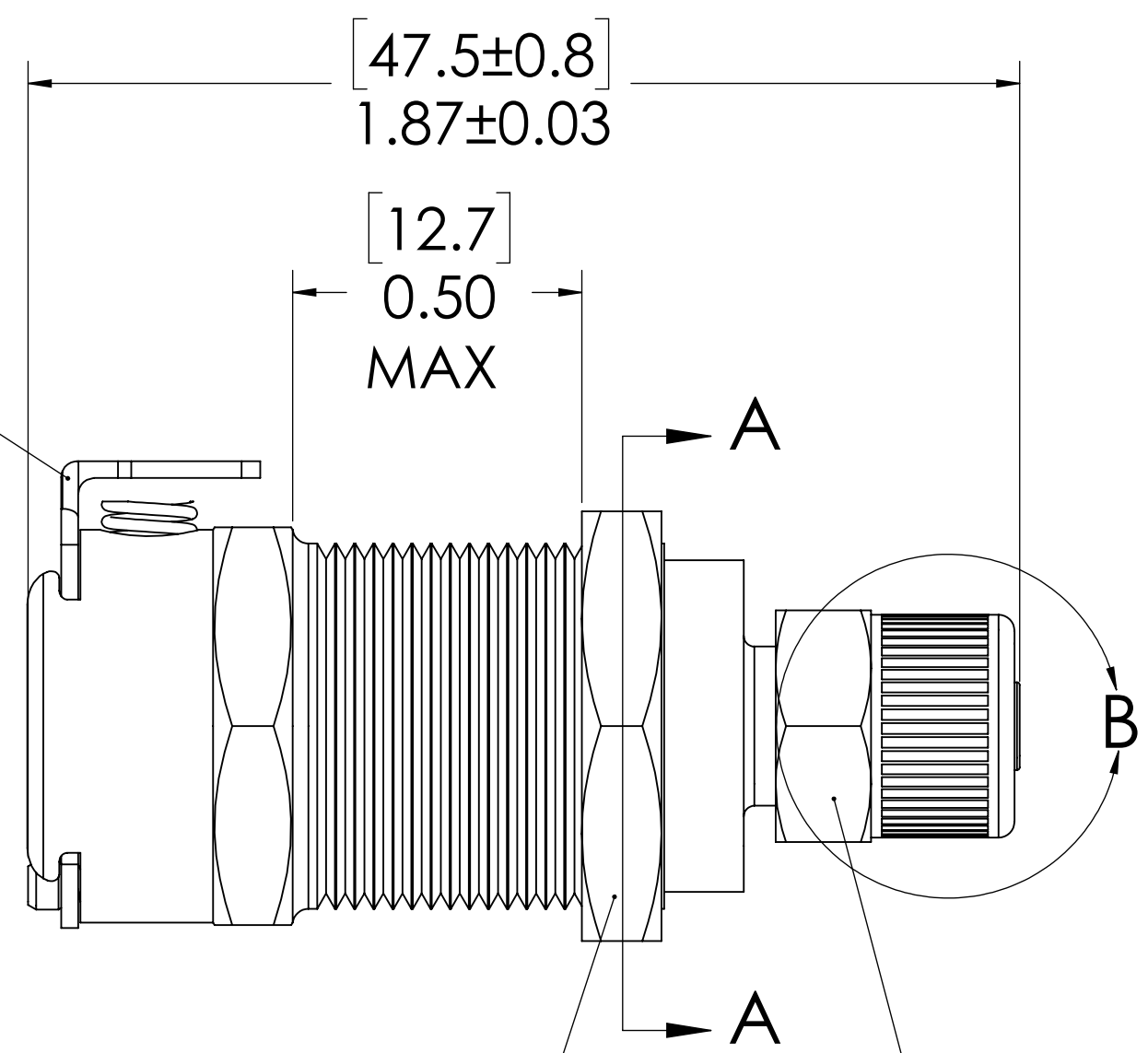


**SECTION C-C**

**SOCKET  
(BRASS, NICKEL &  
CHROME PLATED)**

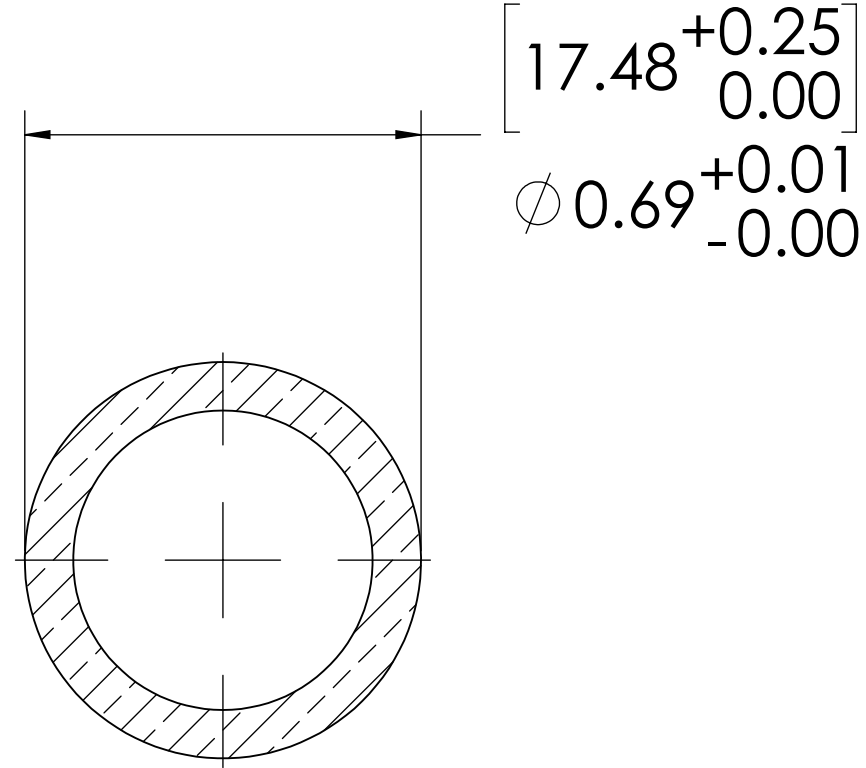


**LATCH HARDWARE  
(STAINLESS STEEL)**



**PANEL NUT  
(BRASS, NICKEL PLATED)  
(PACKAGED SEPARATELY)**

**PTF NUT  
(BRASS, NICKEL PLATED)  
(PACKAGED SEPARATELY)**



**PANEL OPENING  
SECTION A-A**

- NOTES:**
- MATERIAL: BRASS
  - FINISH: CHROME

**FOR REFERENCE ONLY**

<small>UNLESS OTHERWISE SPECIFIED: DIMENSIONS ARE IN INCHES TOLERANCES: FRACTIONAL ± 1/32 ANGULAR: MACH ± 0.5 BEND ± 2 ONE PLACE DECIMAL ± 0.1 TWO PLACE DECIMAL ± 0.01 THREE PLACE DECIMAL ± 0.005 TWO PLACE DUAL (mm) [±0.12]</small>	DRAWN	LDM	1/17/2018	
	CHECKED	HRC	1/17/2018	
	ENG APPR.	HRC	10/18/18	
	MFG APPR.	BDB	10/18/18	
PRODUCTION	LS	10/18/18		<b>PART NO: 40CB-S8-04</b> <b>DESCRIPTION: LinkTech 40CB Series Panel Mt. Female, Non-valved, 1/4" PTF, Chrome Brass</b>
<small>PROPRIETARY AND CONFIDENTIAL THE INFORMATION CONTAINED IN THIS DRAWING IS THE SOLE PROPERTY OF LINKTECH LLC. ANY REPRODUCTION OR DISCLOSURE IN PART OR AS A WHOLE WITHOUT THE WRITTEN PERMISSION OF LINKTECH LLC IS STRICTLY PROHIBITED.</small>	COMMENTS:			<b>SIZE DWG. NO. REV</b> <b>C 40CB400049 A</b>
	SCALE: NTS		WEIGHT:	
				SHEET 1 OF 1