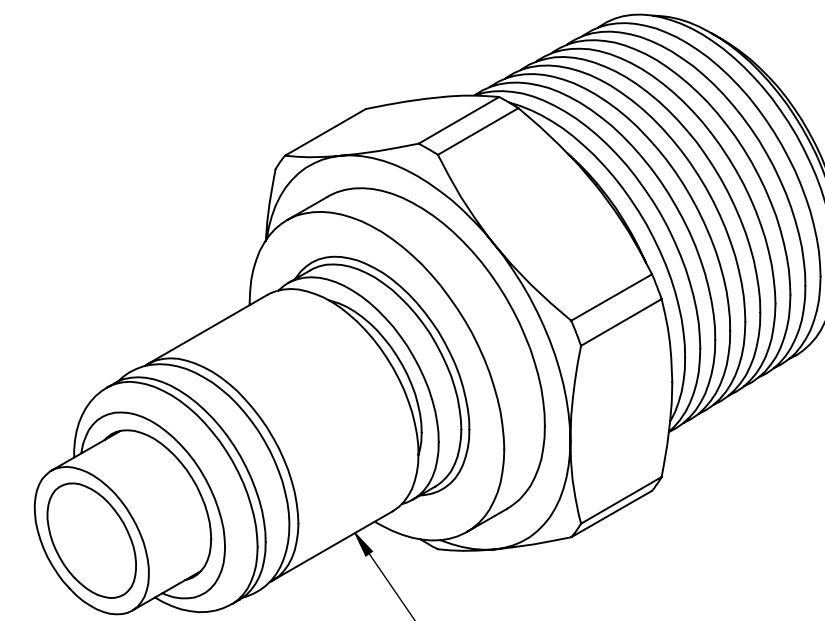
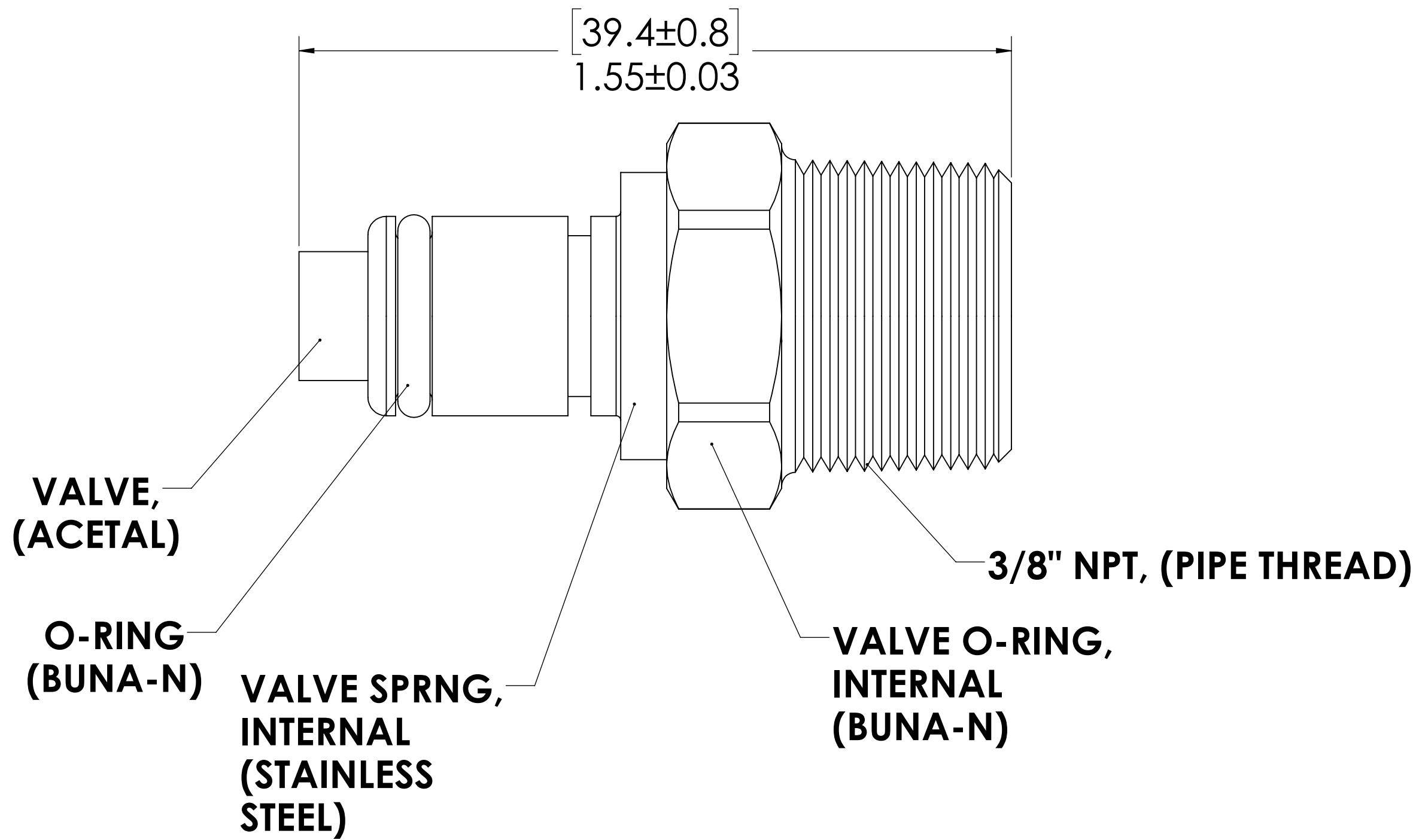
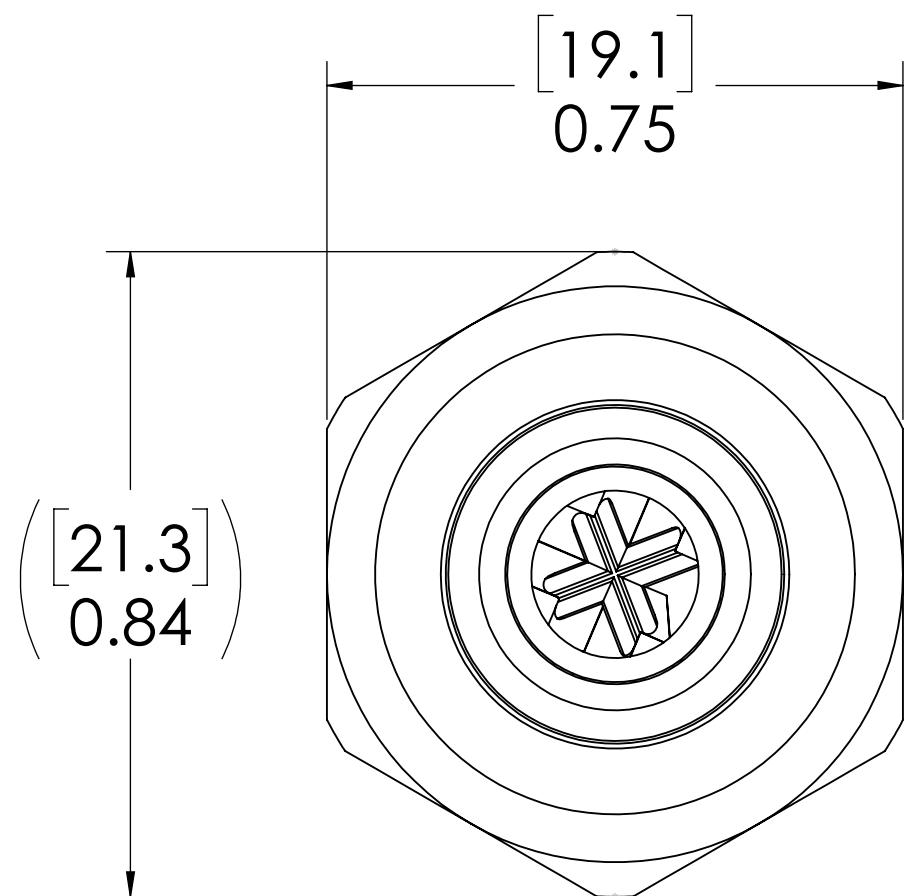


REVISIONS						
SHEET	ZONE	REV.	ECO	DESCRIPTION	DATE	APPROVED
1	ALL	A	50253	DWG DRAFTING UPDATE	5/15/2018	HRC




PLUG, (BRASS, NICKEL AND CHROME PLATED)



- NOTES:**
- MATERIAL: BRASS
 - FINISH: CHROME
 - O-RING MATERIAL: BUNA-N
 - O-RINGS LUBRICATED WITH FOOD GRADE SILICONE OIL, 350 CST.

FOR REFERENCE ONLY

<small>UNLESS OTHERWISE SPECIFIED: DIMENSIONS ARE IN INCHES TOLERANCES: FRACTIONAL ±1/32 ANGULAR: MACH: ±0.5 BEND ±2 ONE PLACE DECIMAL ±0.1 TWO PLACE DECIMAL ±0.01 THREE PLACE DECIMAL ±0.005 TWO PLACE DUAL (mm) [±0.12]</small>	DRAWN	CBH	8/10/2017	 LinkTech 40CB Series Male Thread Male, Valved, 3/8" MNPT, Chrome Brass
	CHECKED	HRC	8/10/2017	
	ENG APPR.	HRC	5/15/18	
	MFG APPR.	BDB	5/15/18	
<small>PROPRIETARY AND CONFIDENTIAL THE INFORMATION CONTAINED IN THIS DRAWING IS THE SOLE PROPERTY OF LINKTECH LLC. ANY REPRODUCTION OR DISCLOSURE IN PART OR AS A WHOLE WITHOUT THE WRITTEN PERMISSION OF LINKTECH LLC IS STRICTLY PROHIBITED.</small>	PURCHASING	RK	5/15/18	PART NO: 40CBV-PB1-06 <small>DESCRIPTION:</small> LinkTech 40CB Series Male Thread Male, Valved, 3/8" MNPT, Chrome Brass
<small>SCALE: NTS</small>		<small>WEIGHT:</small>		<small>SIZE DWG. NO. REV</small> C 40CB400134 A
<small>SHEET 1 OF 1</small>				