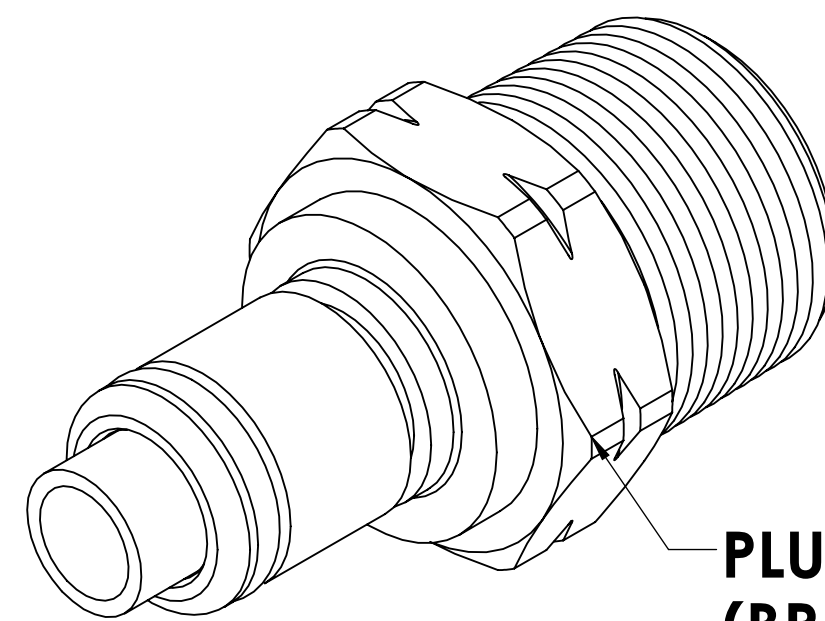
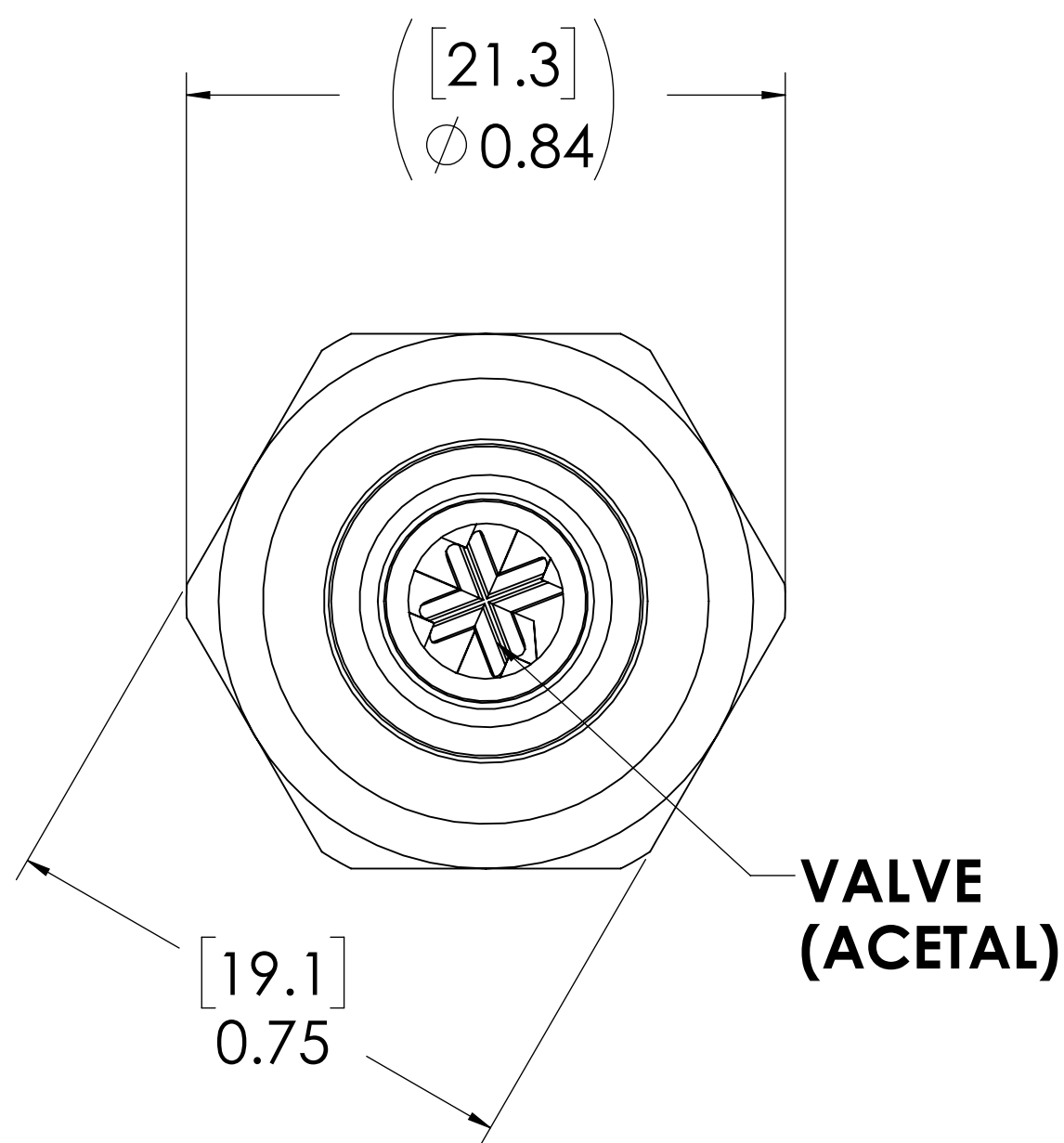


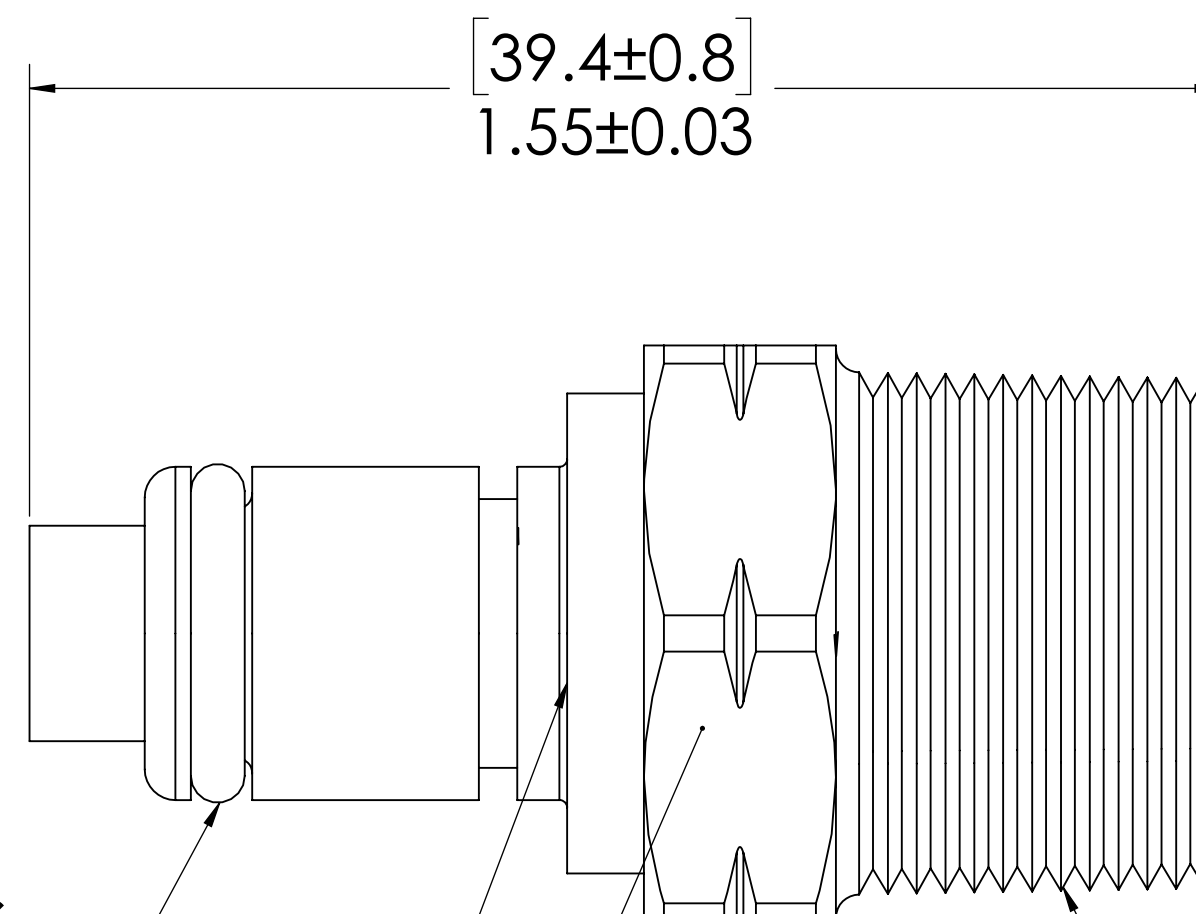
REVISIONS						
SHEET	ZONE	REV.	ECO	DESCRIPTION	DATE	APPROVED
1	ALL	A	50253	2017 FORMAT UPDATE	6/4/2018	HRC



**PLUG  
(BRASS, NICKEL &  
CHROME PLATED)**



**VALVE  
(ACETAL)**



**O-RING  
(BUNA-N)**

**VALVE SPRING  
INTERNAL,  
(STAINLESS STEEL)**


**VALVE O-RING  
INTERNAL,  
(STAINLESS STEEL)**

**3/8"BSPT,  
(PIPE THREAD)**

**NOTES:**

1. MATERIAL: BRASS
2. FINISH: CHROME
3. O-RING MATERIAL: BUNA-N
4. O-RINGS LUBRICATED WITH FOOD GRADE SILICONE OIL, 350 CST.

**FOR REFERENCE ONLY**

<small>UNLESS OTHERWISE SPECIFIED: DIMENSIONS ARE IN INCHES TOLERANCES: FRACTIONAL ± 1/32 ANGULAR: MACH ± 0.5 BEND ± 2 ONE PLACE DECIMAL ± 0.1 TWO PLACE DECIMAL ± 0.01 THREE PLACE DECIMAL ± 0.005 TWO PLACE DUAL (mm) [±0.12]</small>	DRAWN	LDM	1/22/2018	 <b>PART NO: 40CBV-PB1-06BSPT</b> <b>DESCRIPTION: LinkTech 40CB Series Male Thread Male, Valved, 3/8" BSPT, Chrome Brass</b>									
	CHECKED	HRC	1-22-18										
	ENG APPR.	HRC	6-4-18										
	MFG APPR.	BDB	6-4-18										
<small>PROPRIETARY AND CONFIDENTIAL</small>	PURCHASING	RK	6-4-18	<small>THE INFORMATION CONTAINED IN THIS DRAWING IS THE SOLE PROPERTY OF LINKTECH LLC. ANY REPRODUCTION OR DISCLOSURE IN PART OR AS A WHOLE WITHOUT THE WRITTEN PERMISSION OF LINKTECH LLC IS STRICTLY PROHIBITED.</small>									
COMMENTS:				<table border="1"> <tr> <td>SIZE</td> <td>DWG. NO.</td> <td>REV</td> </tr> <tr> <td><b>C</b></td> <td><b>40CB400244</b></td> <td><b>A</b></td> </tr> <tr> <td>SCALE: NTS</td> <td>WEIGHT:</td> <td>SHEET 1 OF 1</td> </tr> </table>	SIZE	DWG. NO.	REV	<b>C</b>	<b>40CB400244</b>	<b>A</b>	SCALE: NTS	WEIGHT:	SHEET 1 OF 1
SIZE	DWG. NO.	REV											
<b>C</b>	<b>40CB400244</b>	<b>A</b>											
SCALE: NTS	WEIGHT:	SHEET 1 OF 1											