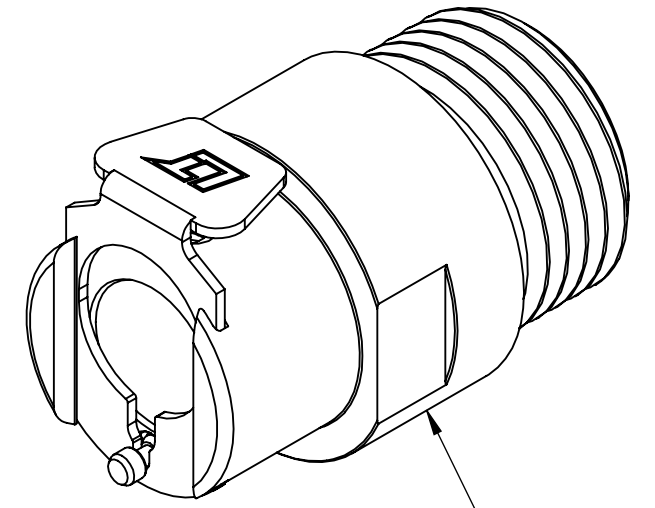
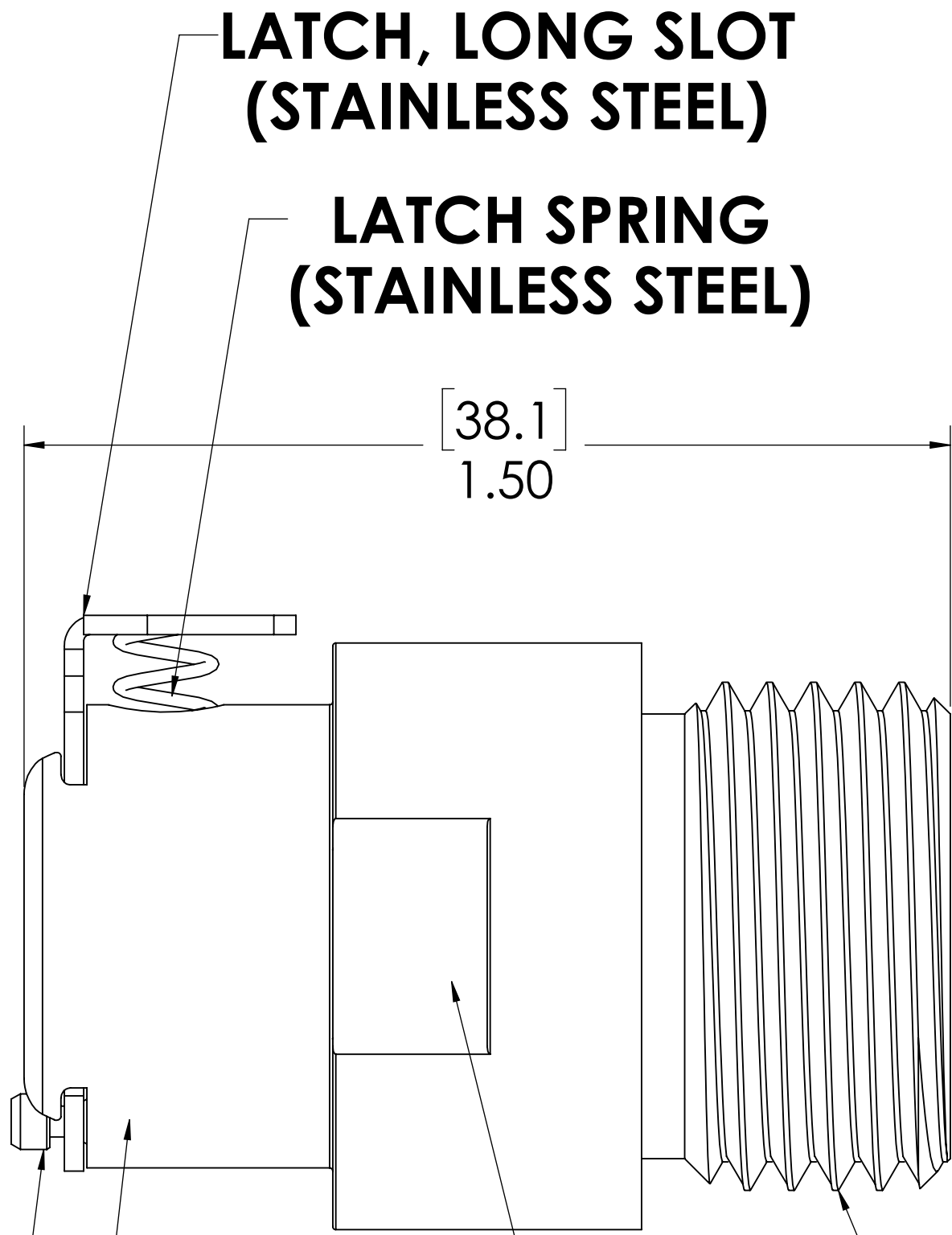
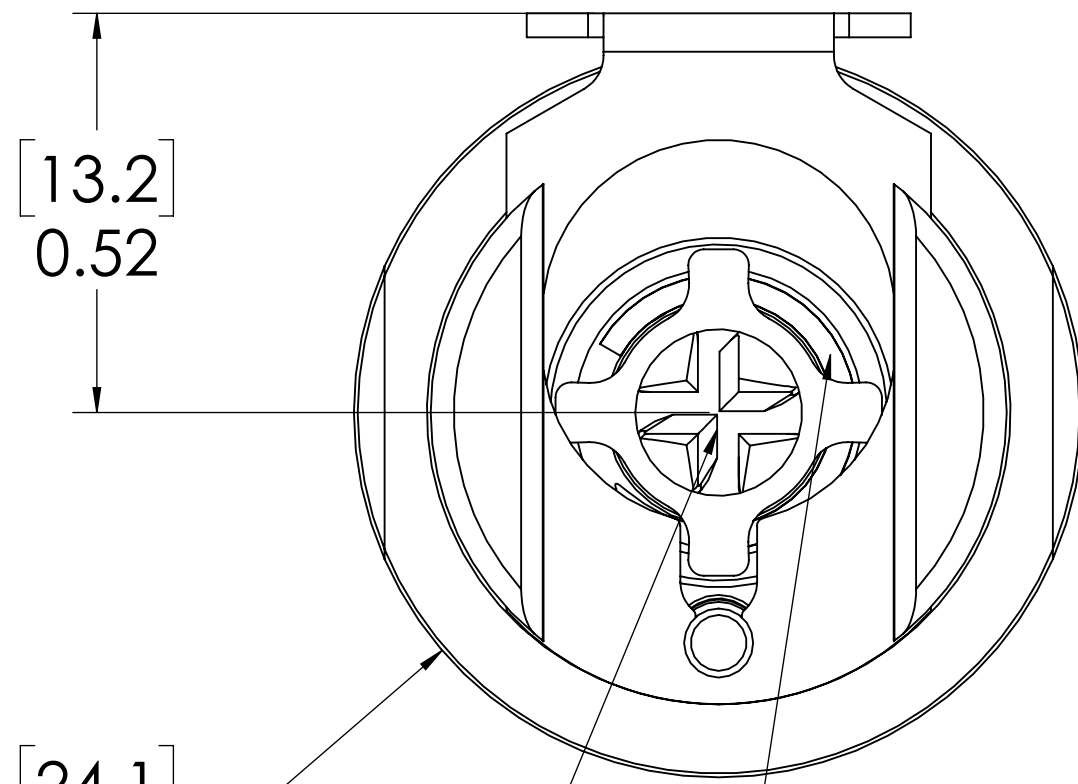


REVISIONS						
SHEET	ZONE	REV.	ECO	DESCRIPTION	DATE	APPROVED
		A		INITIAL RELEASE FOR PRODUCTION	02-26-21	FJL



VALVE (DELRIN)
VALVE SPRING (STAINLESS STEEL)
VALVE O-RING, INTERNAL (VITON)
1/2-14 NPSM (PIPE THREAD)
SOCKET (BRASS, CHROME PLATED)
LATCH, LONG SLOT (STAINLESS STEEL)
LATCH SPRING (STAINLESS STEEL)
SPRING, BUTTON RELEASE PIN, INTERNAL (STAINLESS STEEL)
BUTTON RELEASE PIN, INTERNAL (STAINLESS STEEL)

- NOTES:**
- MATERIAL: BRASS
 - FINISH: CHROME
 - O-RING MATERIAL: VITON
 - O-RINGS LUBRICATED WITH FOOD GRADE SILICONE OIL, 350 CST.

FOR REFERENCE ONLY

UNLESS OTHERWISE SPECIFIED: DIMENSIONS ARE IN INCHES TOLERANCES: FRACTIONAL ±1/32 ANGULAR: MA CH ±0.5 BEND ±2 ONE PLACE DECIMAL ±0.1 TWO PLACE DECIMAL ±0.01 THREE PLACE DECIMAL ±0.005 TWO PLACE DUAL (mm) [±0.12]		LINKTECH DUAL COMPUTING INTELLIGENCE	
PROPRIETARY AND CONFIDENTIAL THE INFORMATION CONTAINED IN THIS DRAWING IS THE SOLE PROPERTY OF LINKTECH LLC. ANY REPRODUCTION OR DISCLOSURE IN PART OR AS A WHOLE WITHOUT THE WRITTEN PERMISSION OF LINKTECH LLC IS STRICTLY PROHIBITED.		PART NO: 40CBV-S35297	
COMMENTS:		DESCRIPTION: SOCKET, 40CB, V, 1/2 IPS MALE THREAD	
SIZE C	DWG. NO. 1169589	REV A	
SCALE: NTS	WEIGHT:	SHEET 1 OF 1	