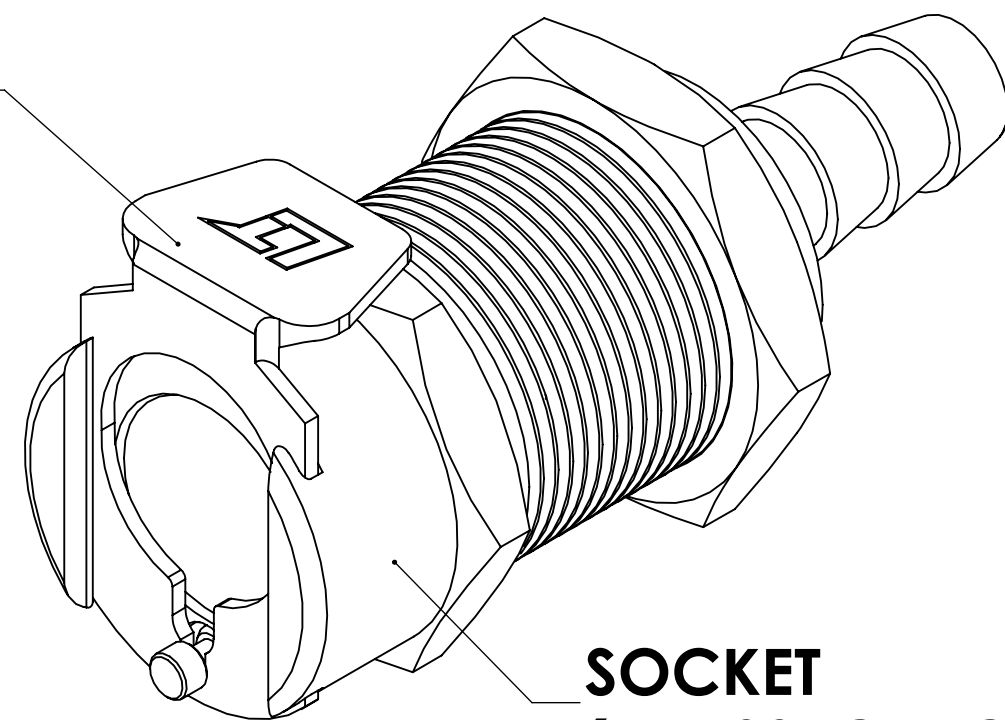


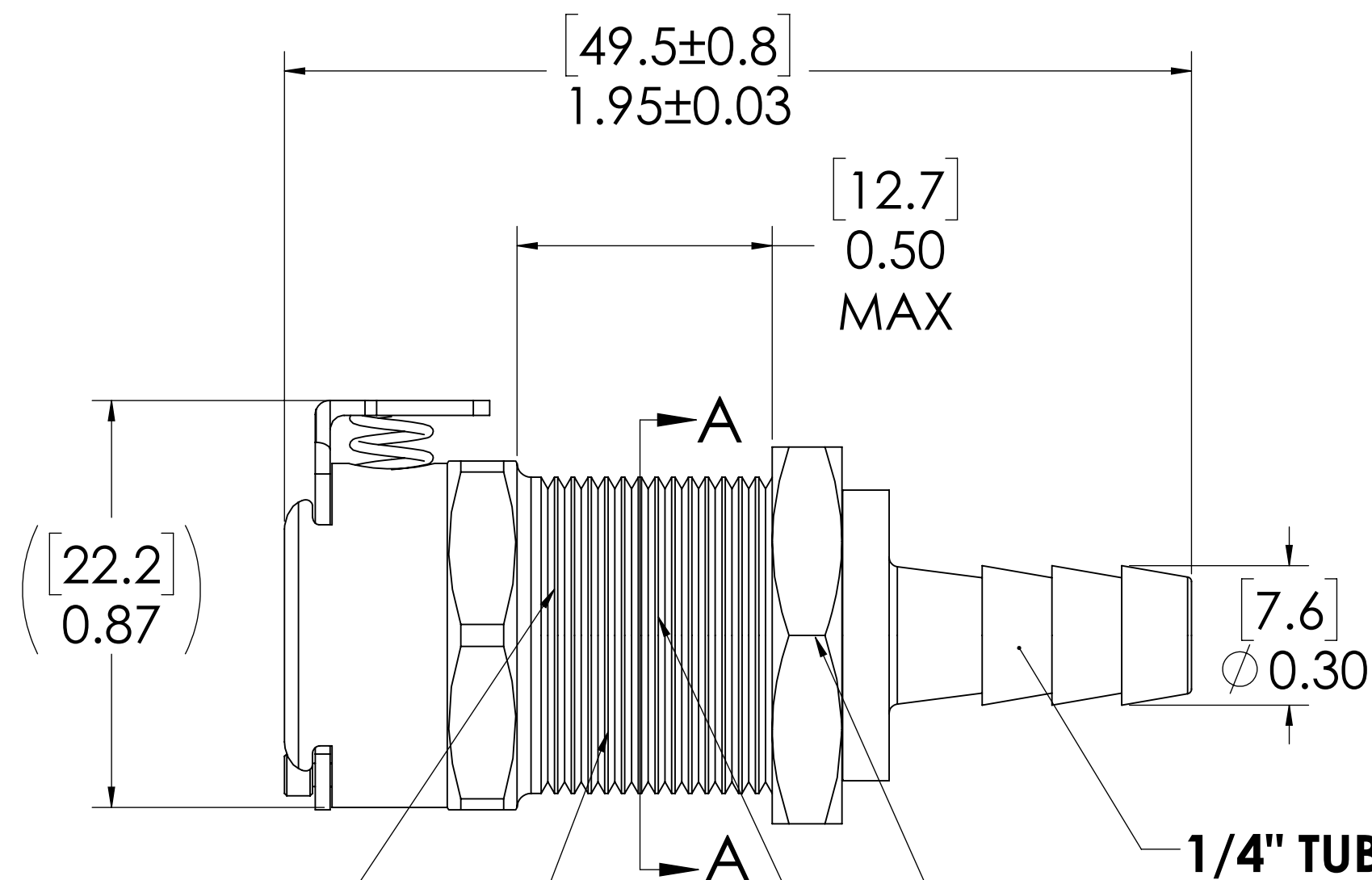
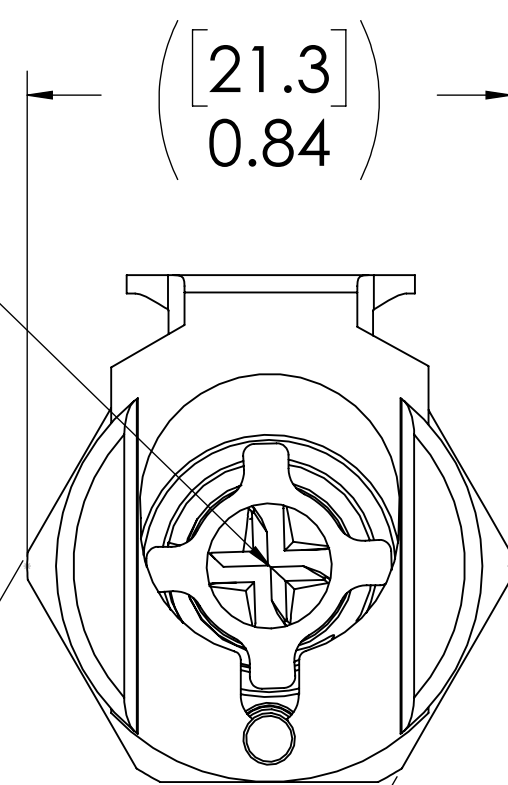
REVISIONS						
SHEET	ZONE	REV.	ECO	DESCRIPTION	DATE	APPROVED
ALL	ALL	A	50242	PIN, PIN SPRING & 2017 FORMAT UPDATE	8/18/2017	HRC

**LATCH HARDWARE
(STAINLESS STEEL)**



**SOCKET
(BRASS, CHROME PLATED)**

**VALVE
(ACETAL)**



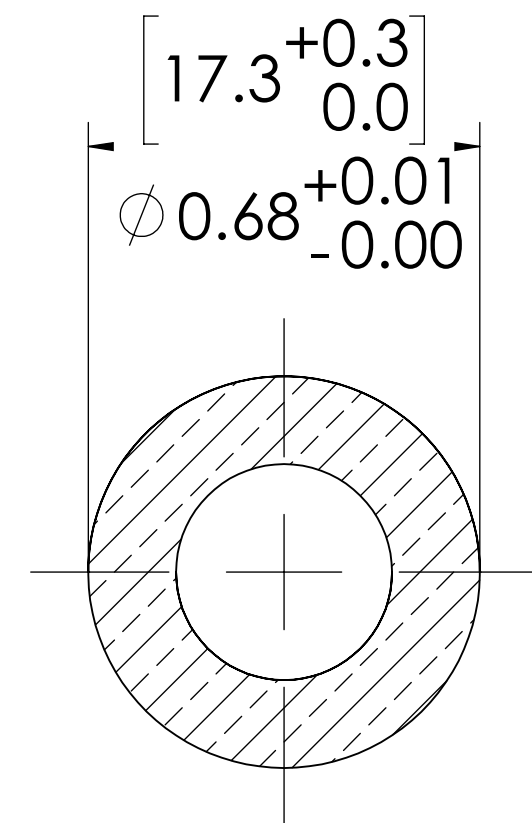
**VALVE SPRING
INTERNAL
(STAINLESS STEEL)**

11/16"-24 UNS THREAD

**PANEL NUT
(BRASS, NICKEL PLATED)
(PACKAGE SEPARATELY)**

**VALVE O-RING
INTERNAL
(BUNA-N)**

1/4" TUBE ID




**PANEL OPENING
(SECTION A-A)**

NOTES:

- MATERIAL: BRASS
- FINISH: CHROME
- O-RING MATERIAL: BUNA-N
- O-RINGS LUBRICATED WITH FOOD GRADE SILICONE OIL, 350 CST.

FOR REFERENCE ONLY

<small>UNLESS OTHERWISE SPECIFIED: DIMENSIONS ARE IN INCHES TOLERANCES: FRACTIONAL ±1/32 ANGULAR, MACH ±0.5 BEND ±2 ONE PLACE DECIMAL ±0.1 TWO PLACE DECIMAL ±0.01 THREE PLACE DECIMAL ±0.005 TWO PLACE DUAL (mm) [±0.12]</small>	DRAWN	CBH	8/10/17	 PART NO: 40CBV-SB3-04 DESCRIPTION: LinkTech 40CB Series Panel Mt. Female, Valved, 1/4" HB, Chrome Brass
	CHECKED	HRC	8/10/17	
	ENG APPR.	HRC	8/18/17	
	MFG APPR.	BDB	8/18/17	
<small>PROPRIETARY AND CONFIDENTIAL THE INFORMATION CONTAINED IN THIS DRAWING IS THE SOLE PROPERTY OF LINKTECH LLC. ANY REPRODUCTION OR DISCLOSURE IN PART OR AS A WHOLE WITHOUT THE WRITTEN PERMISSION OF LINKTECH LLC IS STRICTLY PROHIBITED.</small>	Q.A.	JJB	8/18/17	<small>SIZE DWG. NO. REV</small> C 40CB400223 A
<small>COMMENTS:</small>			<small>SCALE: NTS WEIGHT: SHEET 1 OF 1</small>	