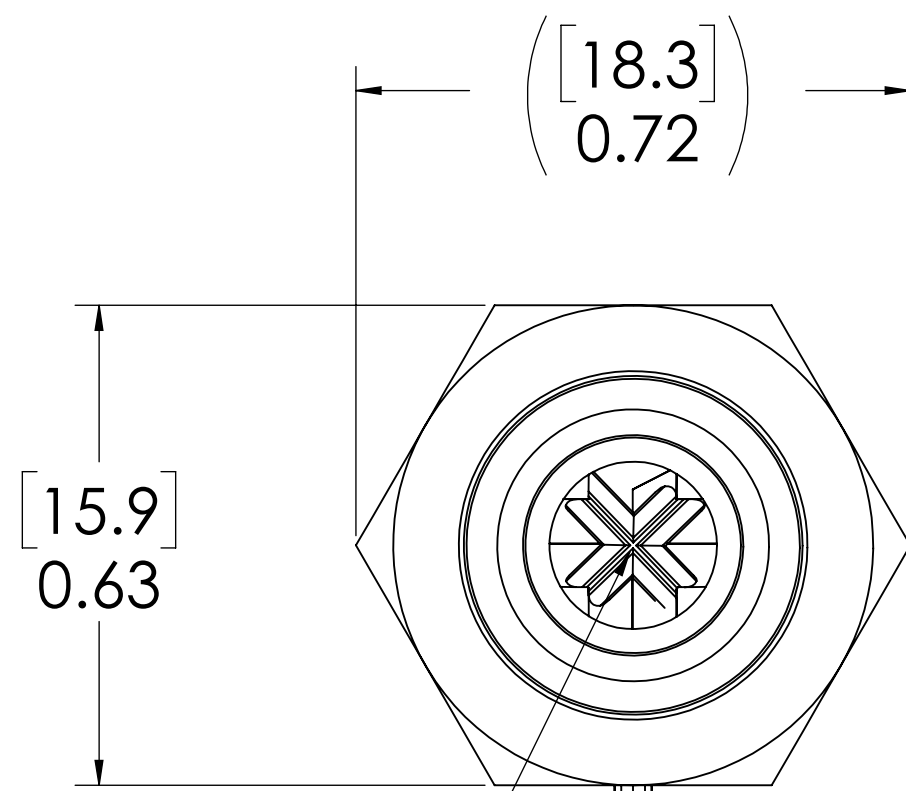
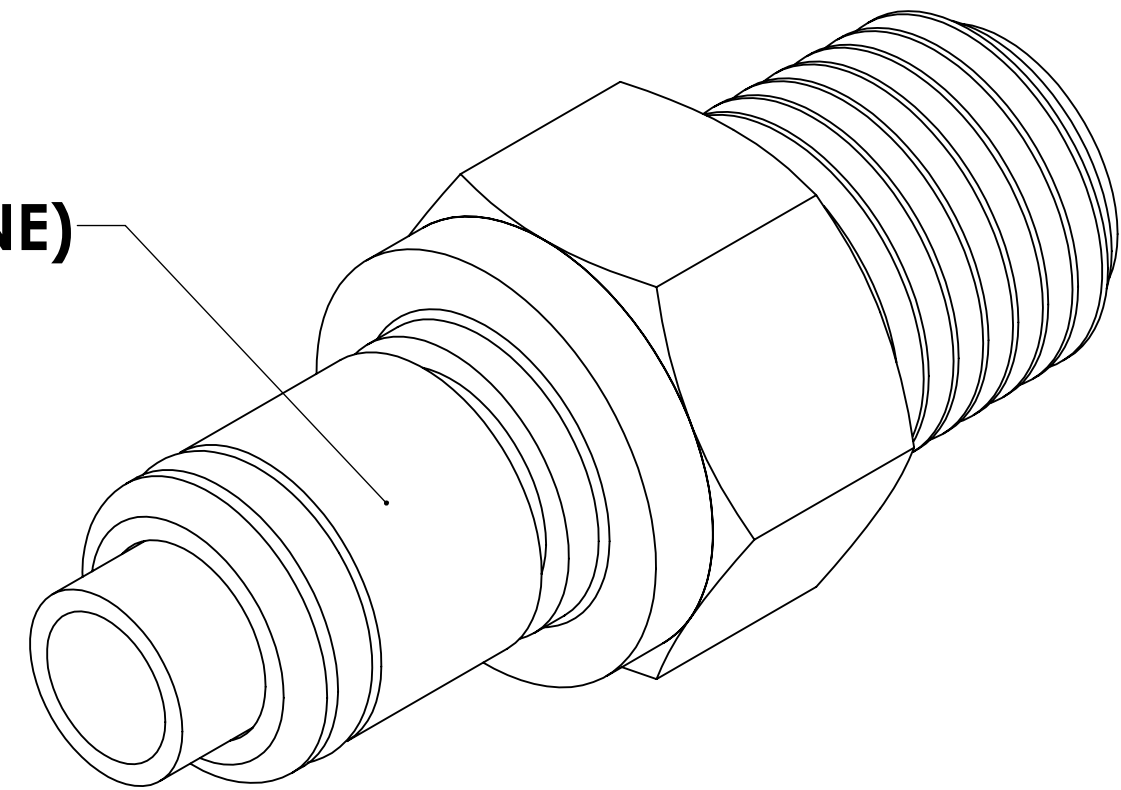
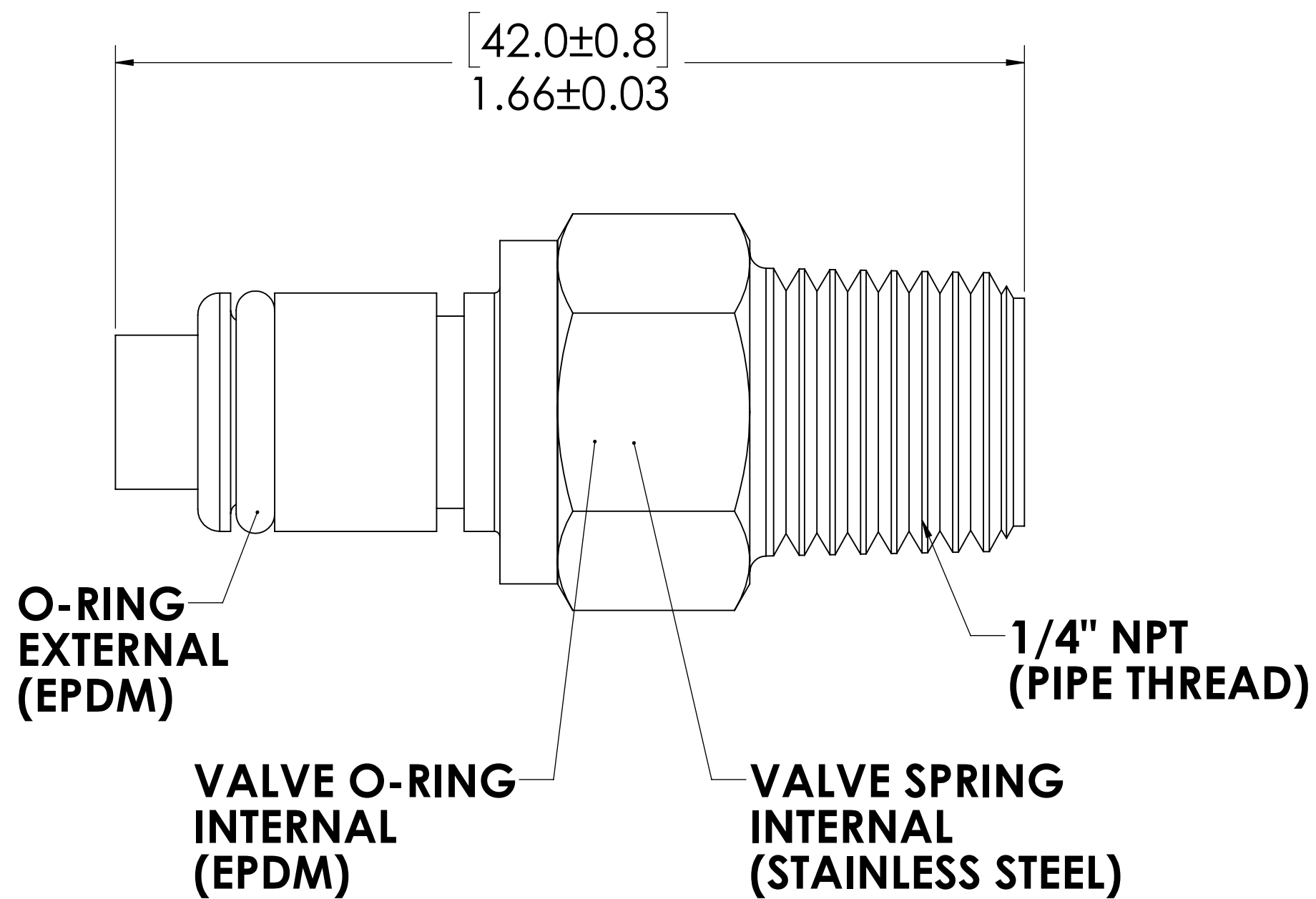


REVISIONS						
SHEET	ZONE	REV.	ECO	DESCRIPTION	DATE	APPROVED
1	ALL	A	50253	UPDATE DWG TO CURRENT FORMAT & STANDARDS	10/23/2018	HRC

**PLUG
(POLYPROPYLENE)**




**VALVE
(POLYPROPYLENE)**



NOTES:

- MATERIAL: POLYPROPYLENE
- COLOR: MOLDED ALMOND
- O-RING MATERIAL: EPDM
- O-RINGS LUBRICATED WITH FOOD GRADE SILICONE OIL, 350 CST.

FOR REFERENCE ONLY

<small>UNLESS OTHERWISE SPECIFIED: DIMENSIONS ARE IN INCHES TOLERANCES: FRACTIONAL ± 1/32 ANGULAR, MACH ± 0.5 BEND ± 2 ONE PLACE DECIMAL ± 0.1 TWO PLACE DECIMAL ± 0.01 THREE PLACE DECIMAL ± 0.005 TWO PLACE DUAL (mm) [± 0.12]</small>	DRAWN	LMP	4/13/2018	 PART NO: 40PPV-PE1-04MALD <small>DESCRIPTION: LinkTech 40PP Series Male Thread Plug, Valved, 1/4" NPT, Molded Almond Color, Polypropylene</small>
	CHECKED	HRC	4/13/2018	
	ENG APPR.	HRC	10/23/18	
	MFG APPR.	BDB	10/23/18	
PRODUCTION	LS	10/23/18		<small>SIZE DWG. NO. REV</small> C 40PP400133 A
<small>PROPRIETARY AND CONFIDENTIAL THE INFORMATION CONTAINED IN THIS DRAWING IS THE SOLE PROPERTY OF LINKTECH LLC. ANY REPRODUCTION OR DISCLOSURE IN PART OR AS A WHOLE WITHOUT THE WRITTEN PERMISSION OF LINKTECH LLC IS STRICTLY PROHIBITED.</small>				<small>SCALE: NTS WEIGHT: SHEET 1 OF 1</small>