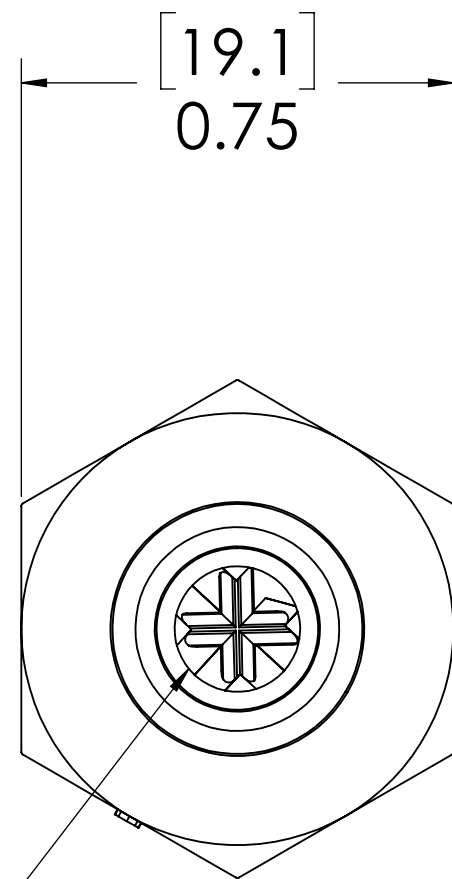
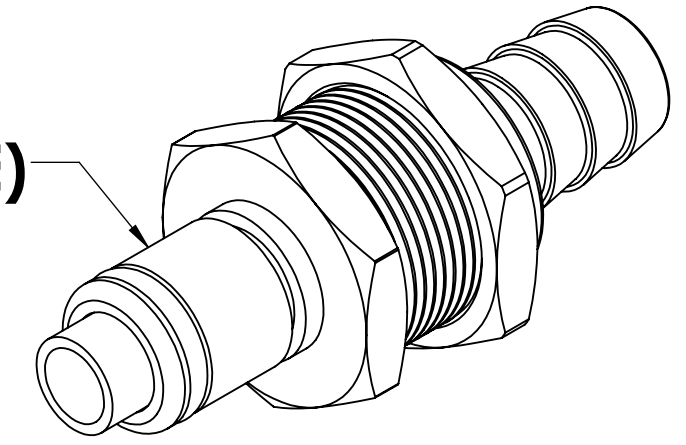
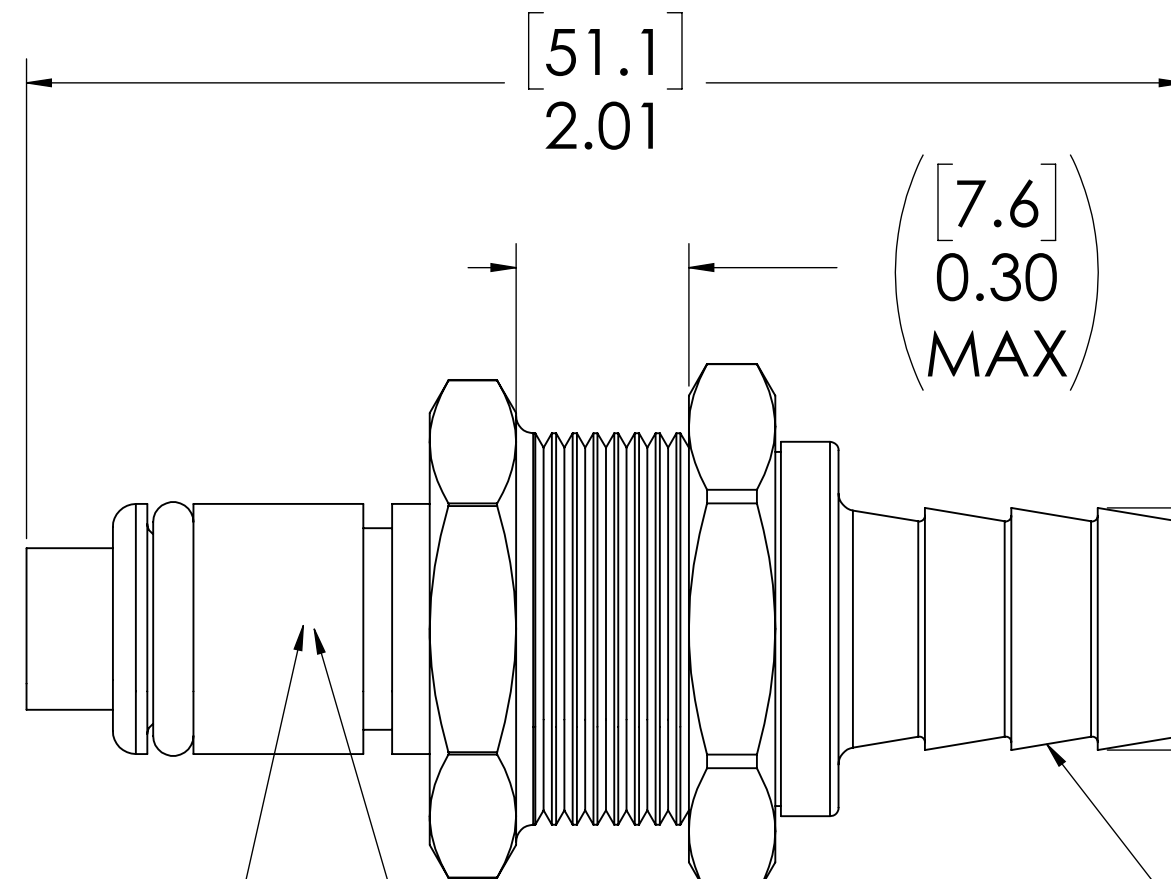


REVISIONS						
SHEET	ZONE	REV.	ECO	DESCRIPTION	DATE	APPROVED
1	ALL	A	50253	2017 FORMAT UPDATE	10/17/2017	HRC

**PLUG,  
(POLYPROPYLENE)**



**VALVE,  
(ACETAL)**

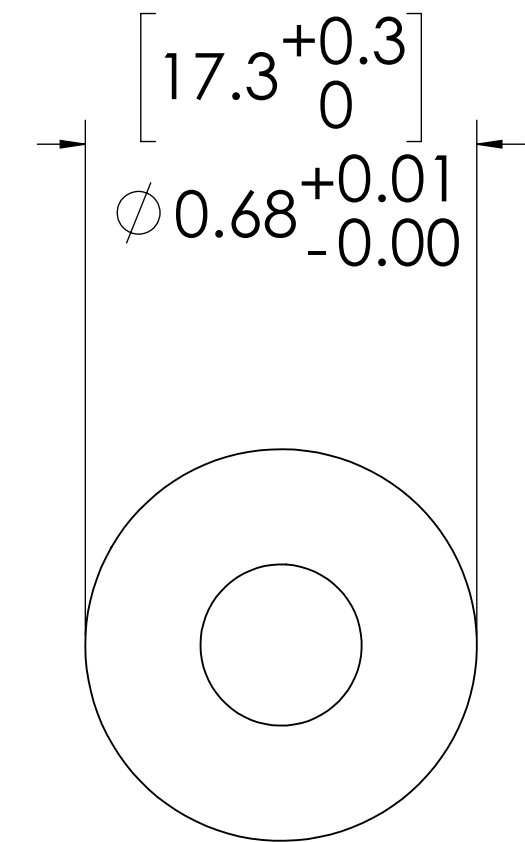


**VALVE  
SPRING  
(STAINLESS STEEL)**

**O-RING  
INTERNAL  
(EPDM)**

**PANEL NUT  
(BRASS, NICKEL PLATED  
13/16: HEX)  
PACKAGED SEPARATELY**

**3/8" TUBE ID**



**PANEL OPENING**

**NOTES:**

- MATERIAL: POLYPROPYLENE
- COLOR: GREY
- O-RING MATERIAL: EPDM
- O-RINGS LUBRICATED WITH FOOD GRADE SILICONE OIL, 350 CST.

**FOR REFERENCE ONLY**

<small>UNLESS OTHERWISE SPECIFIED: DIMENSIONS ARE IN INCHES TOLERANCES: FRACTIONAL ± 1/32 ANGULAR: MACH ± 0.5 BEND ± 2 ONE PLACE DECIMAL ± 0.1 TWO PLACE DECIMAL ± 0.01 THREE PLACE DECIMAL ± 0.005 TWO PLACE DUAL (mm) [± 0.12]</small>	DRAWN	RDA	10/4/2017	
	CHECKED	HRC	10/4/2017	
	ENG APPR.	HRC	10/17/2017	
	MFG APPR.	BDB	10/17/2017	
<small>PROPRIETARY AND CONFIDENTIAL THE INFORMATION CONTAINED IN THIS DRAWING IS THE SOLE PROPERTY OF LINKTECH LLC. ANY REPRODUCTION OR DISCLOSURE IN PART OR AS A WHOLE WITHOUT THE WRITTEN PERMISSION OF LINKTECH LLC IS STRICTLY PROHIBITED.</small>	Q.A.	JJB	10/17/2017	<b>PART NO:</b> 40PPV-PE3-06 <b>DESCRIPTION:</b> LinkTech 40PP Series Panel Mt. Male, Valved, 375 HB, Molded Grey Color, Polypropylene
<b>SIZE</b> DWG. NO. REV <b>C</b> 40PP400074 <b>A</b>		<b>SCALE:</b> NTS <b>WEIGHT:</b>		<b>SHEET 1 OF 1</b>