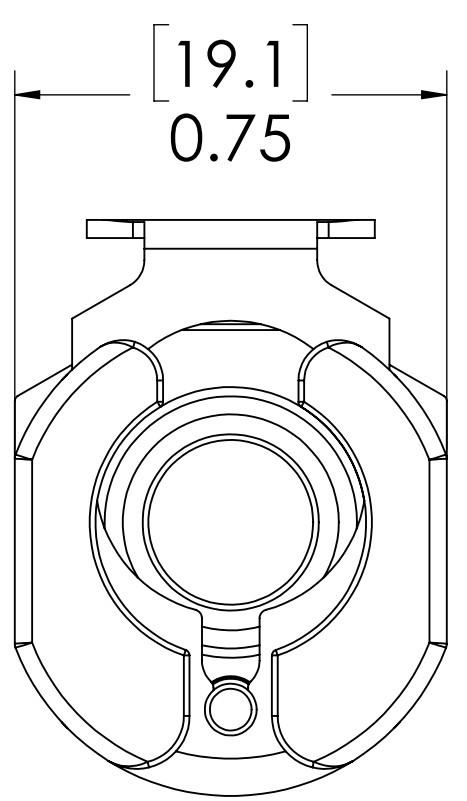
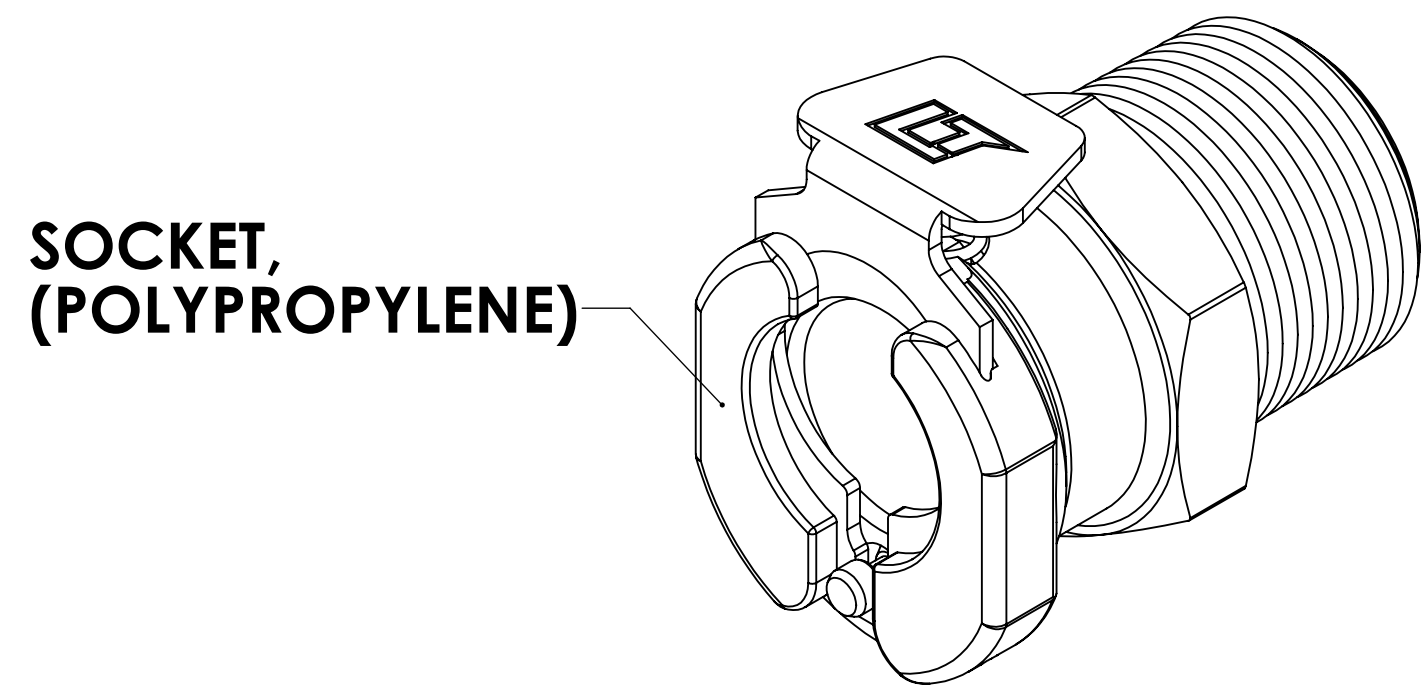
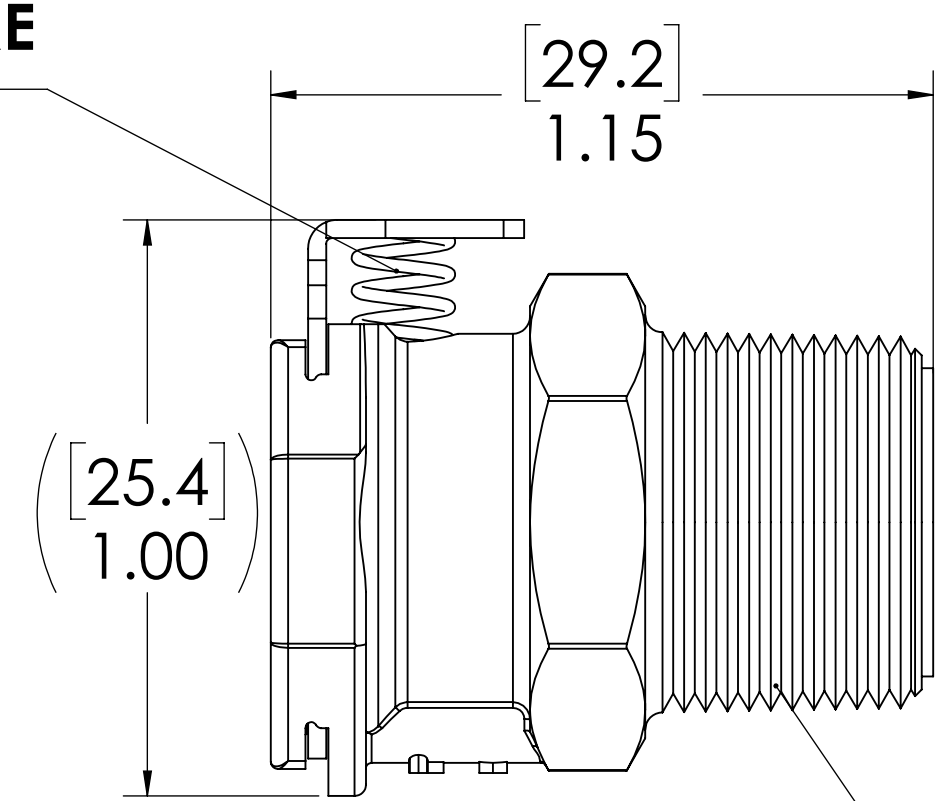


REVISIONS						
SHEET	ZONE	REV.	ECO	DESCRIPTION	DATE	APPROVED
ALL	ALL	A	50242	PIN, PIN SPRING & FORMAT UPDATE	3/29/2019	HRC



**LATCH HARDWARE (STAINLESS STEEL)**



**1/4" PIPE THREAD**

- NOTES:**
- MATERIAL: POLYPROPYLENE
  - COLOR: ALMOND

**FOR REFERENCE ONLY**

<small>UNLESS OTHERWISE SPECIFIED:          DIMENSIONS ARE IN INCHES          TOLERANCES:          FRACTIONAL ± 1/32          ANGULAR, MACH ± 0.5 BEND ± 2          ONE PLACE DECIMAL ± 0.1          TWO PLACE DECIMAL ± 0.01          THREE PLACE DECIMAL ± 0.005          TWO PLACE DUAL (mm) [± 0.12]</small>	DRAWN	RDA	3/20/2019	
	CHECKED	HRC	3/20/2019	
	ENG APPR.	HRC	3/29/19	
	MFG APPR.	BDB	3/29/19	
PRODUCTION	LS	3/29/19		PART NO: <b>40PPV-SE1-04MALD</b> DESCRIPTION: <b>LinkTech 40PP Series Male Thread Female, Valved, 250 NPT, Molded Almond Color, Polypropylene</b>
<small>PROPRIETARY AND CONFIDENTIAL          THE INFORMATION CONTAINED IN THIS DRAWING IS THE SOLE PROPERTY OF LINKTECH LLC. ANY REPRODUCTION OR DISCLOSURE IN PART OR AS A WHOLE WITHOUT THE WRITTEN PERMISSION OF LINKTECH LLC IS STRICTLY PROHIBITED.</small>	COMMENTS:			SIZE DWG. NO. REV <b>C 40PP400140 A</b>
SCALE: NTS		WEIGHT:	SHEET 1 OF 1	