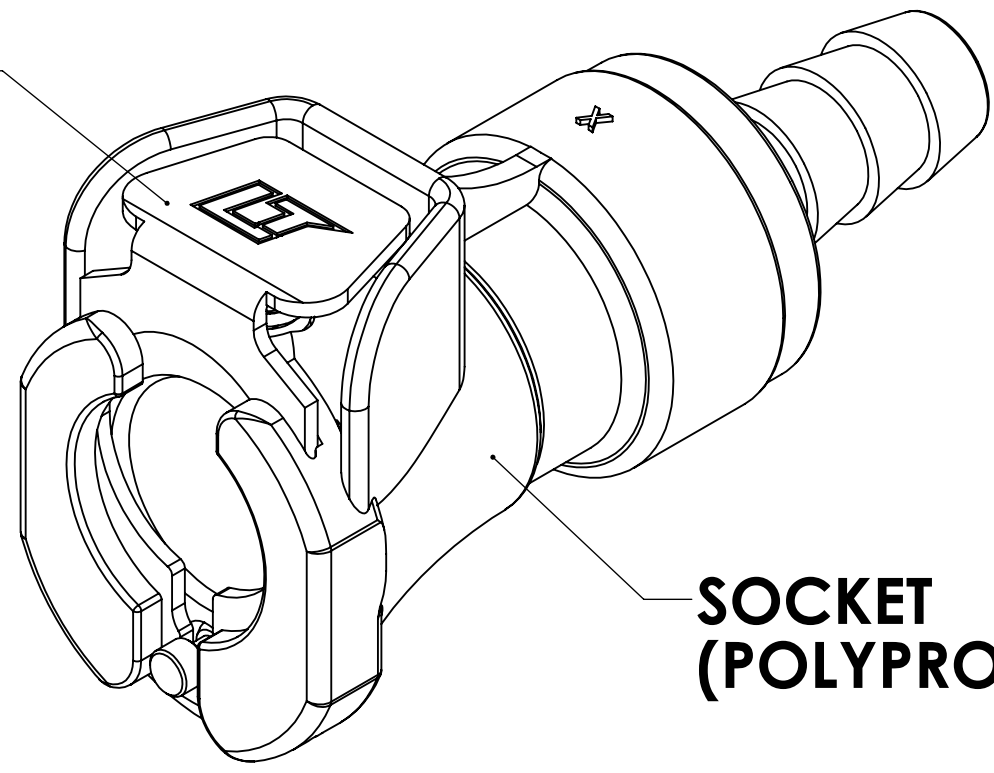
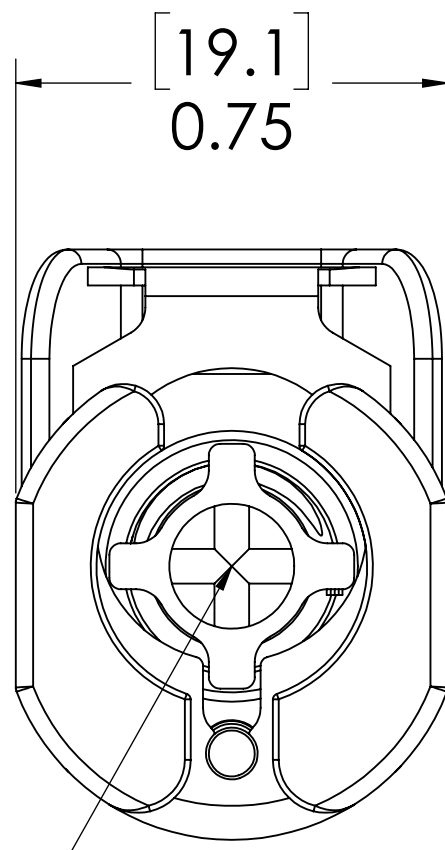


REVISIONS						
SHEET	ZONE	REV.	ECO	DESCRIPTION	DATE	APPROVED
1	A-1	A	CORRECTED DWG NUMBER	2/24/2011	DHJ
1	F-8	B	CORRECTED VALVE PART NUMBER FROM C11049 TO C11145	5/23/2011	DHJ
1	ALL	C	50253	UPDATE DWG TO CURRENT FORMAT & STANDARDS	10/23/2018	HRC

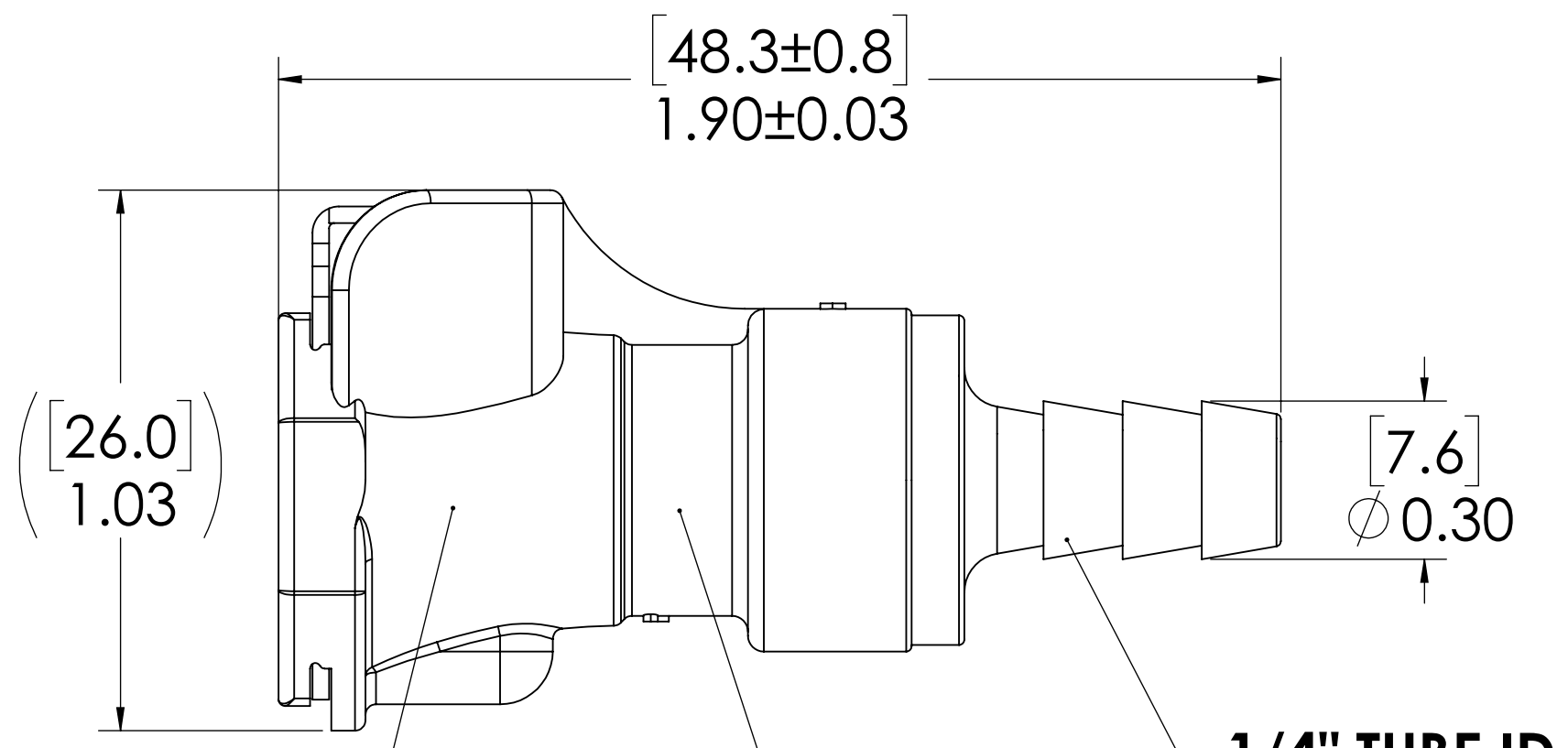
**LATCH HARDWARE
(STAINLESS STEEL)**



**SOCKET
(POLYPROPYLENE)**



**VALVE
(POLYPROPYLENE)**



**VALVE SPRING
INTERNAL
(STAINLESS STEEL)**

**VALVE O-RING
INTERNAL
(EPDM)**

1/4" TUBE ID

- NOTES:**
- MATERIAL: POLYPROPYLENE
 - COLOR: GREY
 - O-RING MATERIAL: EPDM
 - O-RINGS LUBRICATED WITH FOOD GRADE SILICONE OIL, 350 CST.

FOR REFERENCE ONLY

<small>UNLESS OTHERWISE SPECIFIED: DIMENSIONS ARE IN INCHES TOLERANCES: FRACTIONAL ±1/32 ANGULAR: MACH ±0.5 BEND ±2 ONE PLACE DECIMAL ±0.1 TWO PLACE DECIMAL ±0.01 THREE PLACE DECIMAL ±0.005 TWO PLACE DUAL (mm) [±0.12]</small>	DRAWN	LMP	4/16/2018							
	CHECKED	HRC	4/16/2018							
	ENG APPR.	HRC	10/23/18							
	MFG APPR.	BDB	10/23/18							
PRODUCTION	LS	10/23/18		PART NO: 40PPV-SE2-04 DESCRIPTION: LinkTech 40PP Series Inline Socket Female, Valved, 1/4" HB, Polypropylene						
<small>PROPRIETARY AND CONFIDENTIAL THE INFORMATION CONTAINED IN THIS DRAWING IS THE SOLE PROPERTY OF LINKTECH LLC. ANY REPRODUCTION OR DISCLOSURE IN PART OR AS A WHOLE WITHOUT THE WRITTEN PERMISSION OF LINKTECH LLC IS STRICTLY PROHIBITED.</small>				<table border="1"> <tr> <td>SIZE</td> <td>DWG. NO.</td> <td>REV</td> </tr> <tr> <td>C</td> <td>40PP400054</td> <td>C</td> </tr> </table>	SIZE	DWG. NO.	REV	C	40PP400054	C
SIZE	DWG. NO.	REV								
C	40PP400054	C								
<small>SCALE: NTS WEIGHT: SHEET 1 OF 1</small>										