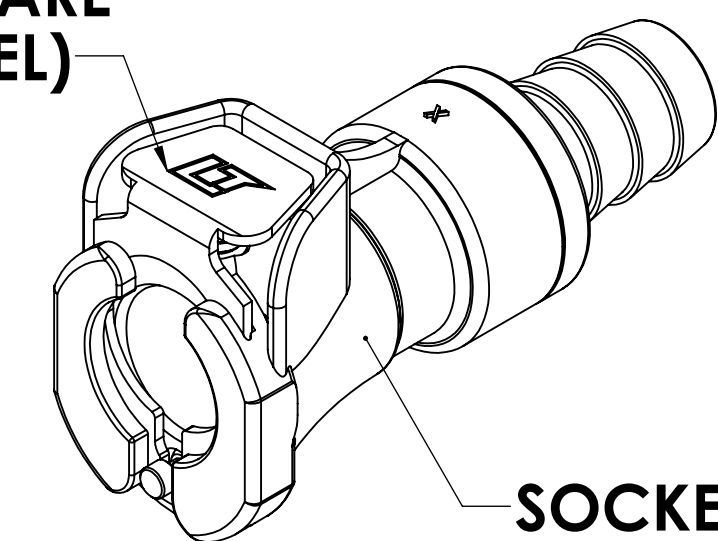
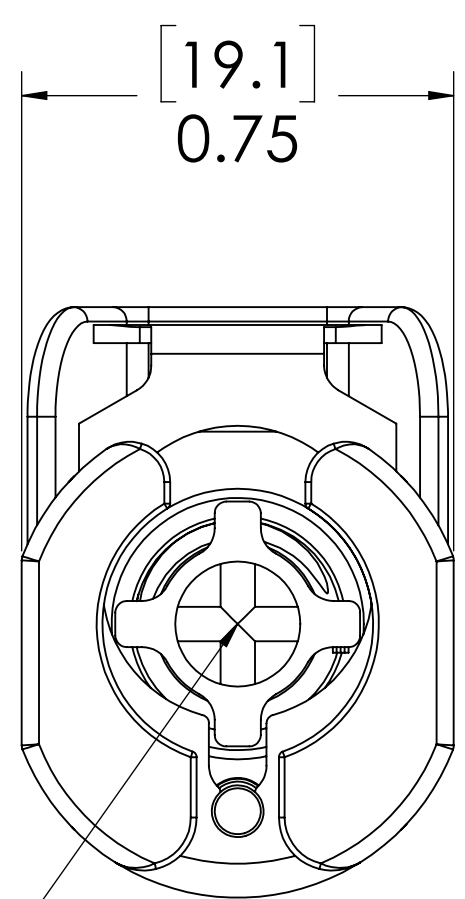


| REVISIONS | | | | | | |
|-----------|------|------|-------|--|------------|----------|
| SHEET | ZONE | REV. | ECO | DESCRIPTION | DATE | APPROVED |
| 1 | ALL | A | 50253 | UPDATE DWG TO CURRENT FORMAT & STANDARDS | 10/23/2018 | HRC |

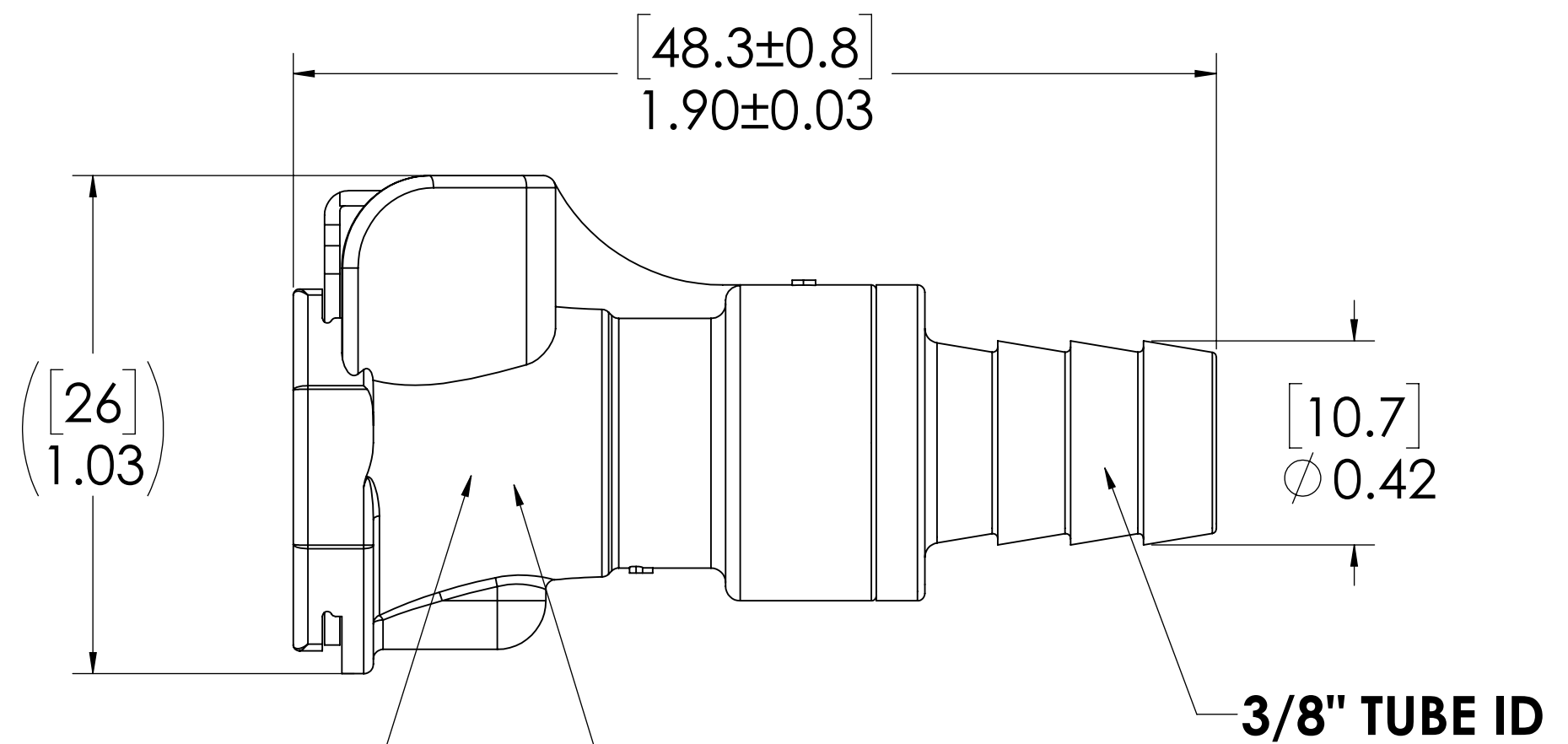
**LATCH HARDWARE
(STAINLESS STEEL)**



**SOCKET
(POLYPROPYLENE)**



**VALVE
(POLYPROPYLENE)**



**VALVE SPRING
INTERNAL
(STAINLESS STEEL)**

**VALVE O-RING
INTERNAL
(EPDM)**

3/8" TUBE ID

NOTES:

- MATERIAL: POLYPROPYLENE
- COLOR: MOLDED ALMOND
- O-RING MATERIAL: EPDM
- O-RINGS LUBRICATED WITH FOOD GRADE SILICONE OIL, 350 CST.

FOR REFERENCE ONLY

| | | | | |
|---|-----------|----------|-----------|--|
| <small>UNLESS OTHERWISE SPECIFIED: DIMENSIONS ARE IN INCHES TOLERANCES: FRACTIONAL ± 1/32 ANGULAR: MACH ± 0.5 BEND ± 2 ONE PLACE DECIMAL ± 0.1 TWO PLACE DECIMAL ± 0.01 THREE PLACE DECIMAL ± 0.005 TWO PLACE DECIMAL (mm) [± 0.12]</small> | DRAWN | LMP | 4/16/2018 | |
| | CHECKED | HRC | 4/16/2018 | |
| | ENG APPR. | HRC | 10/23/18 | |
| | MFG APPR. | BDB | 10/23/18 | |
| PRODUCTION | LS | 10/23/18 | | PART NO: 40PPV-SE2-06MALD DESCRIPTION: LinkTech 40PP Series Inline Socket Female, Valved, 3/8" HB, Molded Almond Color, Polypropylene |
| <small>PROPRIETARY AND CONFIDENTIAL THE INFORMATION CONTAINED IN THIS DRAWING IS THE SOLE PROPERTY OF LINKTECH LLC. ANY REPRODUCTION OR DISCLOSURE IN PART OR AS A WHOLE WITHOUT THE WRITTEN PERMISSION OF LINKTECH LLC IS STRICTLY PROHIBITED.</small> | | | | SCALE: NTS WEIGHT: SHEET 1 OF 1 |

SIZE DWG. NO. REV
C 40PP400136 **A**