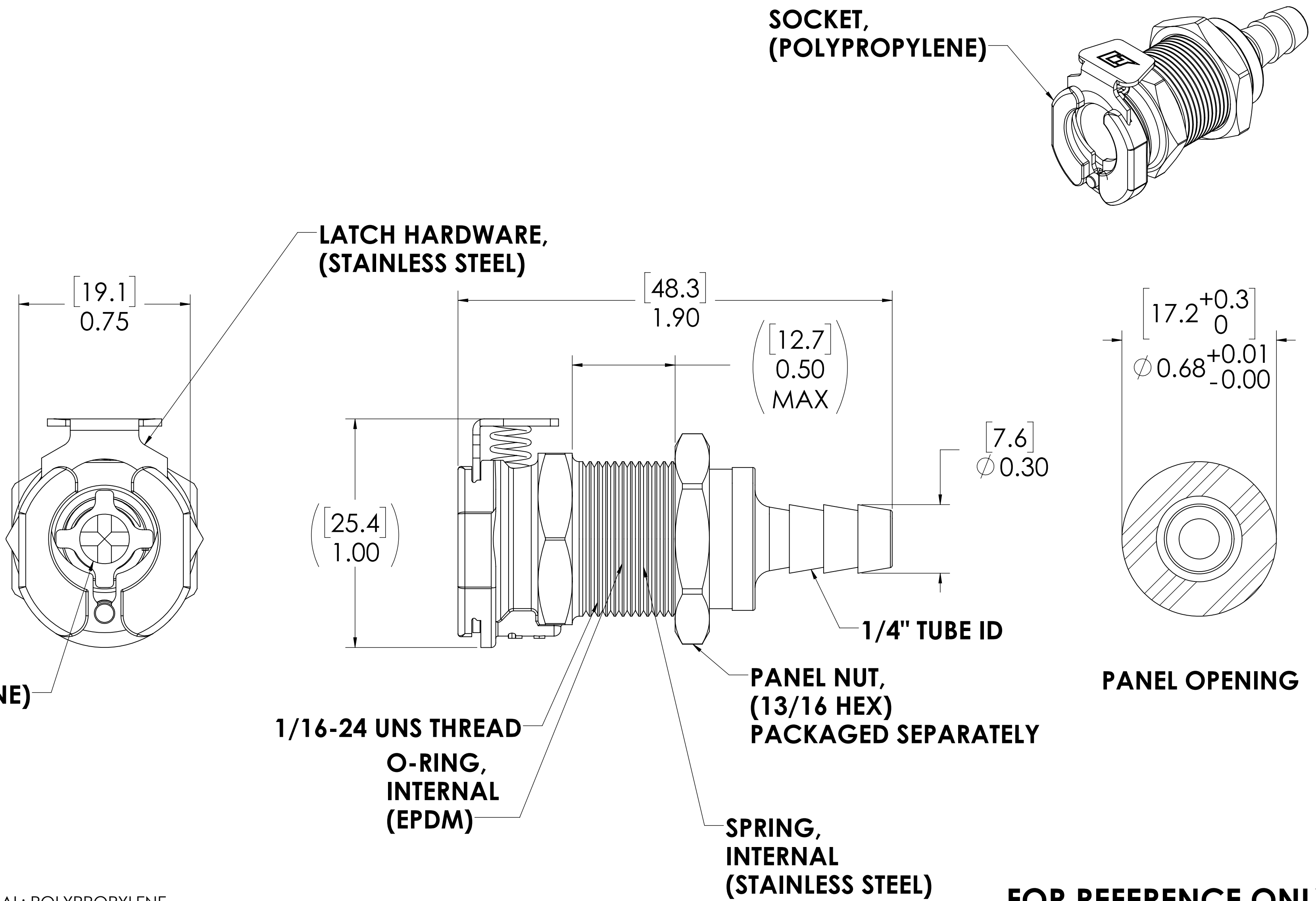


REVISIONS						
SHEET	ZONE	REV.	ECO	DESCRIPTION	DATE	APPROVED
1	ALL	A	50253	FORMAT UPDATE	1/8/2018	HRC



**VALVE,
(POLYPROPYLENE)**

**SOCKET,
(POLYPROPYLENE)**

**LATCH HARDWARE,
(STAINLESS STEEL)**

**1/16-24 UNS THREAD
O-RING,
INTERNAL
(EPDM)**

**PANEL NUT,
(13/16 HEX)
PACKAGED SEPARATELY**

**SPRING,
INTERNAL
(STAINLESS STEEL)**

PANEL OPENING

NOTES:

- MATERIAL: POLYPROPYLENE
- COLOR: ALMOND
- O-RING MATERIAL: EPDM
- O-RINGS LUBRICATED WITH FOOD GRADE SILICONE OIL, 350 CST.

FOR REFERENCE ONLY

<small>UNLESS OTHERWISE SPECIFIED: DIMENSIONS ARE IN INCHES TOLERANCES: FRACTIONAL ± 1/32 ANGULAR: MACH ± 0.5 BEND ± 2 ONE PLACE DECIMAL ± 0.1 TWO PLACE DECIMAL ± 0.01 THREE PLACE DECIMAL ± 0.005 TWO PLACE DUAL (mm) [± 0.12]</small>	DRAWN	RDA	8/6/2017	
	CHECKED	HRC	8/6/2017	
	ENG APPR.	HRC	01-08-18	
	MFG APPR.	BDB	01-08-18	
<small>PROPRIETARY AND CONFIDENTIAL THE INFORMATION CONTAINED IN THIS DRAWING IS THE SOLE PROPERTY OF LINKTECH LLC. ANY REPRODUCTION OR DISCLOSURE IN PART OR AS A WHOLE WITHOUT THE WRITTEN PERMISSION OF LINKTECH LLC IS STRICTLY PROHIBITED.</small>	PURCHASING	RK	01-08-18	PART NO: 40PPV-SE3-04MALD DESCRIPTION: LinkTech 40PP Series Panel Mt. Female, Valved 1/4" PTF, Molded Almond Color, Polypropylene
SIZE DWG. NO.		REV		SCALE: NTS WEIGHT: SHEET 1 OF 1
C 40PP400127		A		