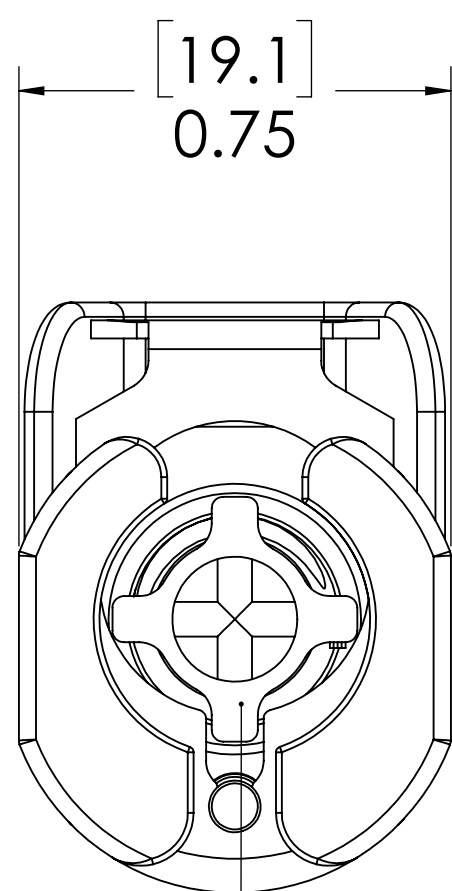
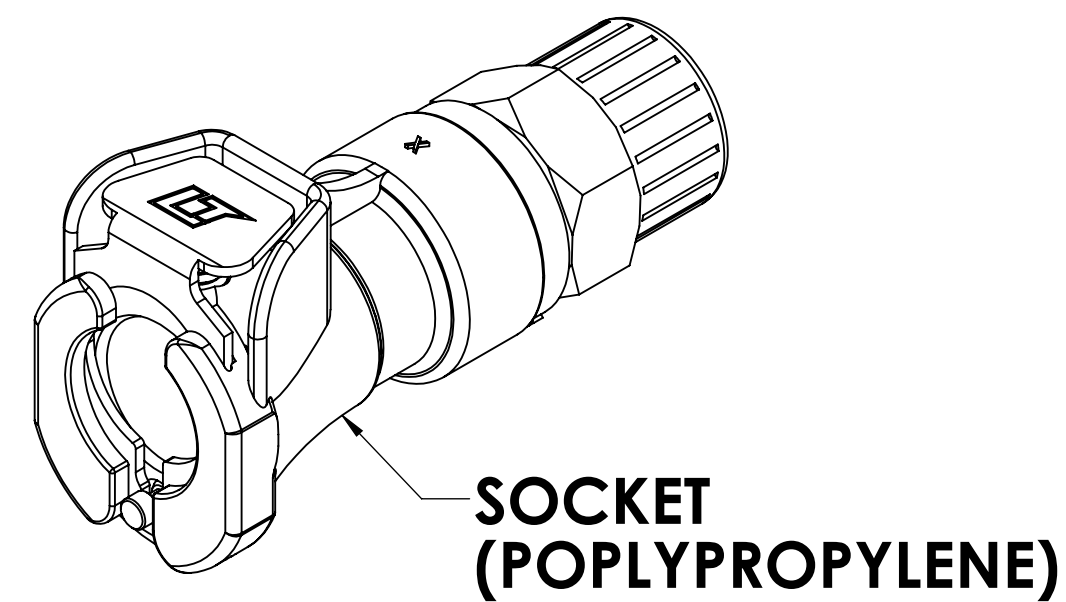
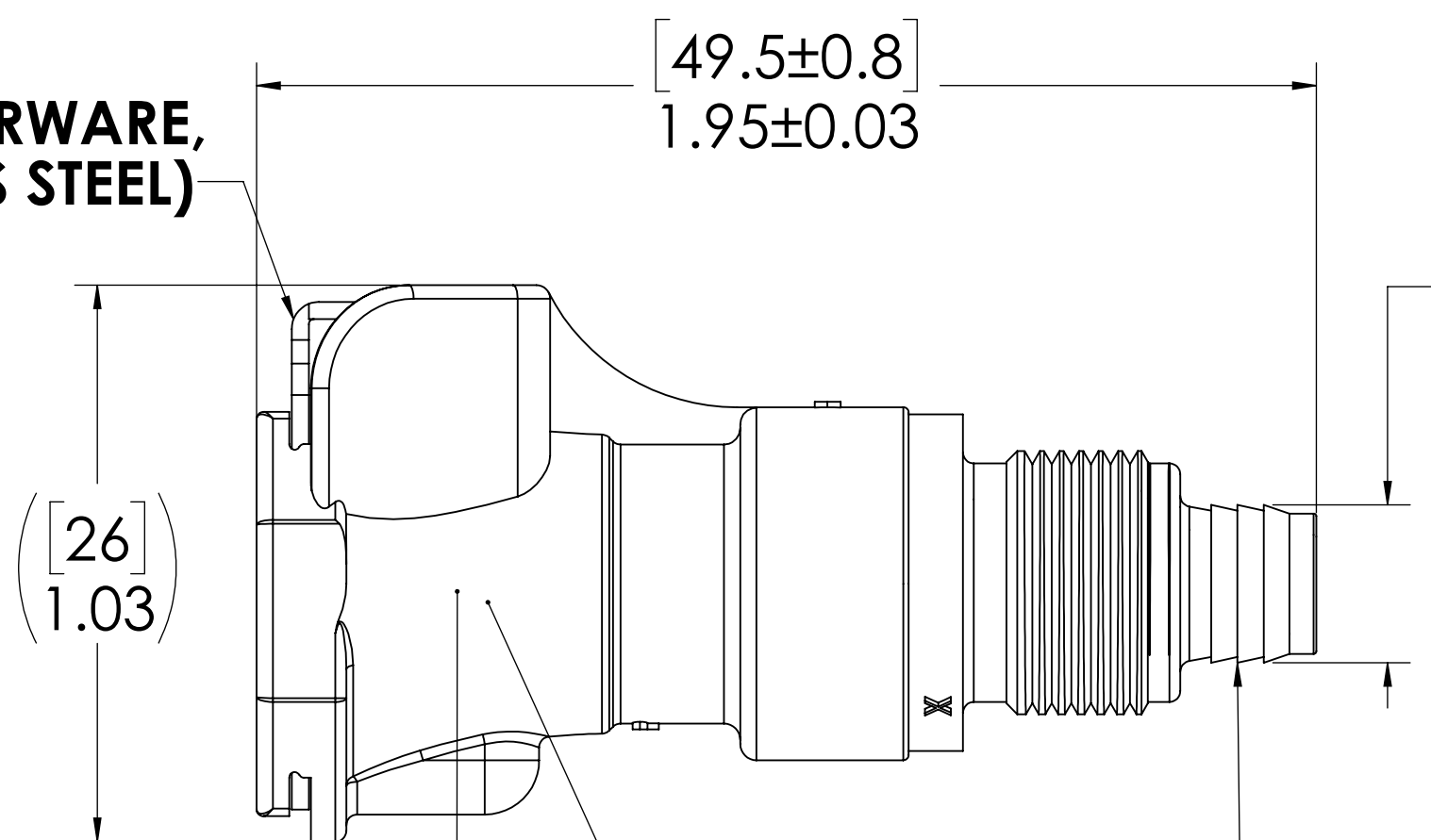


REVISIONS						
SHEET	ZONE	REV.	ECO	DESCRIPTION	DATE	APPROVED
1	ALL	A	50253	2017 FORMAT UPDATE	7/26/2018	HRC



**VALVE
(POLYPROPYLENE)**

**LATCH HARWARE,
(STAINLESS STEEL)**

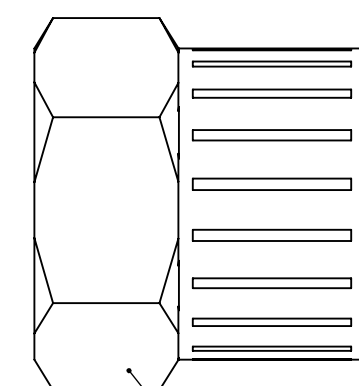


**VALVE SPRING
INTERNAL,
(STAINLESS STEEL)**

**VALVE
O-RING,
(EPDM)**

7.4
∅ 0.29

3/8" TUBE OD



**PTF NUT
(BRASS, NICKEL PLATED)
(PACKAGED SEPARATELY)**

NOTES:

1. MATERIAL: POLYPROPYLENE
2. COLOR: GREY
3. O-RING MATERIAL: EPDM
4. O-RINGS LUBRICATED WITH FOOD GRADE SILICONE OIL, 350 CST.

FOR REFERENCE ONLY

<small>UNLESS OTHERWISE SPECIFIED: DIMENSIONS ARE IN INCHES TOLERANCES: FRACTIONAL ± 1/32 ANGULAR: MACH ± 0.5 BEND ± 2 ONE PLACE DECIMAL ± 0.1 TWO PLACE DECIMAL ± 0.01 THREE PLACE DECIMAL ± 0.005 TWO PLACE DUAL (mm) [± 0.12]</small>	DRAWN	RDA	7/5/2018	
	CHECKED	HRC	7/5/2018	
	ENG APPR.	HRC	7/26/18	
	MFG APPR.	BDB	7/26/18	
PRODUCTION	LS	7/26/18		PART NO: 40PPV-SE9-06 DESCRIPTION: LinkTech 40PP Series Straight Female, Valved, 375 PTF, molded Grey color, Polypropylene, EPDM O-ring
<small>PROPRIETARY AND CONFIDENTIAL THE INFORMATION CONTAINED IN THIS DRAWING IS THE SOLE PROPERTY OF LINKTECH LLC. ANY REPRODUCTION OR DISCLOSURE IN PART OR AS A WHOLE WITHOUT THE WRITTEN PERMISSION OF LINKTECH LLC IS STRICTLY PROHIBITED.</small>	COMMENTS:			SIZE DWG. NO. REV C 40PP400061 A
SCALE: NTS		WEIGHT:	SHEET 1 OF 1	