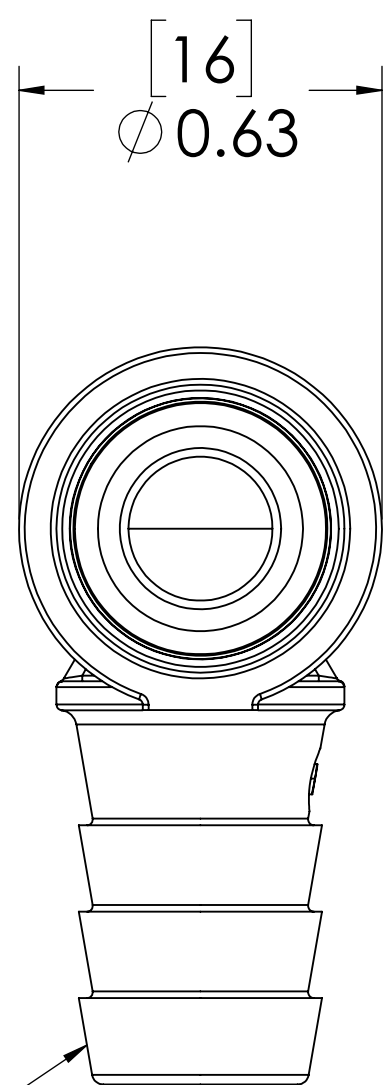
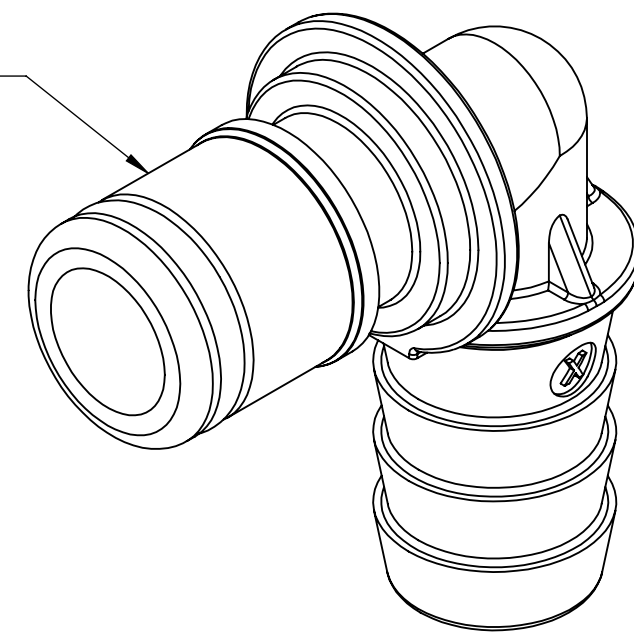


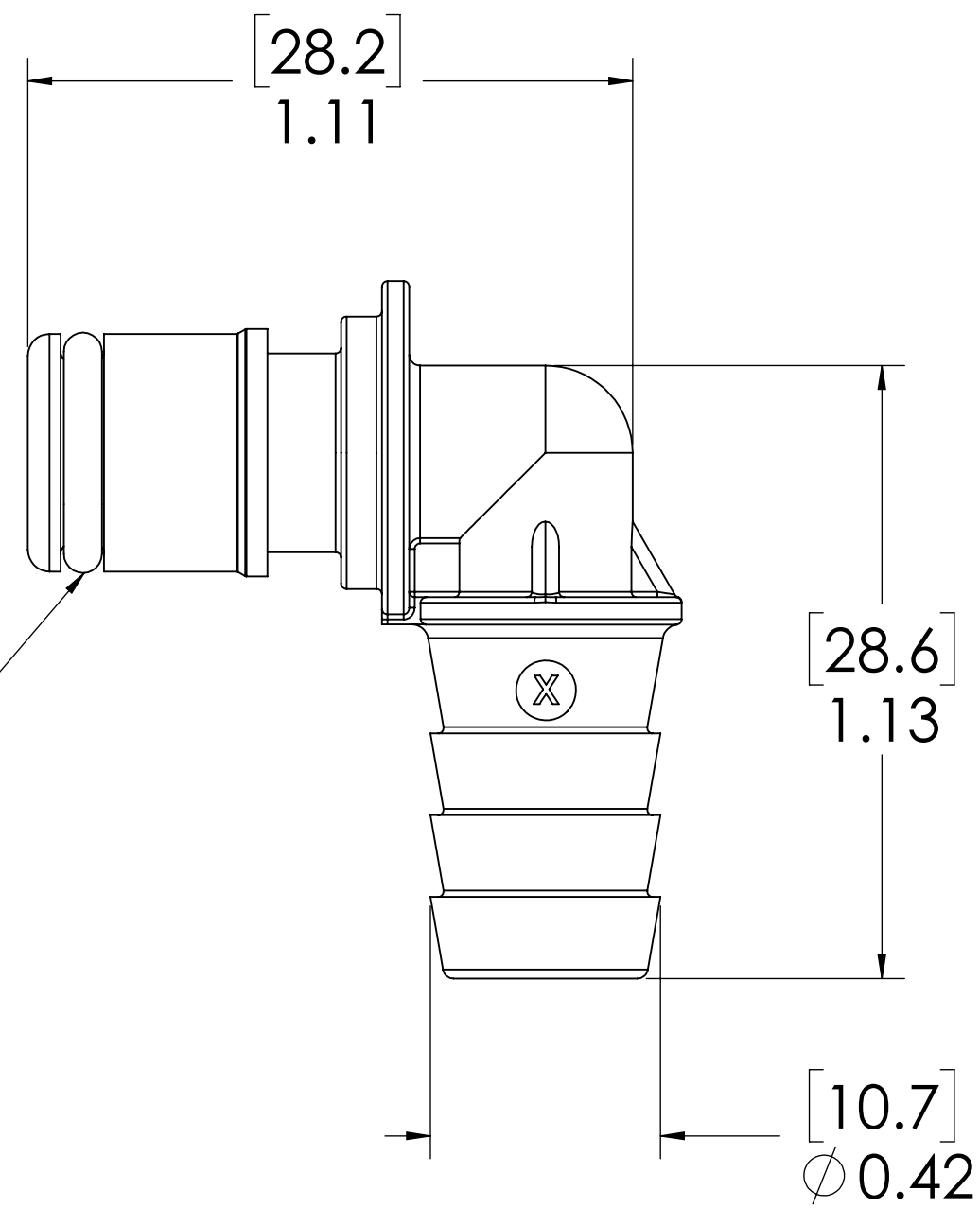
REVISIONS						
SHEET	ZONE	REV.	ECO	DESCRIPTION	DATE	APPROVED
1	ALL	A	50253	UPDATE FORMAT	2/26/2018	HRC

**PLUG,
(ACETAL)**



3/8" TUBE ID

**O-RING
EXTERNAL,
(BUNA-N)**



NOTES:

1. MATERIAL: ACETAL
2. COLOR: NATURAL WHITE
3. O-RING MATERIAL: BUNA-N
4. O-RINGS LUBRICATED WITH FOOD GRADE SILICONE OIL, 350 CST.

FOR REFERENCE ONLY

<small>UNLESS OTHERWISE SPECIFIED: DIMENSIONS ARE IN INCHES TOLERANCES: FRACTIONAL ± 1/32 ANGULAR, MACH ± 0.5 BEND ± 2 ONE PLACE DECIMAL ± 0.1 TWO PLACE DECIMAL ± 0.01 THREE PLACE DECIMAL ± 0.005 TWO PLACE DUAL (mm) [± 0.12]</small>	DRAWN	NAME	DATE	
	CHECKED	HRC	3/16/2017	
	ENG APPR.	HRC	3/21/2017	
	MFG APPR.	BDB	3/21/2017	
<small>PROPRIETARY AND CONFIDENTIAL</small>	Q.A.	JJB	3/21/2017	PART NO: 50AC-PB4-06
<small>THE INFORMATION CONTAINED IN THIS DRAWING IS THE SOLE PROPERTY OF LINKTECH LLC. ANY REPRODUCTION OR DISCLOSURE IN PART OR AS A WHOLE WITHOUT THE WRITTEN PERMISSION OF LINKTECH LLC IS STRICTLY PROHIBITED.</small>	COMMENTS:			DESCRIPTION: LinkTech 50AC Series Elbow Male, Non-valved, 375 HB, Natural Acetal
			SIZE DWG. NO. C50AC500236	REV B
			SCALE: NTS	WEIGHT:
			SHEET 1 OF 1	