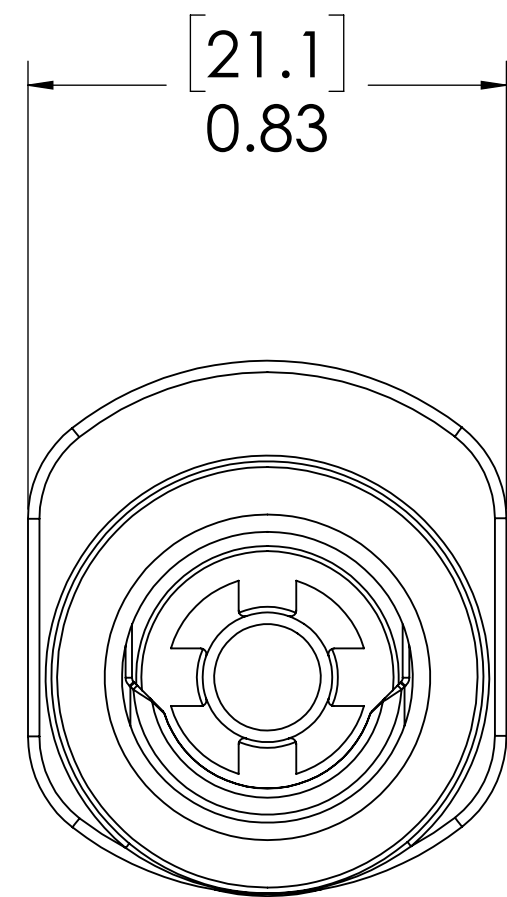
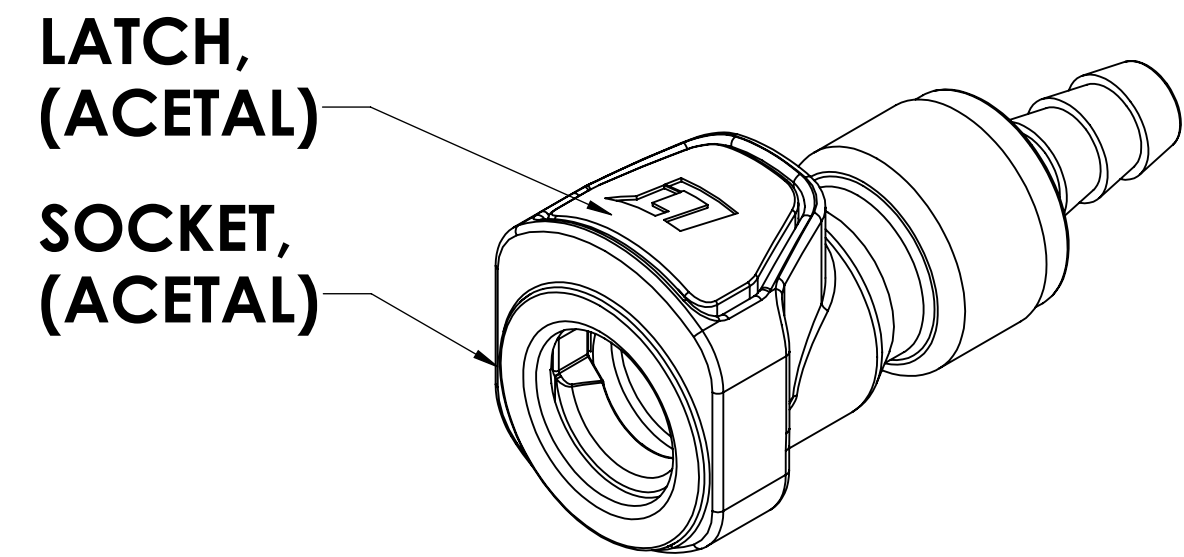
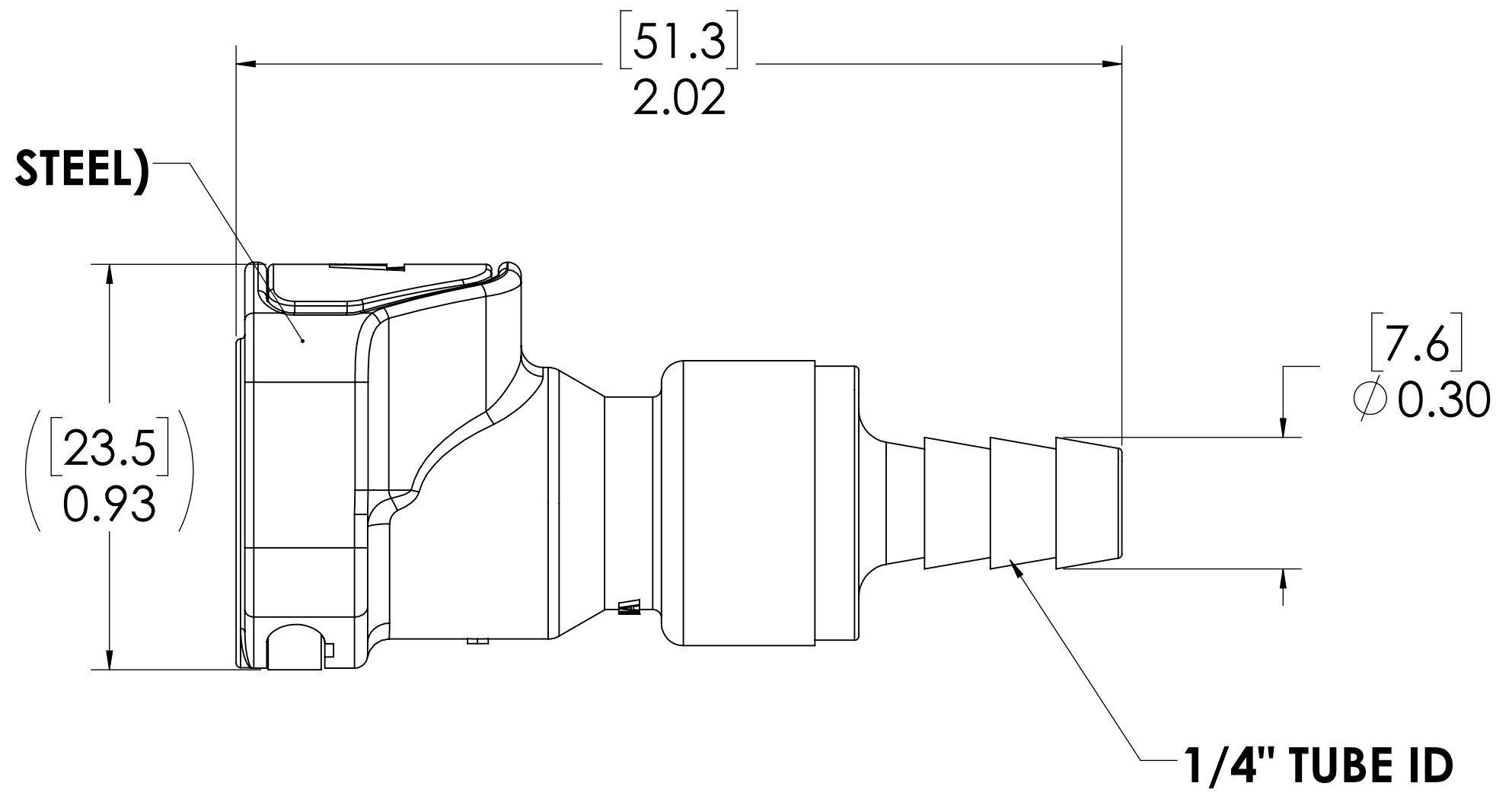


REVISIONS						
SHEET	ZONE	REV.	ECO	DESCRIPTION	DATE	APPROVED
1	ALL	A	50253	2017 FORMAT UPDATE	2/13/2018	HRC



**SPRING,
(STAINLESS STEEL)**



FOR REFERENCE ONLY

- NOTES:**
- MATERIAL: ACETAL
 - COLOR: NATURAL WHITE

<small>UNLESS OTHERWISE SPECIFIED: DIMENSIONS ARE IN INCHES TOLERANCES: FRACTIONAL ± 1/32 ANGULAR, MACH ± 0.5 BEND ± 2 ONE PLACE DECIMAL ± 0.1 TWO PLACE DECIMAL ± 0.01 THREE PLACE DECIMAL ± 0.005 TWO PLACE DUAL (mm) [± 0.12]</small>	DRAWN	C. DAVIS	07-21-15							
	CHECKED	HRC	07-21-15							
	ENG APPR.	HRC	02-13-18							
	MFG APPR.	BDB	02-13-18							
<small>PROPRIETARY AND CONFIDENTIAL THE INFORMATION CONTAINED IN THIS DRAWING IS THE SOLE PROPERTY OF LINKTECH LLC. ANY REPRODUCTION OR DISCLOSURE IN PART OR AS A WHOLE WITHOUT THE WRITTEN PERMISSION OF LINKTECH LLC IS STRICTLY PROHIBITED.</small>	Q.A.	JJB	02-13-18	PART NO: 50AC-S2-04LB DESCRIPTION: LinkTech 50AC Series Straight Female, Non-valved, 250 HB, Long Body, Natural Acetal <table border="1"> <tr> <td>SIZE</td> <td>DWG. NO.</td> <td>REV</td> </tr> <tr> <td>C</td> <td>50AC500147</td> <td>A</td> </tr> </table>	SIZE	DWG. NO.	REV	C	50AC500147	A
SIZE	DWG. NO.	REV								
C	50AC500147	A								
<small>SCALE: NTS</small>			<small>WEIGHT:</small>	<small>SHEET 1 OF 1</small>						