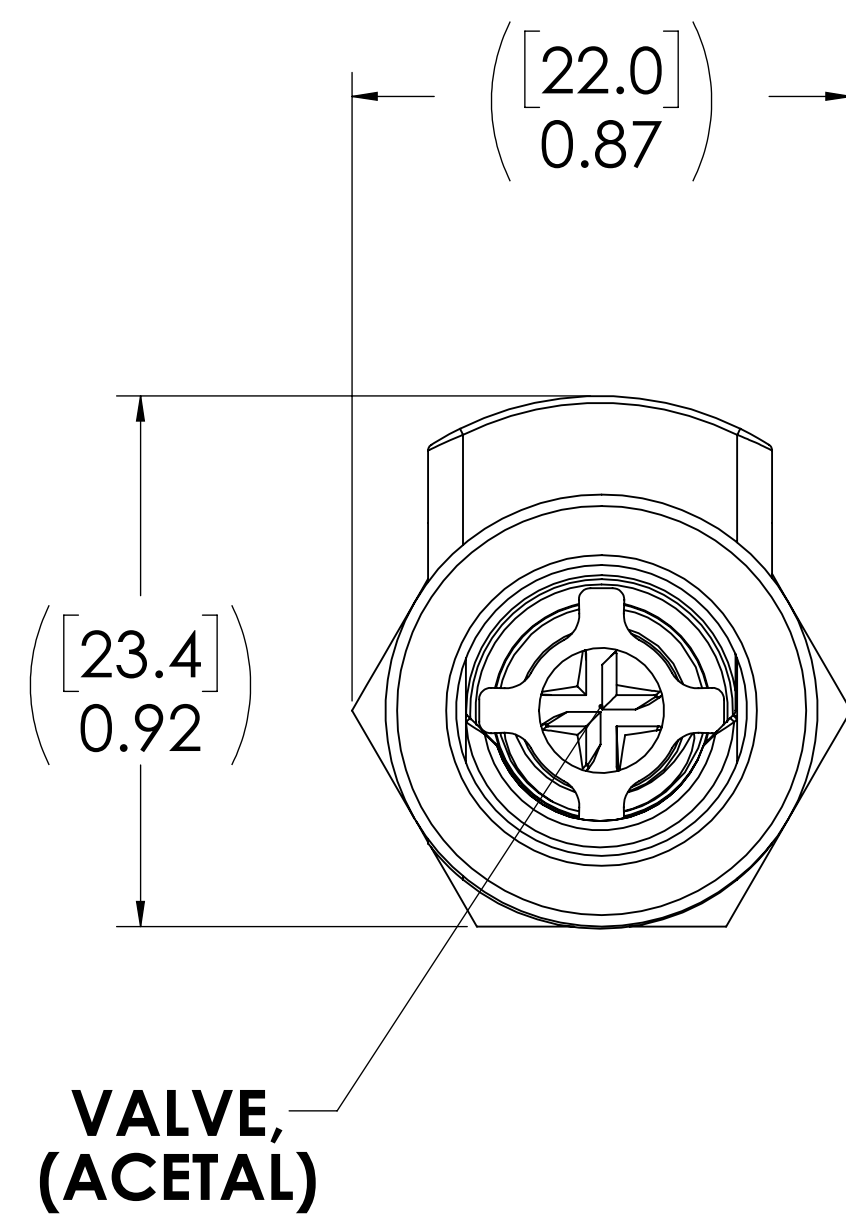
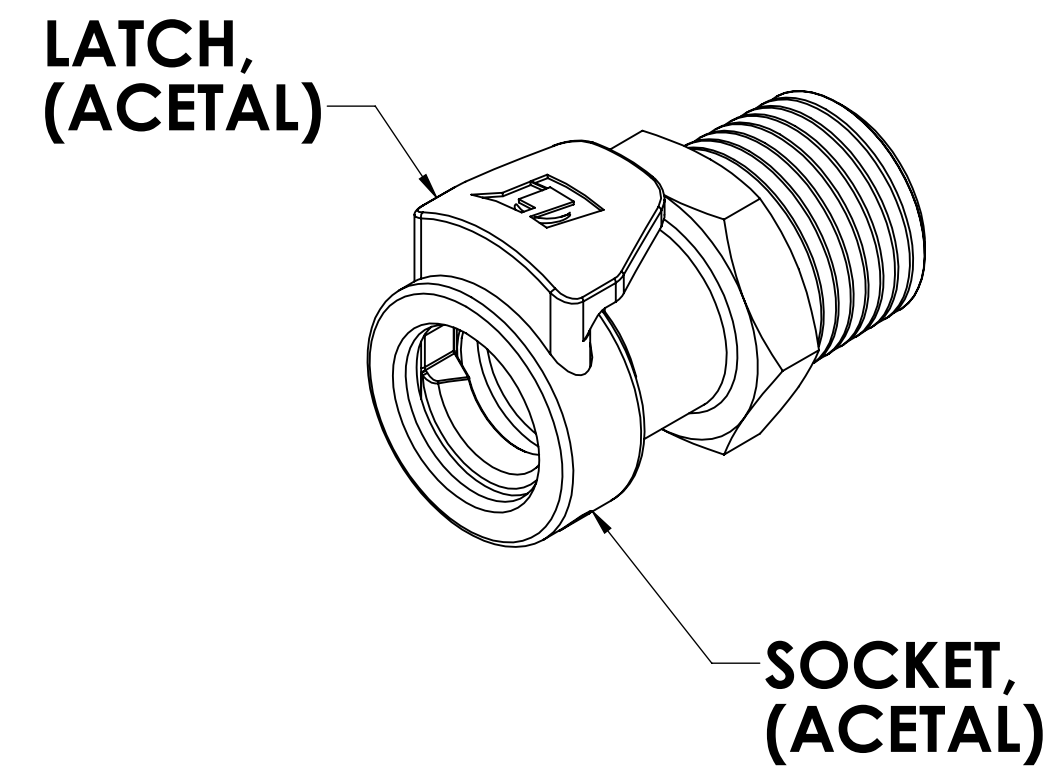
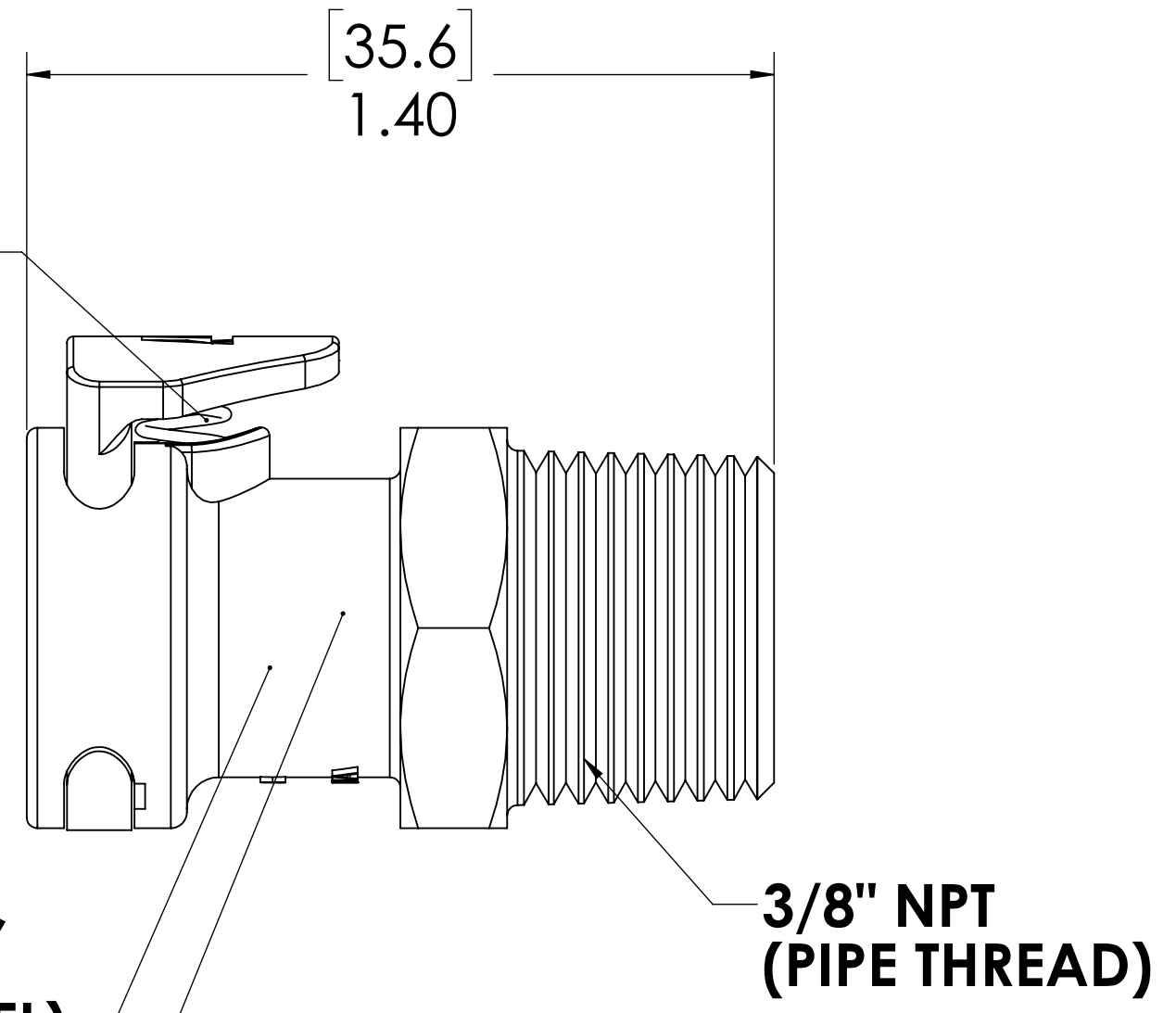


REVISIONS						
SHEET	ZONE	REV.	ECO	DESCRIPTION	DATE	APPROVED
1	ALL	A	S0253	DWG DRAFTING UPDATE	8/2/2018	HRC



**LATCH SPRING
(STAINLESS STEEL)**




**VALVE SPRING,
INTERNAL
(STAINLESS STEEL)**

**VALVE O-RING,
INTERNAL
(BUNA)**

**3/8" NPT
(PIPE THREAD)**

- NOTES:**
- MATERIAL: ACETAL
 - COLOR: NATURAL WHITE
 - O-RING MATERIAL: BUNA-N
 - O-RINGS LUBRICATED WITH FOOD GRADE SILICONE OIL, 350 CST.

FOR REFERENCE ONLY

<small>UNLESS OTHERWISE SPECIFIED: DIMENSIONS ARE IN INCHES TOLERANCES: FRACTIONAL ± 1/32 ANGULAR: MACH ± 0.5 BEND ± 2 ONE PLACE DECIMAL ± 0.1 TWO PLACE DECIMAL ± 0.01 THREE PLACE DECIMAL ± 0.005 TWO PLACE DUAL (mm) [± 0.12]</small>	DRAWN	CBH	7/12/2017	 PART NO: 50ACV-SB1-06 <small>DESCRIPTION: LinkTech 50AC Series Male Thread Female, Valved, 3/8" MNPT, Natural Acetal</small>
	CHECKED	HRC	7/12/2017	
	ENG APPR.	HRC	8/2/18	
	MFG APPR.	BDB	8/2/18	
PRODUCTION	LS	8/2/18	COMMENTS:	<small>SIZE DWG. NO. REV</small> C 50AC500264 A
<small>PROPRIETARY AND CONFIDENTIAL</small> <small>THE INFORMATION CONTAINED IN THIS DRAWING IS THE SOLE PROPERTY OF LINKTECH LLC. ANY REPRODUCTION OR DISCLOSURE IN PART OR AS A WHOLE WITHOUT THE WRITTEN PERMISSION OF LINKTECH LLC IS STRICTLY PROHIBITED.</small>			<small>SCALE: NTS WEIGHT: SHEET 1 OF 1</small>	