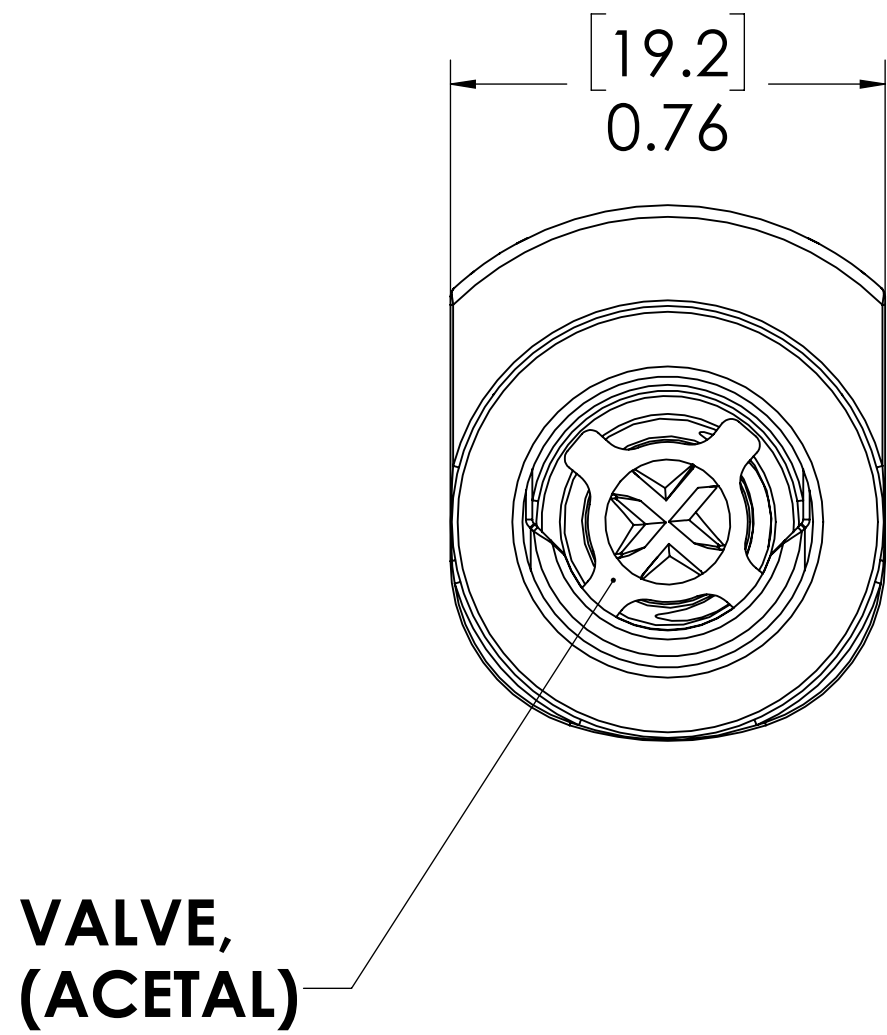
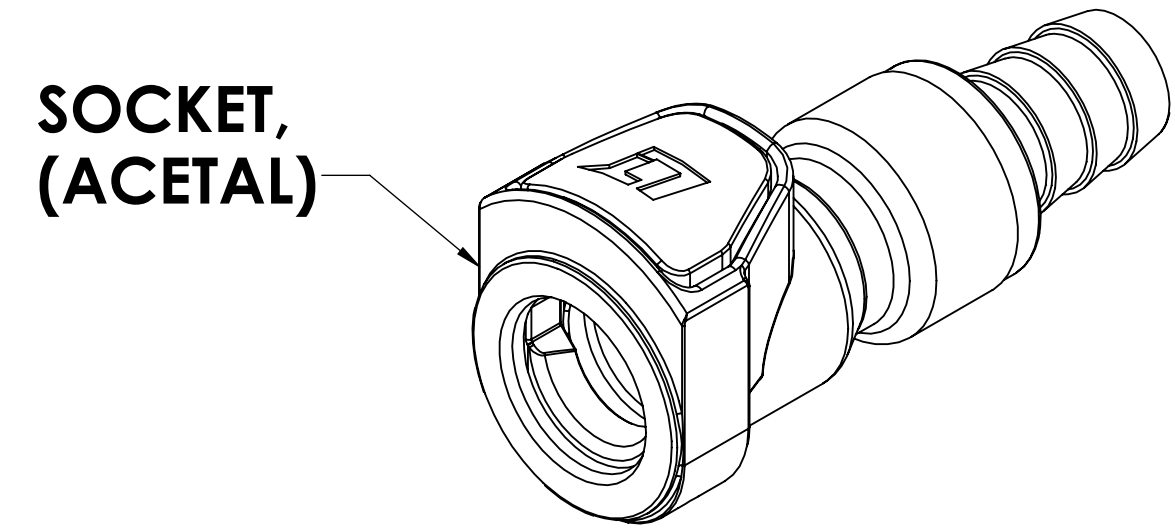
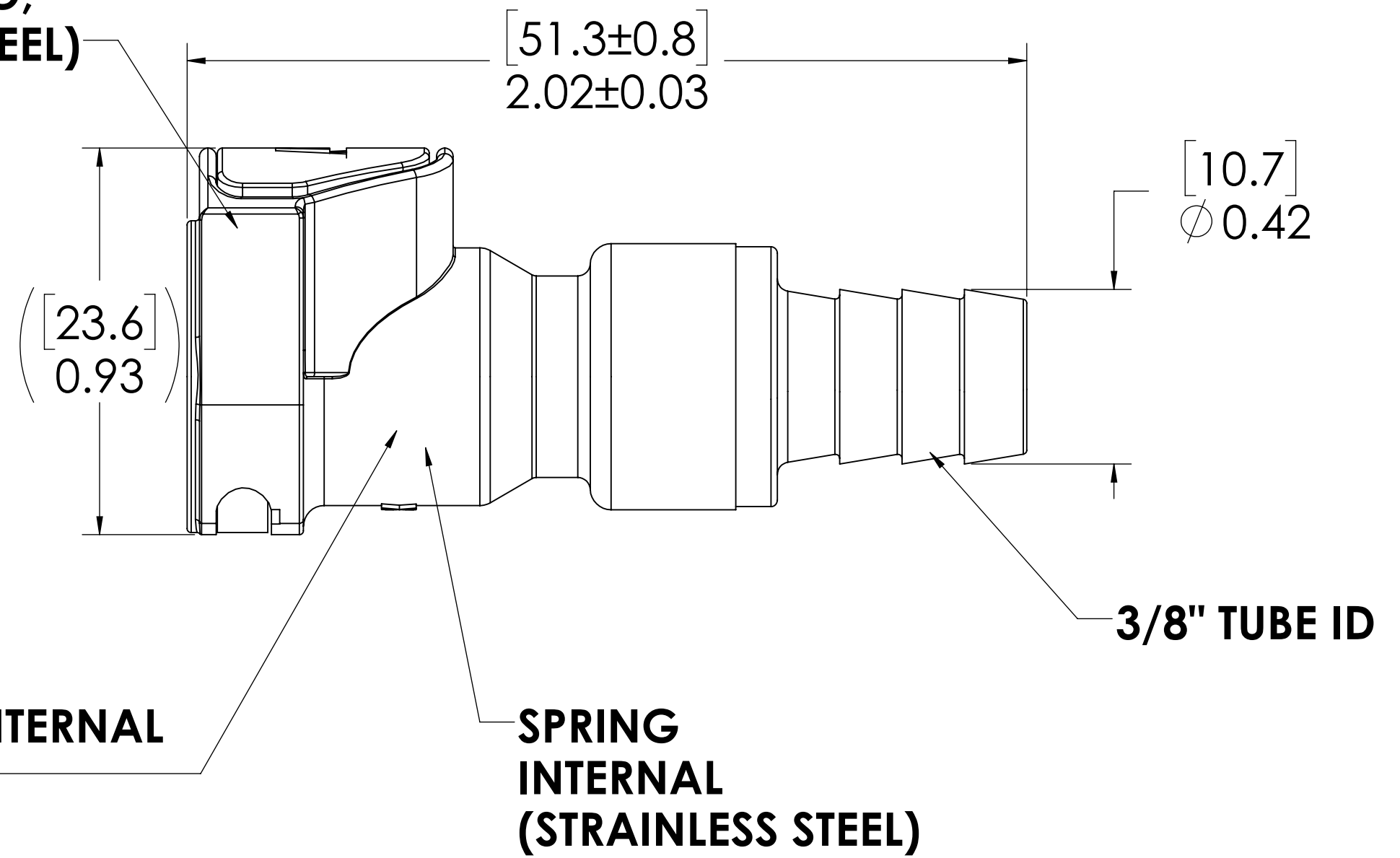


| REVISIONS | | | | | | |
|-----------|------|------|-------|---------------|----------|----------|
| SHEET | ZONE | REV. | ECO | DESCRIPTION | DATE | APPROVED |
| 1 | ALL | A | 50243 | FORMAT UPDATE | 2/6/2018 | HRC |




**LATCH SPRING,
(STAINLESS STEEL)**



NOTES:

1. MATERIAL: ACETAL
2. COLOR: NATURAL WHITE
3. O-RING MATERIAL: BUNA-N
4. O-RINGS LUBRICATED WITH FOOD GRADE SILICONE OIL, 350 CST.

FOR REFERENCE ONLY

| | | | | |
|---|------------|-----|-----------|---|
| <small>UNLESS OTHERWISE SPECIFIED: DIMENSIONS ARE IN INCHES TOLERANCES: FRACTIONAL ±1/32 ANGULAR: MACH ±0.5 BEND ±2 ONE PLACE DECIMAL ±0.1 TWO PLACE DECIMAL ±0.01 THREE PLACE DECIMAL ±0.005 TWO PLACE DUAL (mm) [±0.12]</small> | DRAWN | RDA | 8/16/2017 |  PART NO: 50ACV-SB2-06 DESCRIPTION: LinkTech 50AC Series Straight Female, Valved, 375 HB, Natural Acetal |
| | CHECKED | HRC | 8/16/2017 | |
| | ENG APPR. | HRC | 02-06-18 | |
| | MFG APPR. | BDB | 02-06-18 | |
| <small>PROPRIETARY AND CONFIDENTIAL THE INFORMATION CONTAINED IN THIS DRAWING IS THE SOLE PROPERTY OF LINKTECH LLC. ANY REPRODUCTION OR DISCLOSURE IN PART OR AS A WHOLE WITHOUT THE WRITTEN PERMISSION OF LINKTECH LLC IS STRICTLY PROHIBITED.</small> | PRODUCTION | RK | 02-06-18 | <small>SCALE: NTS WEIGHT: SHEET 1 OF 1</small> |