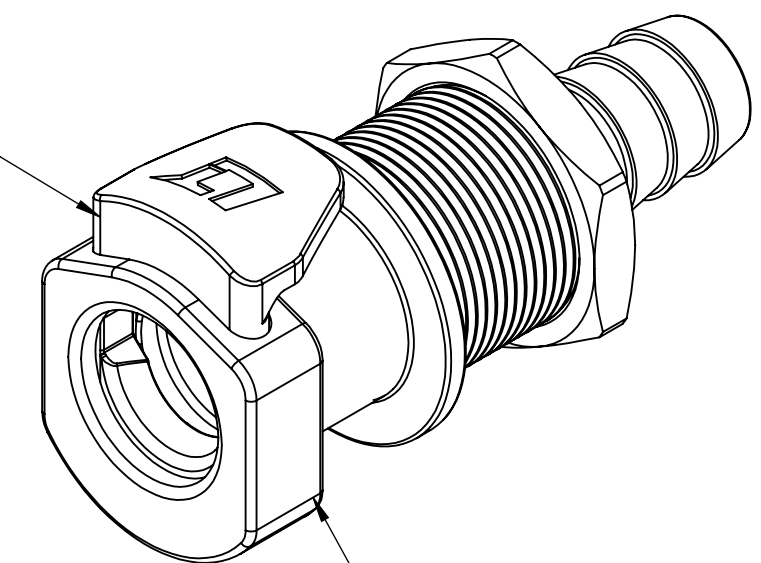


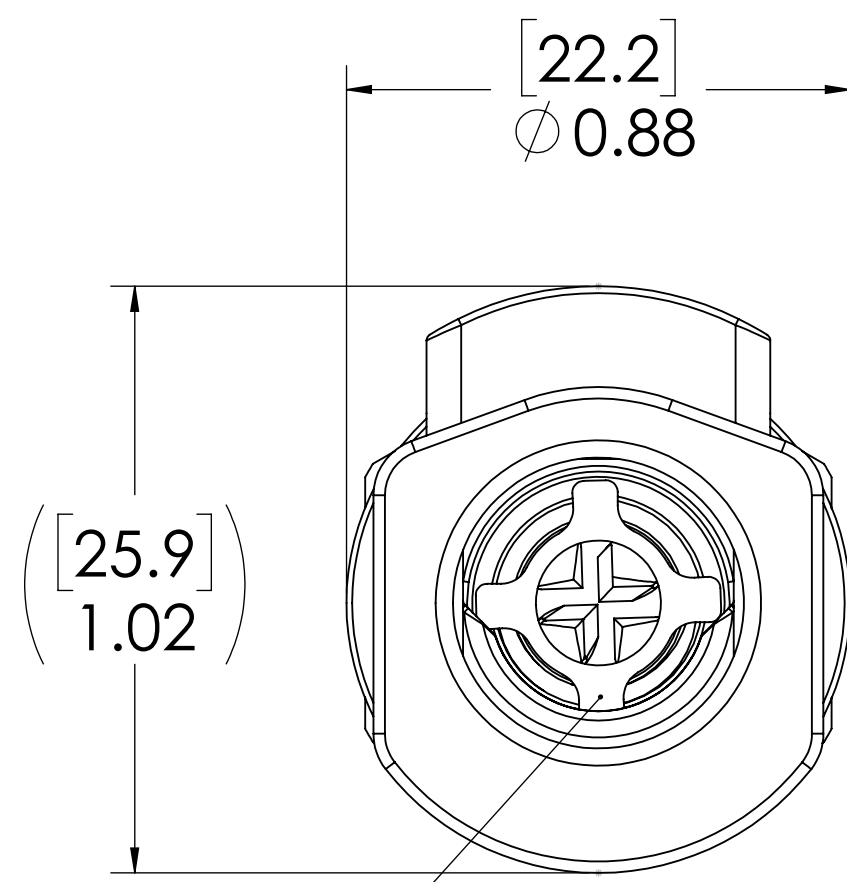
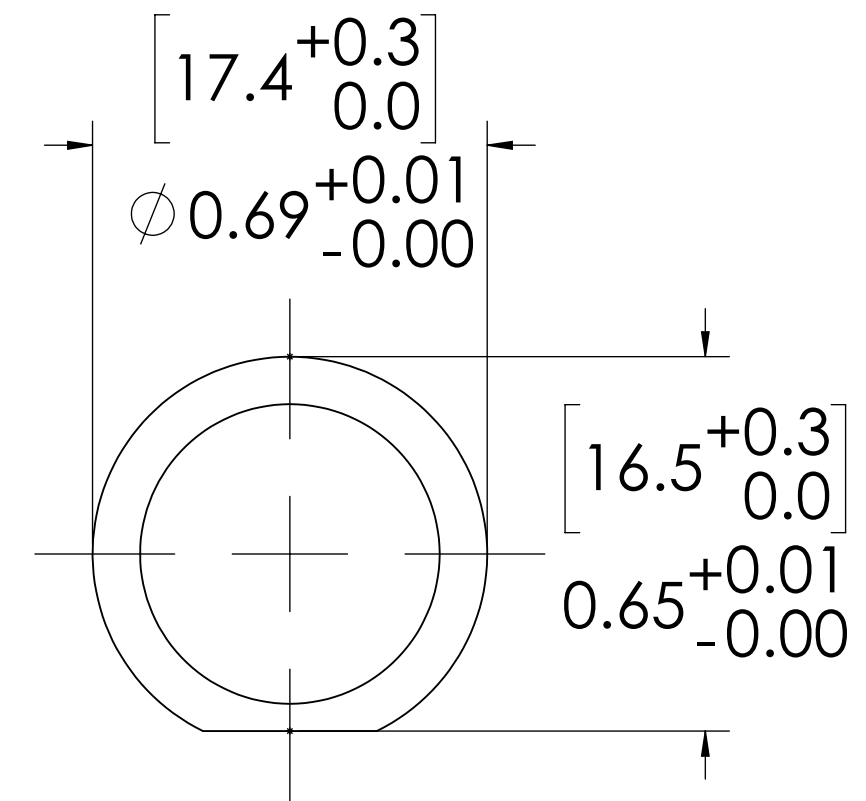
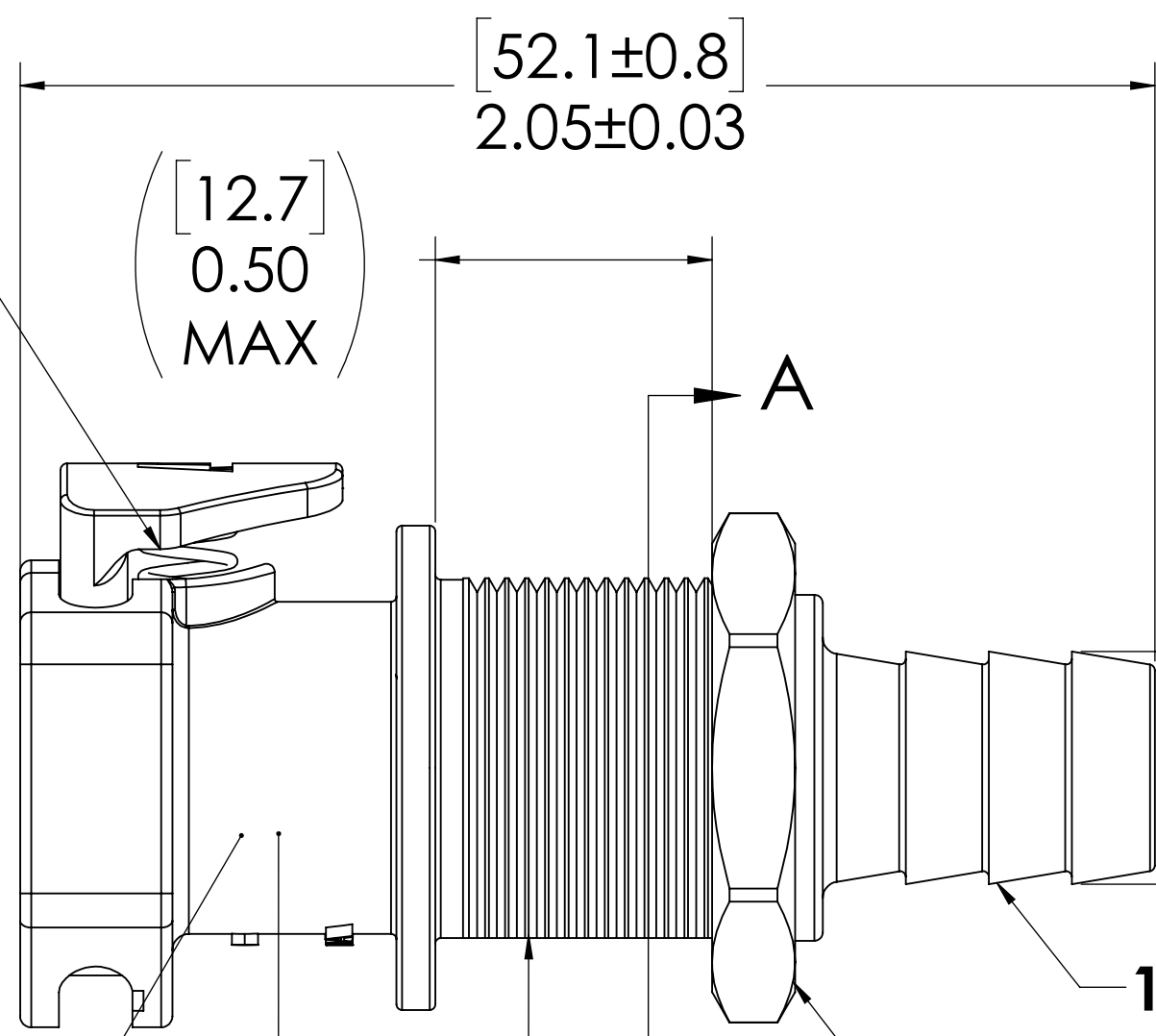
REVISIONS						
SHEET	ZONE	REV.	ECO	DESCRIPTION	DATE	APPROVED
1	ALL	A	50253	DRAFTING UPDATE	7/27/2018	HRC

**LATCH
(ACETAL)**



**SOCKET,
(ACETAL)**

**LATCH SPRING
(STAINLESS STEEL)**



**VALVE
(ACETAL)**

**VALVE SPRING
INTERNAL
(STAINLESS
STEEL)**

**VALVE O-RING
INTERNAL
(BUNA-N)**

- NOTES:**
- MATERIAL: ACETAL
 - COLOR: NATURAL WHITE
 - O-RING MATERIAL: BUNA-N
 - O-RINGS LUBRICATED WITH FOOD GRADE SILICONE OIL, 350 CST.

FOR REFERENCE ONLY

<small>UNLESS OTHERWISE SPECIFIED: DIMENSIONS ARE IN INCHES TOLERANCES: FRACTIONAL ± 1/32 ANGULAR, MACH ± 0.5 BEND ± 2 ONE PLACE DECIMAL ± 0.1 TWO PLACE DECIMAL ± 0.01 THREE PLACE DECIMAL ± 0.005 TWO PLACE DUAL (mm) [± 0.12]</small>	<small>DRAWN</small> CBH 8/23/2017		
	<small>CHECKED</small> HRC 8/23/2017		PART NO: 50ACV-SB3-04
	<small>ENG APPR.</small> HRC 7/27/18		<small>DESCRIPTION:</small> LinkTech 50AC Series Panel Mt. Female, Valved, 1/4" HB, Natural Acetal
	<small>MFG APPR.</small> BDB 7/27/18		<small>SIZE DWG. NO.</small> C 50AC500047
<small>PRODUCTION</small> LS 7/27/18	<small>REV</small> A	<small>SCALE: NTS WEIGHT:</small>	
<small>THE INFORMATION CONTAINED IN THIS DRAWING IS THE SOLE PROPERTY OF LINKTECH LLC. ANY REPRODUCTION OR DISCLOSURE IN PART OR AS A WHOLE WITHOUT THE WRITTEN PERMISSION OF LINKTECH LLC IS STRICTLY PROHIBITED.</small>	<small>COMMENTS:</small>	<small>SHEET 1 OF 1</small>	