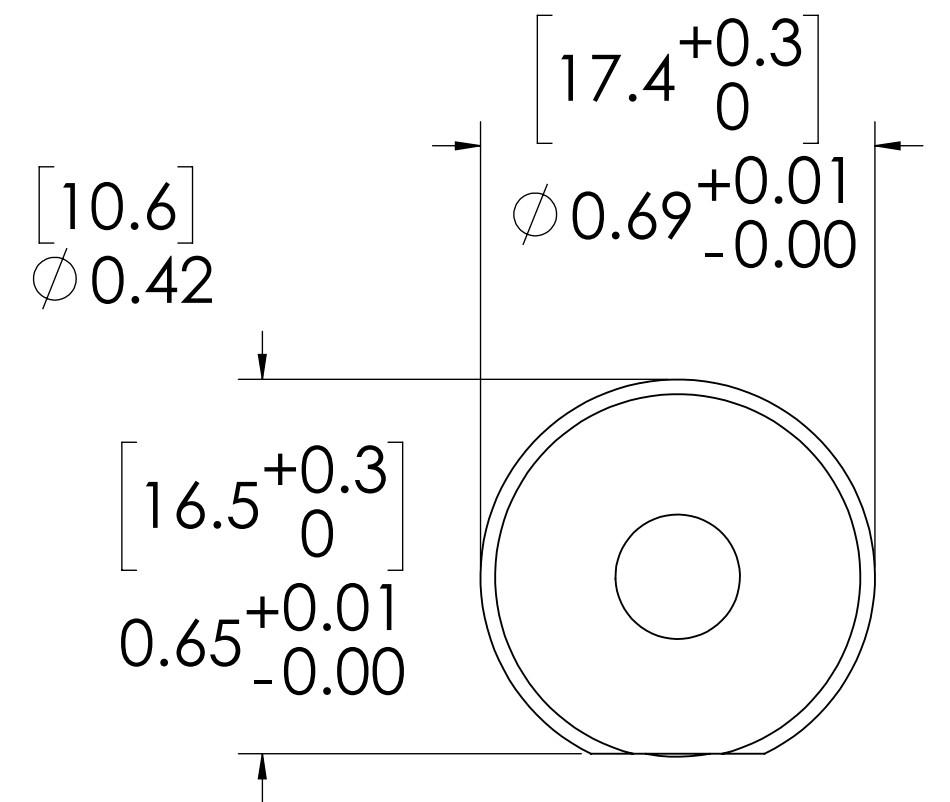
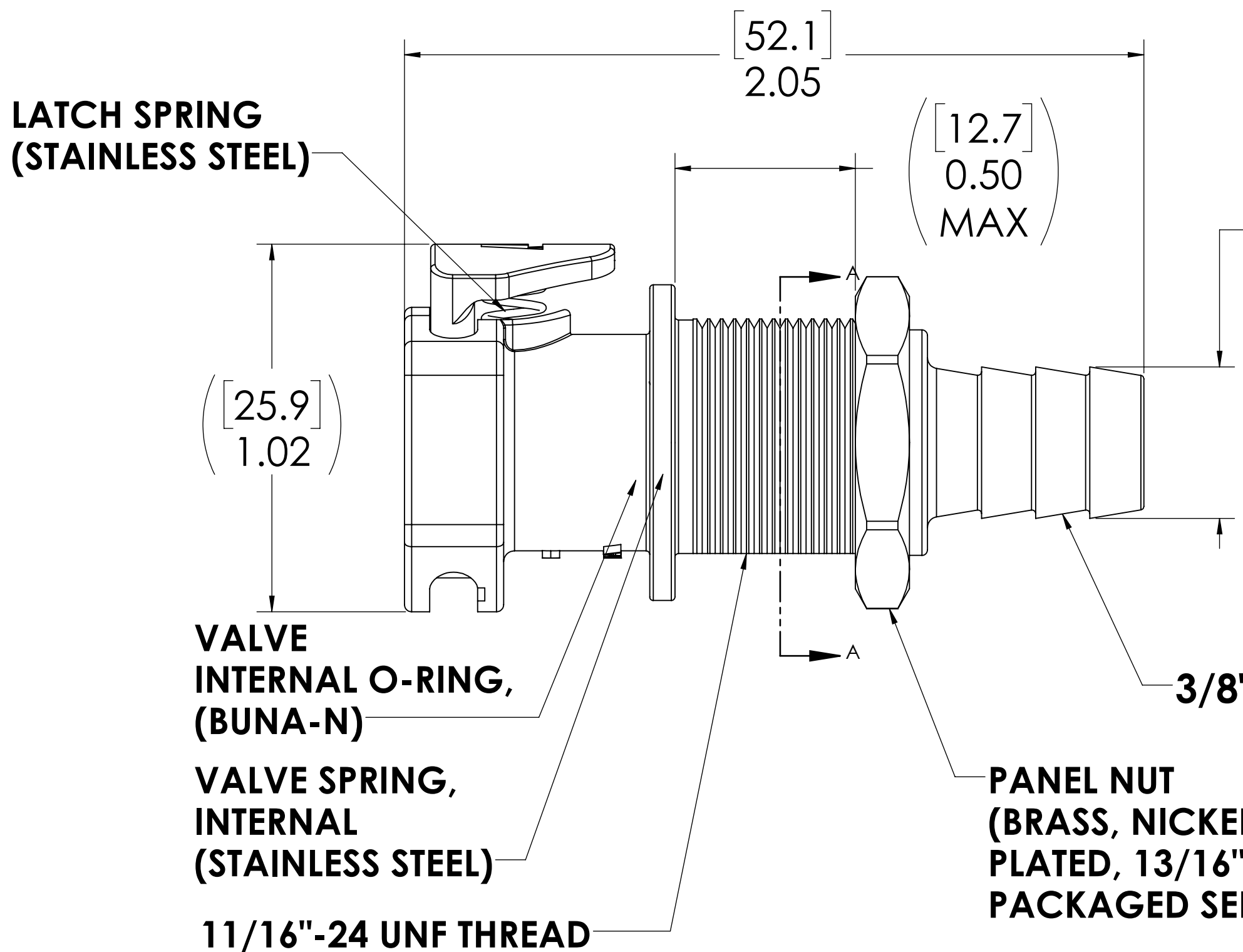
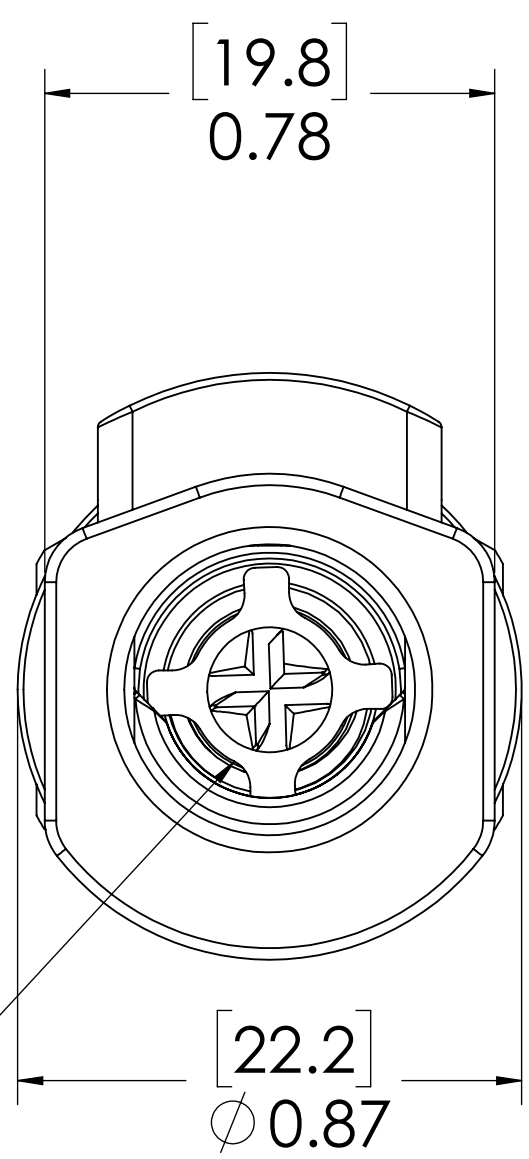
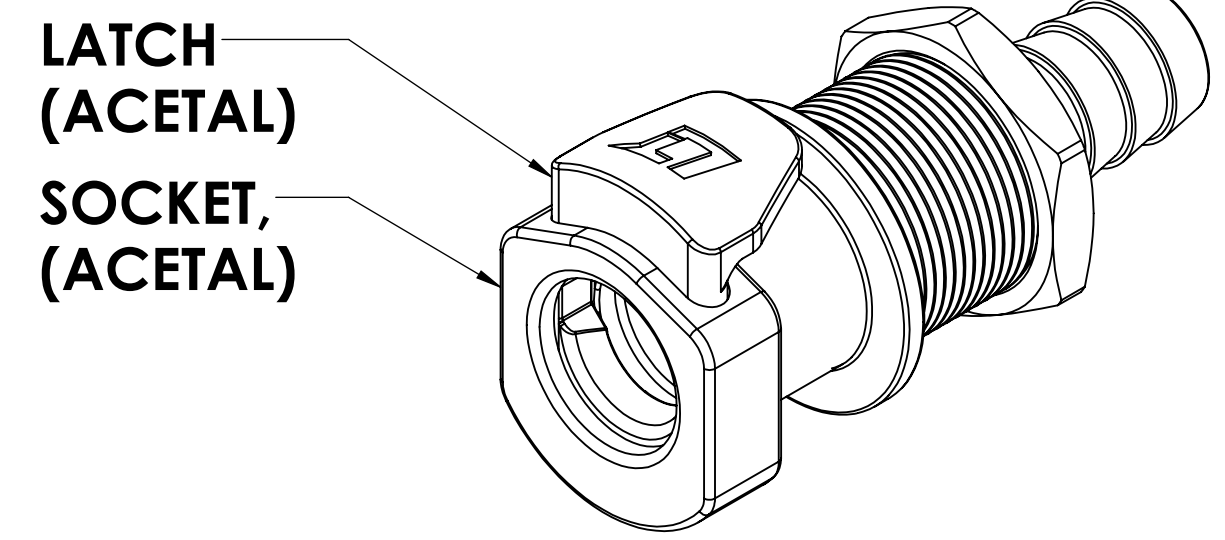


REVISIONS						
SHEET	ZONE	REV.	ECO	DESCRIPTION	DATE	APPROVED
1	ALL	A	50253	FORMAT UPDATE	3/8/2018	HRC



VALVE,
(ACETAL)

LATCH SPRING
(STAINLESS STEEL)

VALVE
INTERNAL O-RING,
(BUNA-N)

VALVE SPRING,
INTERNAL
(STAINLESS STEEL)

11/16\"-24 UNF THREAD

PANEL NUT
(BRASS, NICKEL
PLATED, 13/16\" HEX)
PACKAGED SEPARATELY

PANEL OPENING
(SECTION A-A)

NOTES:

- MATERIAL: ACETAL
- COLOR: NATURAL WHITE
- O-RING MATERIAL: BUNA-N
- O-RINGS LUBRICATED WITH FOOD GRADE SILICONE OIL, 350 CST.

FOR REFERENCE ONLY

<small>UNLESS OTHERWISE SPECIFIED: DIMENSIONS ARE IN INCHES TOLERANCES: FRACTIONAL ± 1/32 ANGULAR, MACH ± 0.5 BEND ± 2 ONE PLACE DECIMAL ± 0.1 TWO PLACE DECIMAL ± 0.01 THREE PLACE DECIMAL ± 0.005 TWO PLACE DUAL (mm) [± 0.12]</small>	DRAWN	RDA	7/24/2017	
	CHECKED	HRC	7/24/2017	
	ENG APPR.	HRC	03-08-18	
	MFG APPR.	BDB	03-08-18	
<small>PROPRIETARY AND CONFIDENTIAL THE INFORMATION CONTAINED IN THIS DRAWING IS THE SOLE PROPERTY OF LINKTECH LLC. ANY REPRODUCTION OR DISCLOSURE IN PART OR AS A WHOLE WITHOUT THE WRITTEN PERMISSION OF LINKTECH LLC IS STRICTLY PROHIBITED.</small>	PURCHASING	RK	03-08-18	PART NO: 50ACV-SB3-06
<small>COMMENTS:</small>				DESCRIPTION: LinkTech 50AC Series Panel Mt. Female, Valved, 375 HB, Natural Acetal
SIZE DWG. NO.		REV		C 50AC500049 A
<small>SCALE: NTS</small>		<small>WEIGHT:</small>		<small>SHEET 1 OF 1</small>