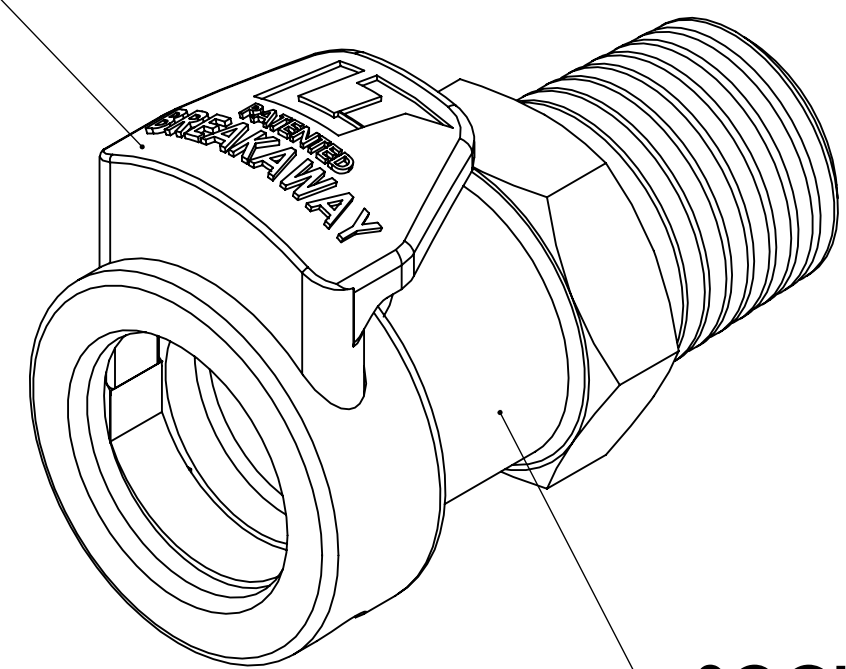
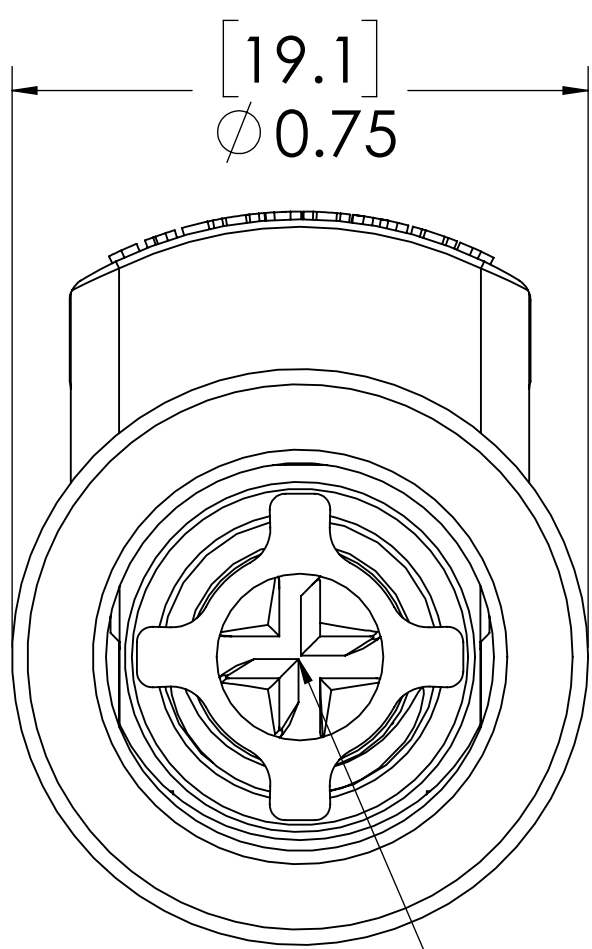


REVISIONS						
SHEET	ZONE	REV.	ECO	DESCRIPTION	DATE	APPROVED
1	ALL	A	50253	UPDATE DWG TO CURRENT FORMAT & STANDARDS	10/16/2018	HRC

**BREAKAWAY LATCH
(ACETAL)**

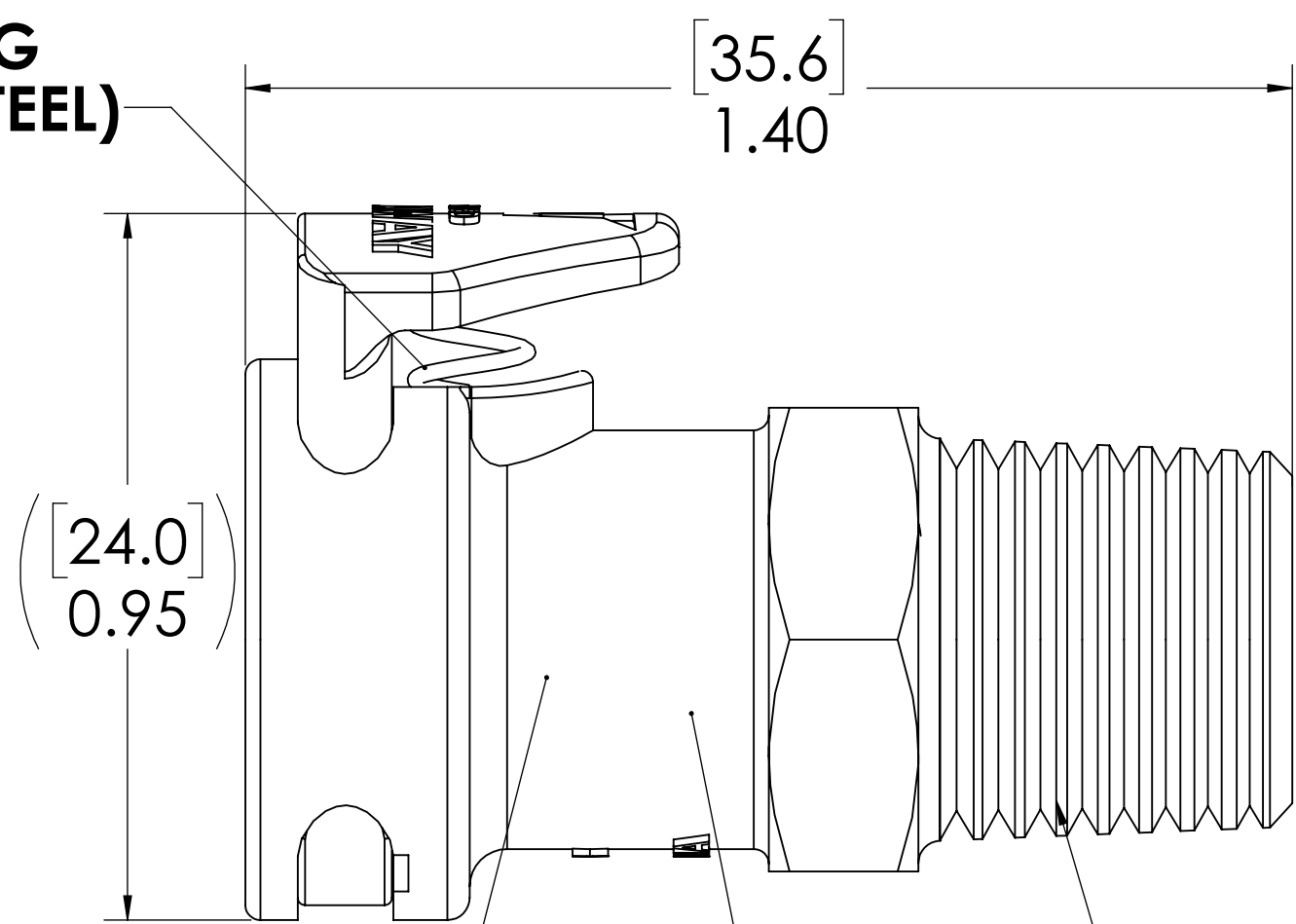


**SOCKET
(ACETAL)**



**VALVE
(ACETAL)**

**LATCH SPRING
(STAINLESS STEEL)**



**VALVE SPRING
INTERNAL
(STAINLESS STEEL)**


**VALVE O-RING
INTERNAL
(BUNA-N)**

**1/4" NPT
(PIPE THREAD)**

NOTES:

1. MATERIAL: ACETAL
2. COLOR: GREY
3. O-RING MATERIAL: BUNA-N
4. O-RINGS LUBRICATED WITH FOOD GRADE SILICONE OIL, 350 CST.

FOR REFERENCE ONLY

<small>UNLESS OTHERWISE SPECIFIED: DIMENSIONS ARE IN INCHES TOLERANCES: FRACTIONAL ± 1/32 ANGULAR: MACH ± 0.5 BEND ± 2 ONE PLACE DECIMAL ± 0.1 TWO PLACE DECIMAL ± 0.01 THREE PLACE DECIMAL ± 0.005 TWO PLACE DUAL (mm) [±0.12]</small>	DRAWN	LMP	6/25/2018	 PART NO: 50BACV-SB1-04 DESCRIPTION: LinkTech 50BAC Series, Male Thread Socket, Valved, 1/4" NPT, Acetal	
	CHECKED	HRC	6/25/2018		
	ENG APPR.	HRC	10/16/18		
	MFG APPR.	BDB	10/16/18		
PRODUCTION	LS	10/16/18	COMMENTS:	<small>SIZE DWG. NO. REV</small> C 50BAC500020 A	
<small>PROPRIETARY AND CONFIDENTIAL THE INFORMATION CONTAINED IN THIS DRAWING IS THE SOLE PROPERTY OF LINKTECH LLC. ANY REPRODUCTION OR DISCLOSURE IN PART OR AS A WHOLE WITHOUT THE WRITTEN PERMISSION OF LINKTECH LLC IS STRICTLY PROHIBITED.</small>			SCALE: NTS	WEIGHT:	SHEET 1 OF 1