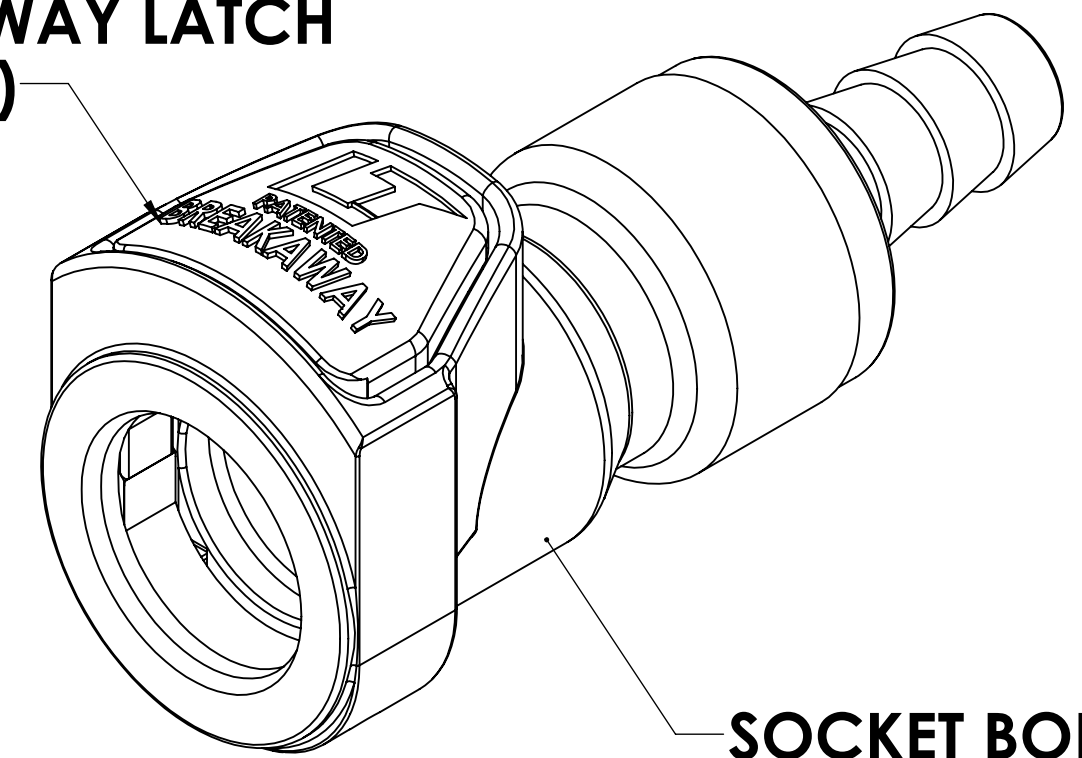
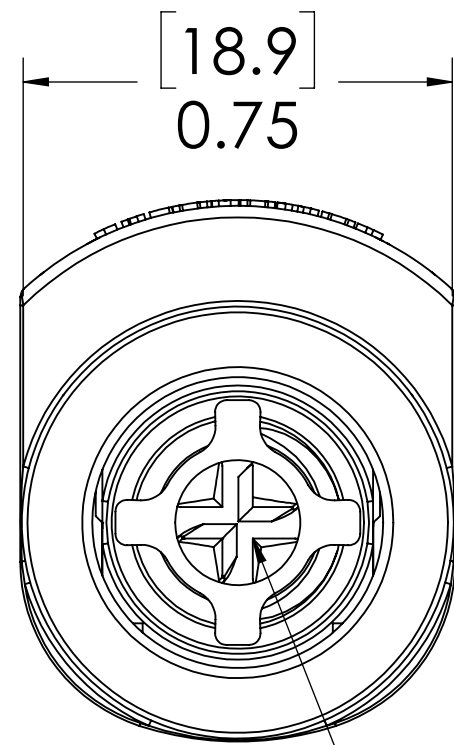


REVISIONS						
SHEET	ZONE	REV.	ECO	DESCRIPTION	DATE	APPROVED
1	ALL	A	50253	UPDATE DWG TO CURRENT FORMAT & STANDARDS	10/16/2018	HRC

**BREAKAWAY LATCH
(ACETAL)**

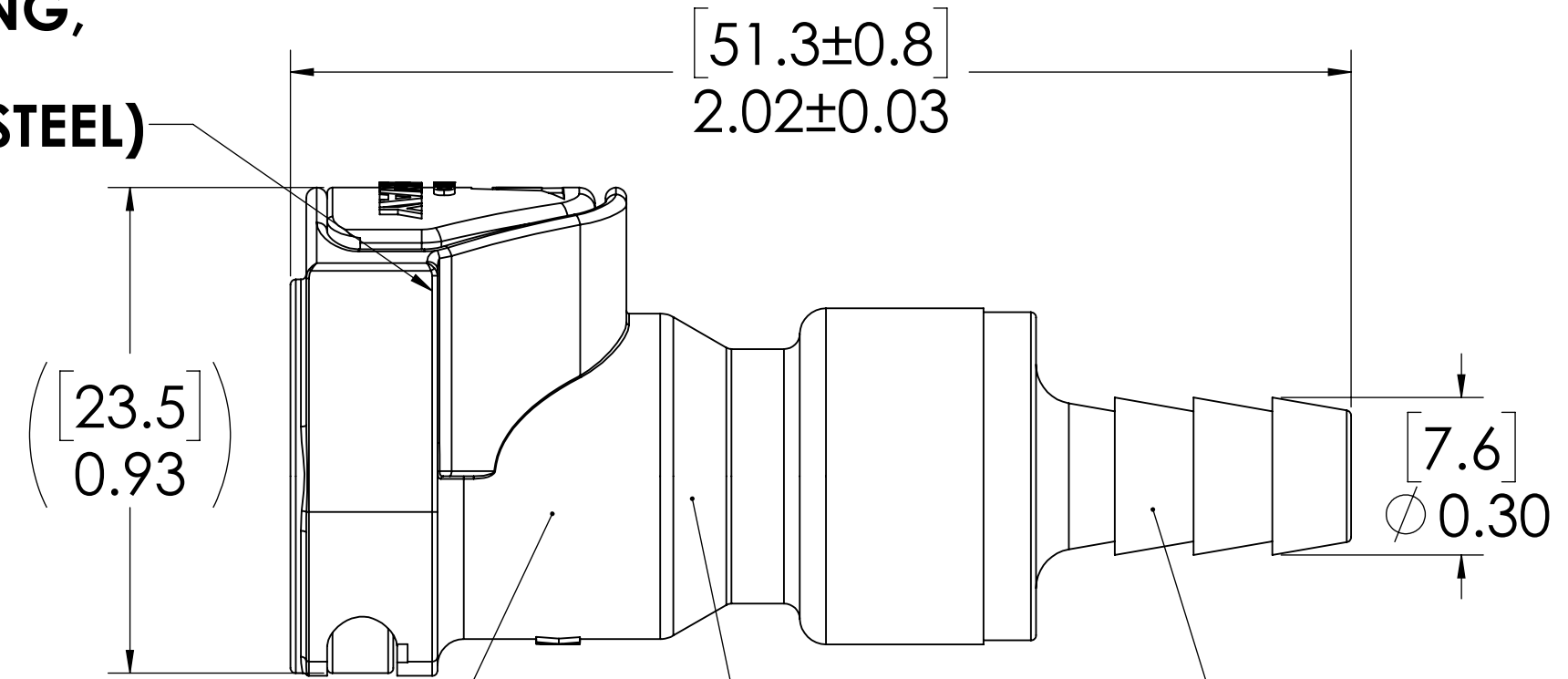


**SOCKET BODY
(ACETAL)**



**VALVE
(ACETAL)**

**LATCH SPRING,
INTERNAL
(STAINLESS STEEL)**



**VALVE SPRING
INTERNAL
(STAINLESS STEEL)**


**VALVE O-RING
INTERNAL
(BUNA-N)**

1/4" TUBE ID

NOTES:

1. MATERIAL: ACETAL
2. COLOR: NATURAL WHITE
3. O-RING MATERIAL: BUNA-N
4. O-RINGS LUBRICATED WITH FOOD GRADE SILICONE OIL, 350 CST.

FOR REFERENCE ONLY

<small>UNLESS OTHERWISE SPECIFIED: DIMENSIONS ARE IN INCHES TOLERANCES: FRACTIONAL ±1/32 ANGULAR: MACH ±0.5 BEND ±2 ONE PLACE DECIMAL ±0.1 TWO PLACE DECIMAL ±0.01 THREE PLACE DECIMAL ±0.005 TWO PLACE DUAL (mm) [±0.12]</small>	DRAWN	LMP	6/29/2018	 PART NO: 50BACV-SB2-04 DESCRIPTION: LinkTech 50BAC Series, Inline Socket, Valved, 1/4" HB, Acetal
	CHECKED	HRC	6/29/2018	
	ENG APPR.	HRC	10/16/18	
	MFG APPR.	BDB	10/16/18	
PRODUCTION	LS	10/16/18	<small>PROPRIETARY AND CONFIDENTIAL</small> <small>THE INFORMATION CONTAINED IN THIS DRAWING IS THE SOLE PROPERTY OF LINKTECH LLC. ANY REPRODUCTION OR DISCLOSURE IN PART OR AS A WHOLE WITHOUT THE WRITTEN PERMISSION OF LINKTECH LLC IS STRICTLY PROHIBITED.</small>	<small>SIZE DWG. NO.</small> C 50BAC500036
COMMENTS:				<small>REV</small> A
SCALE: NTS		WEIGHT:		SHEET 1 OF 1