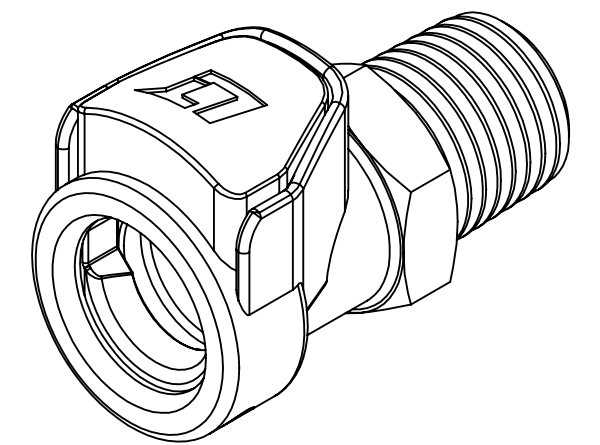
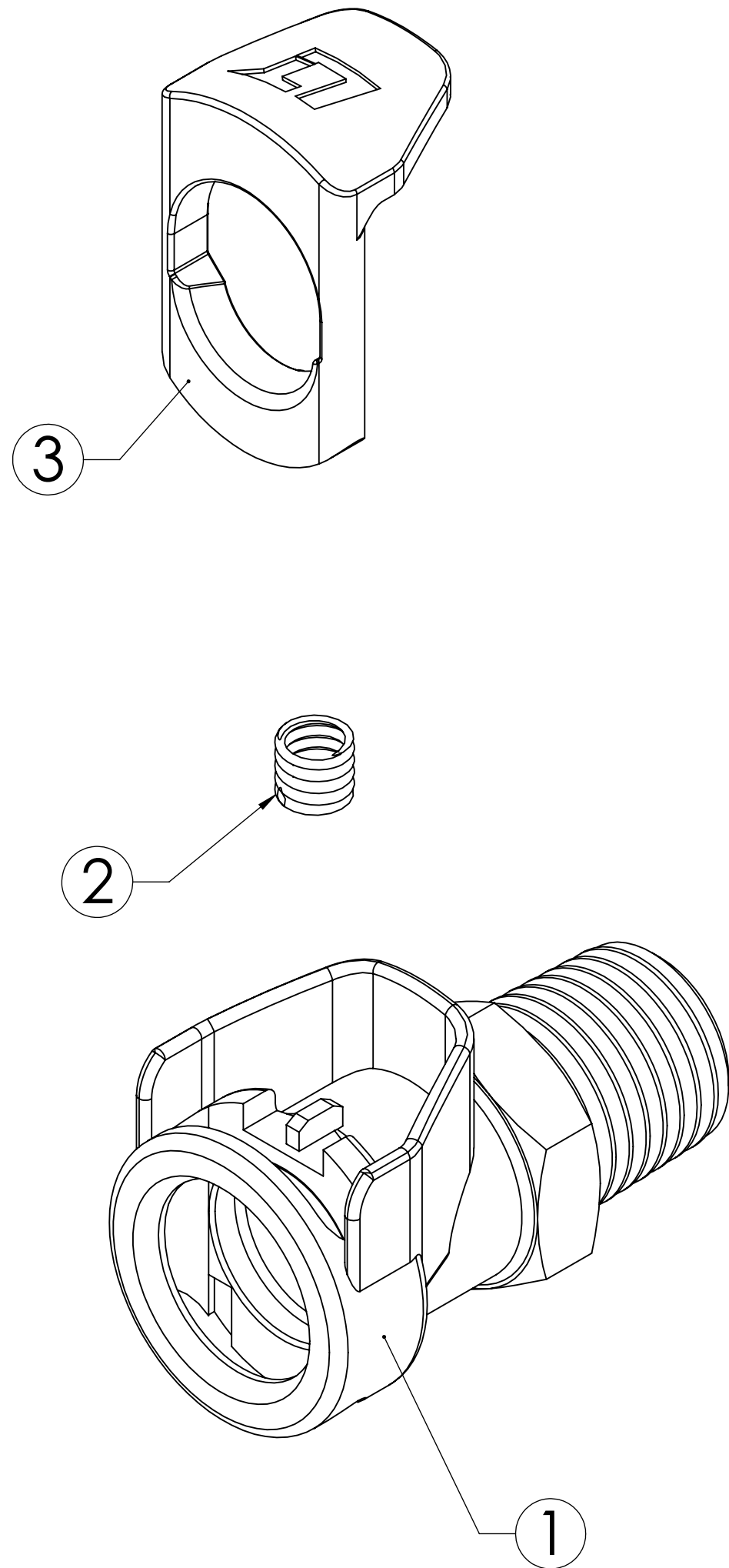



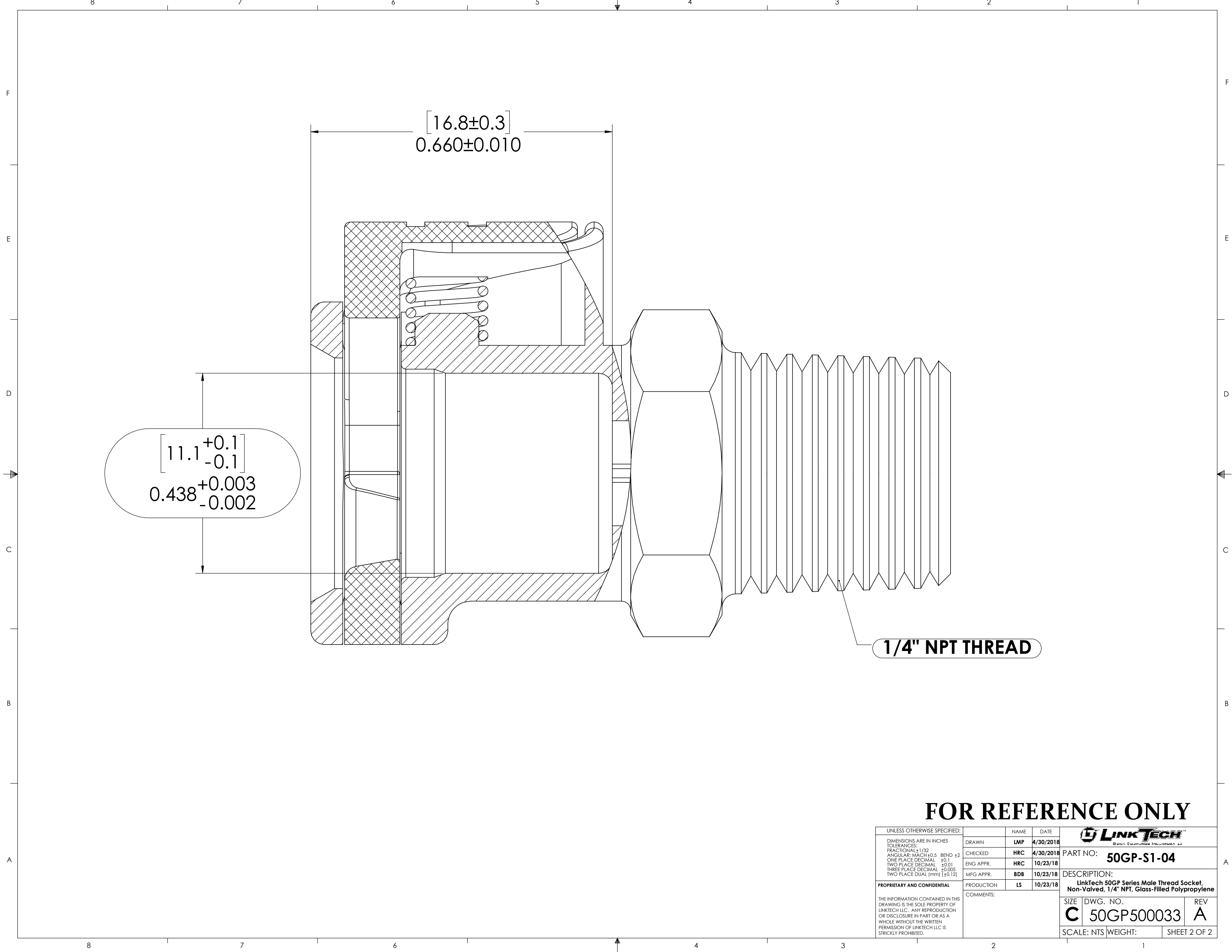
ITEM NO.	PART NUMBER	DESCRIPTION	QTY.
1	C507	SOCKET BODY, NON-VALVED, 1/4" NPT, 50GP SERIES	1
2	C107-A	SPRING, LATCH, SS	1
3	C505	LATCH, AC, 50 SERIES, LT	1

REVISIONS						
SHEET	ZONE	REV.	ECO	DESCRIPTION	DATE	APPROVED
1	ALL	A	50253	UPDATE DWG TO CURRENT FORMAT & STANDARDS	10/23/2018	HRC




- NOTES:**
- MATERIAL: GLASS-FILLED POLYPROPYLENE
 - COLOR: NATURAL WHITE

UNLESS OTHERWISE SPECIFIED: DIMENSIONS ARE IN INCHES TOLERANCES: FRACTIONAL ± 1/32 ANGULAR: MACH ± 0.5 BEND ± 2 ONE PLACE DECIMAL ± 0.1 TWO PLACE DECIMAL ± 0.01 THREE PLACE DECIMAL ± 0.005 TWO PLACE DUAL (mm) [± 0.12]	DRAWN	LMP	4/30/2018	 PART NO: 50GP-S1-04 DESCRIPTION: LinkTech 50GP Series Male Thread Socket, Non-Valved, 1/4" NPT, Glass-Filled Polypropylene
	CHECKED	HRC	4/30/2018	
	ENG APPR.	HRC	10/23/18	
	MFG APPR.	BDB	10/23/18	
PROPRIETARY AND CONFIDENTIAL THE INFORMATION CONTAINED IN THIS DRAWING IS THE SOLE PROPERTY OF LINKTECH LLC. ANY REPRODUCTION OR DISCLOSURE IN PART OR AS A WHOLE WITHOUT THE WRITTEN PERMISSION OF LINKTECH LLC IS STRICTLY PROHIBITED.	PRODUCTION	LS	10/23/18	SIZE DWG. NO. REV C 50GP500033 A
	COMMENTS:			SCALE: NTS WEIGHT: SHEET 1 OF 2

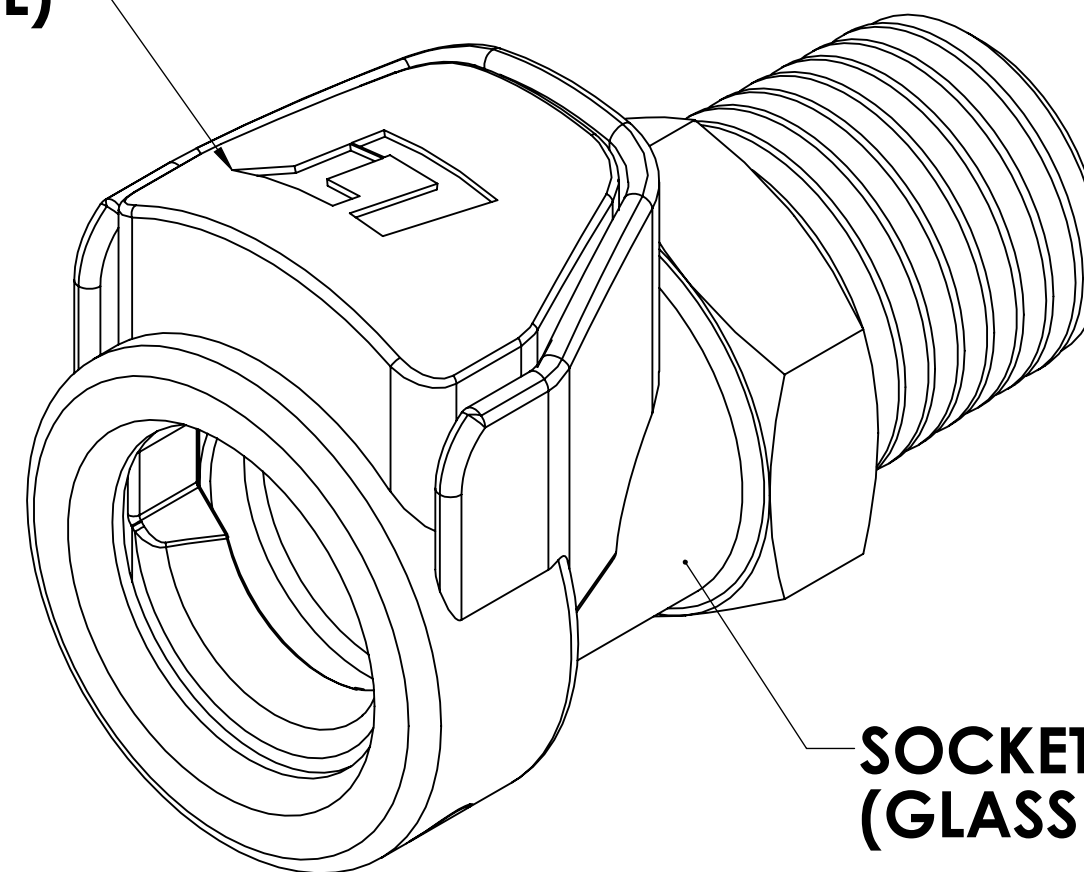


FOR REFERENCE ONLY

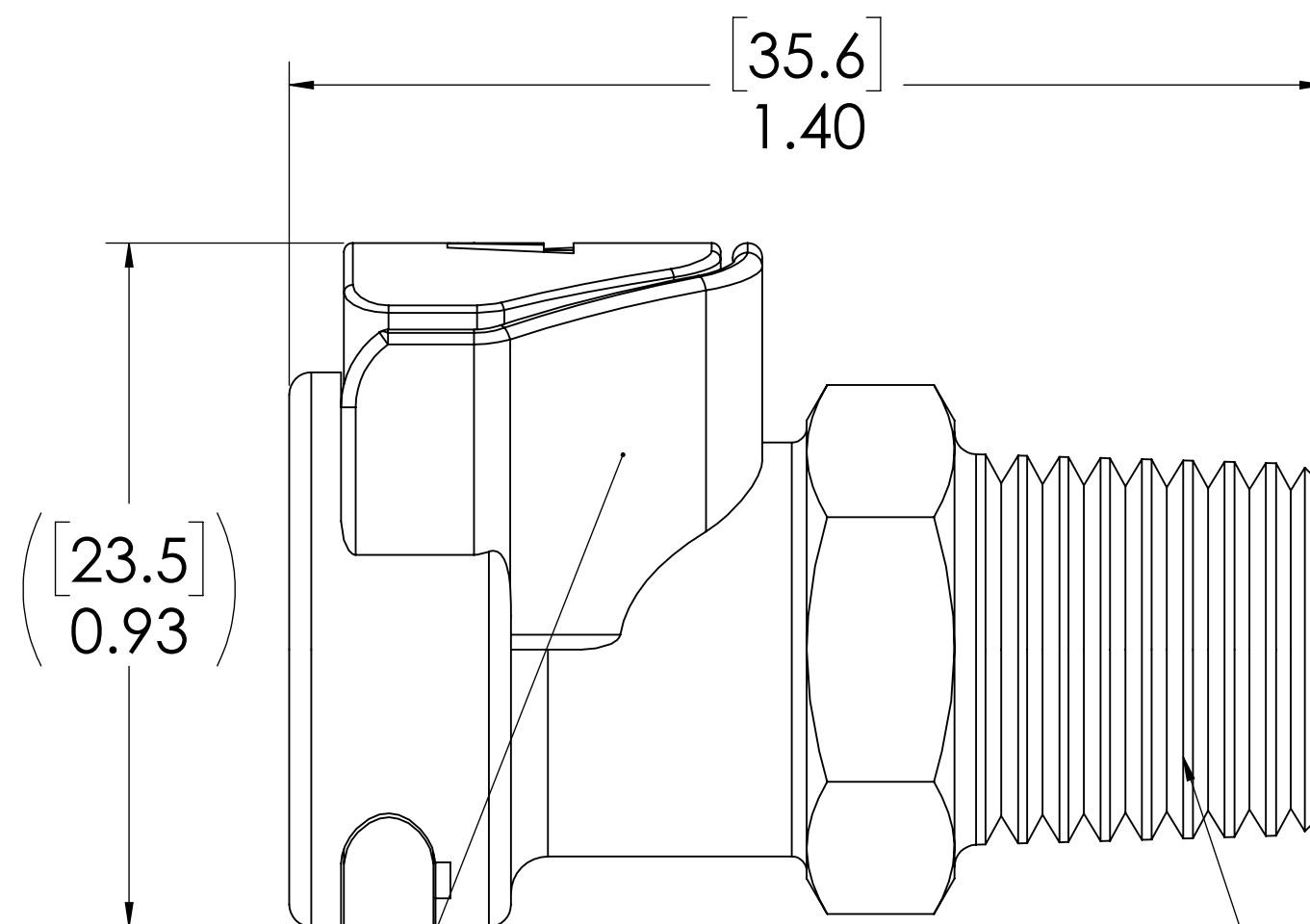
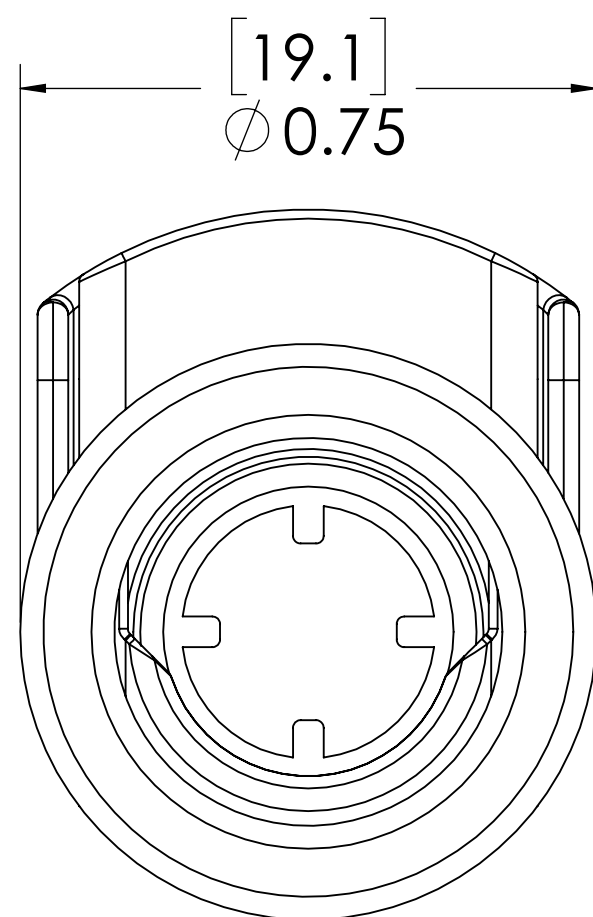
UNLESS OTHERWISE SPECIFIED: DIMENSIONS ARE IN INCHES TOLERANCES: FRACTIONAL $\pm 1/32$ ANGULAR: MACH ± 0.5 BEND ± 2 ONE PLACE DECIMAL ± 0.1 TWO PLACE DECIMAL ± 0.01 THREE PLACE DECIMAL ± 0.005 TWO PLACE DUAL (mm) $[\pm 0.12]$	DRAWN	LMP	4/30/2018	 PART NO: 50GP-S1-04
	CHECKED	HRC	4/30/2018	
	ENG APPR.	HRC	10/23/18	DESCRIPTION: LinkTech 50GP Series Male Thread Socket, Non-Valved, 1/4" NPT, Glass-Filled Polypropylene
	MFG APPR.	BDB	10/23/18	
PROPRIETARY AND CONFIDENTIAL	PRODUCTION	LS	10/23/18	SIZE DWG. NO. REV C 50GP500033 A
THE INFORMATION CONTAINED IN THIS DRAWING IS THE SOLE PROPERTY OF LINKTECH LLC. ANY REPRODUCTION OR DISCLOSURE IN PART OR AS A WHOLE WITHOUT THE WRITTEN PERMISSION OF LINKTECH LLC IS STRICTLY PROHIBITED.	COMMENTS:			SCALE: NTS WEIGHT: SHEET 2 OF 2

REVISIONS						
SHEET	ZONE	REV.	ECO	DESCRIPTION	DATE	APPROVED
1	ALL	A	50253	UPDATE DWG TO CURRENT FORMAT & STANDARDS	10/23/2018	HRC

**LATCH
(ACETAL)**



**SOCKET
(GLASS-FILLED POLYPROPYLENE)**




**1/4" NPT
(PIPE THREAD)**

**LATCH SPRING,
INTERNAL
(STAINLESS STEEL)**

- NOTES:**
- MATERIAL: GLASS-FILLED POLYPROPYLENE
 - COLOR: NATURAL WHITE

FOR REFERENCE ONLY

<small>UNLESS OTHERWISE SPECIFIED: DIMENSIONS ARE IN INCHES TOLERANCES: FRACTIONAL ± 1/32 ANGULAR: MACH ± 0.5 BEND ± 2 ONE PLACE DECIMAL ± 0.1 TWO PLACE DECIMAL ± 0.01 THREE PLACE DECIMAL ± 0.005 TWO PLACE DUAL (mm) [±0.12]</small>	DRAWN	LMP	4/30/2018	 PART NO: 50GP-S1-04 <small>DESCRIPTION: LinkTech 50GP Series Male Thread Socket, Non-Valved, 1/4" NPT, Glass-Filled Polypropylene</small>
	CHECKED	HRC	4/30/2018	
	ENG APPR.	HRC	10/23/18	
	MFG APPR.	BDB	10/23/18	
PRODUCTION	LS	10/23/18		<small>SIZE DWG. NO. REV</small> C 50GP500033 A
<small>PROPRIETARY AND CONFIDENTIAL THE INFORMATION CONTAINED IN THIS DRAWING IS THE SOLE PROPERTY OF LINKTECH LLC. ANY REPRODUCTION OR DISCLOSURE IN PART OR AS A WHOLE WITHOUT THE WRITTEN PERMISSION OF LINKTECH LLC IS STRICTLY PROHIBITED.</small>				<small>SCALE: NTS WEIGHT: SHEET 1 OF 1</small>