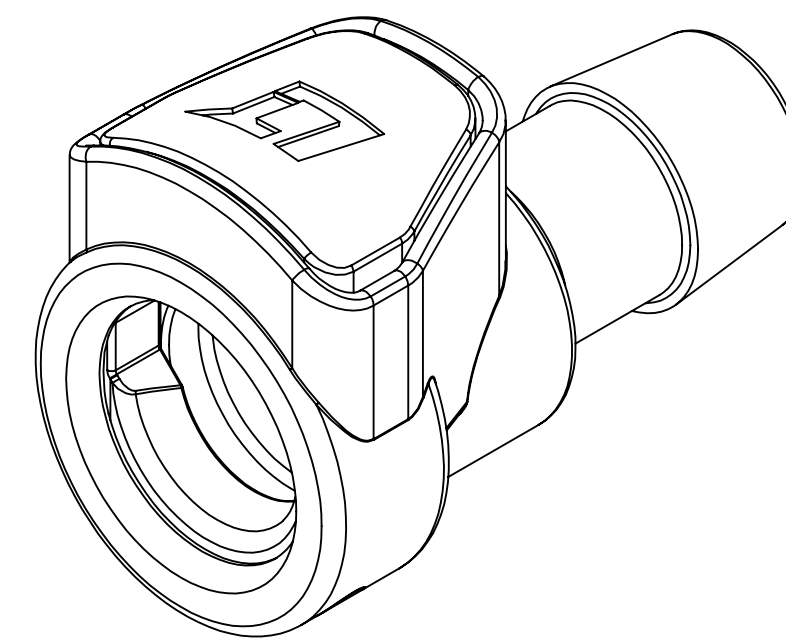
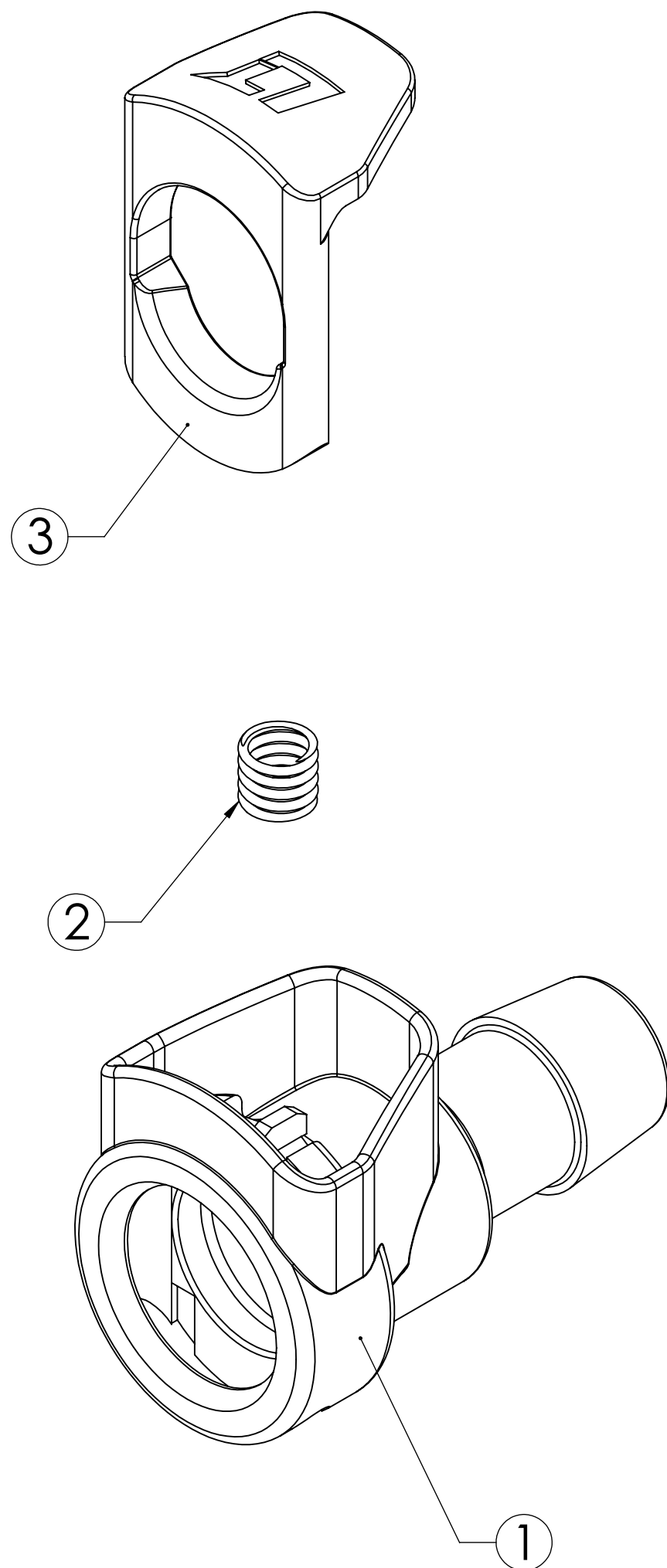



ITEM NO.	PART NUMBER	DESCRIPTION	QTY.
1	C504	SOCKET BODY, GP, NV, 50 GP SERIES, FULLY CONSTRAINED	1
2	C107-A	SPRING, LATCH, SS	1
3	C505	LATCH, AC, 50 SERIES, LT	1

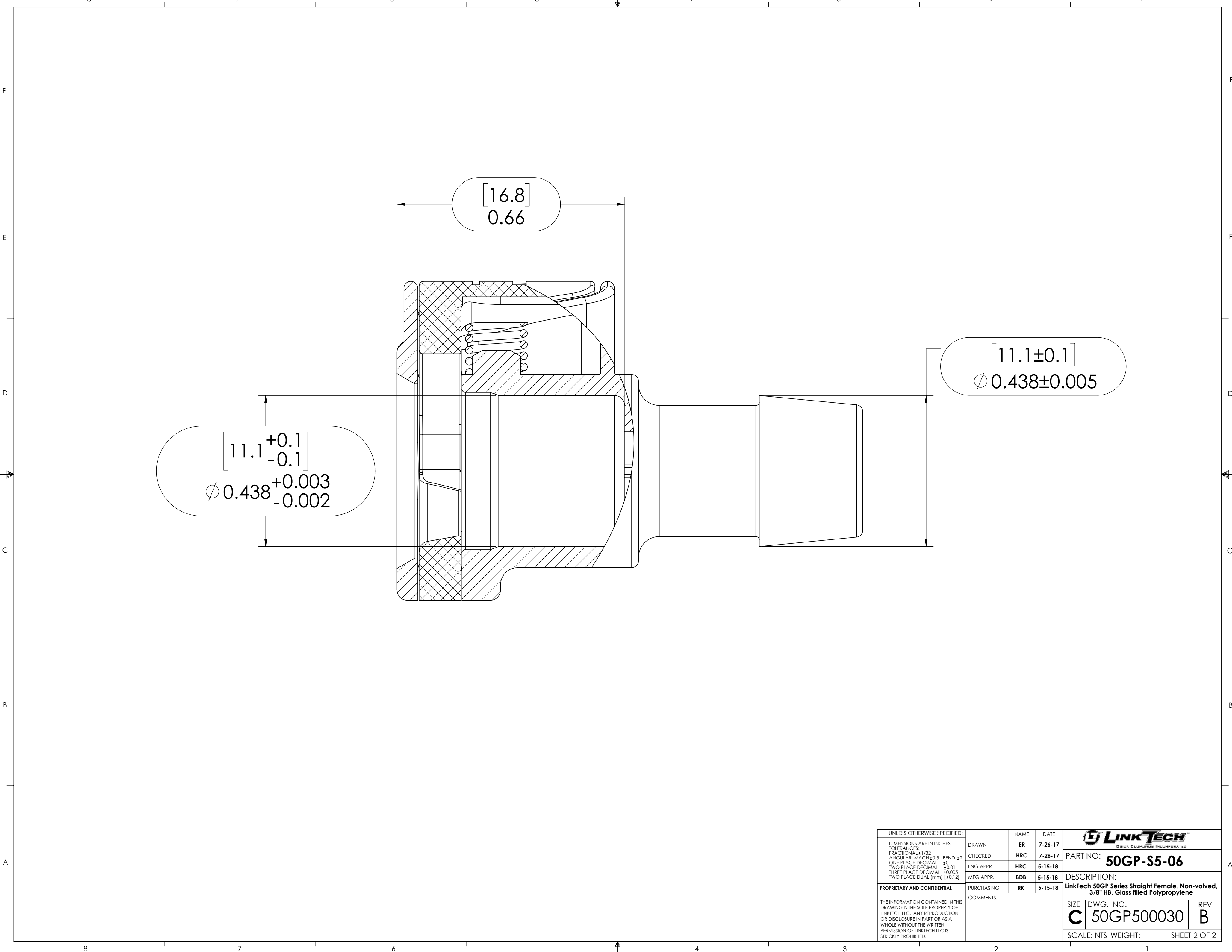
REVISIONS						
SHEET	ZONE	REV.	ECO	DESCRIPTION	DATE	APPROVED
1	ALL	A	.....	CHANGE LATCH MATERIAL TO ACETAL	7/26/2017	CKE
1	ALL	B	50253	UPDATE DWG TO CURRENT FORMAT & STANDARDS	5/15/2018	HRC




**NOTES:**

- MATERIAL: GLASS-FILLED POLYPROPYLENE
- COLOR: NATURAL WHITE

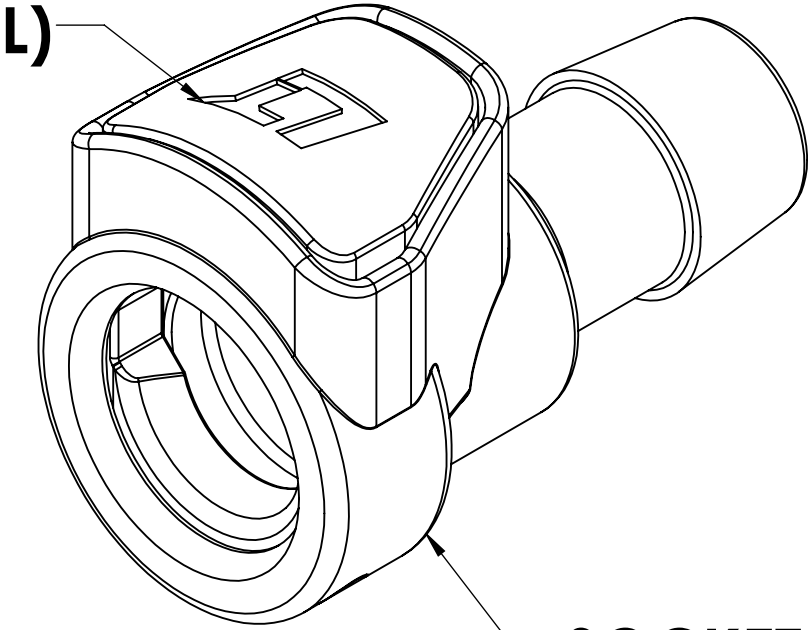
UNLESS OTHERWISE SPECIFIED: DIMENSIONS ARE IN INCHES TOLERANCES: FRACTIONAL ± 1/32 ANGULAR: MACH ± 0.5 BEND ± 2 ONE PLACE DECIMAL ± 0.1 TWO PLACE DECIMAL ± 0.01 THREE PLACE DECIMAL ± 0.005 TWO PLACE DUAL (mm) [± 0.12]	DRAWN	ER	07-26-17	 PART NO: <b>50GP-S5-06</b> DESCRIPTION: <b>LinkTech 50GP Series Straight Female, Non-valved, 3/8" HB, Glass filled Polypropylene</b>
	CHECKED	HRC	7-26-17	
	ENG APPR.	HRC	5-15-18	
	MFG APPR.	BDB	5-15-18	
PROPRIETARY AND CONFIDENTIAL THE INFORMATION CONTAINED IN THIS DRAWING IS THE SOLE PROPERTY OF LINKTECH LLC. ANY REPRODUCTION OR DISCLOSURE IN PART OR AS A WHOLE WITHOUT THE WRITTEN PERMISSION OF LINKTECH LLC IS STRICTLY PROHIBITED.	PURCHASING	RK	5-15-18	SIZE DWG. NO. REV <b>C 50GP500030 B</b>
COMMENTS:			SCALE: NTS WEIGHT: SHEET 1 OF 2	



UNLESS OTHERWISE SPECIFIED: DIMENSIONS ARE IN INCHES TOLERANCES: FRACTIONAL ± 1/32 ANGULAR: MACH ± 0.5 BEND ± 2 ONE PLACE DECIMAL ± 0.1 TWO PLACE DECIMAL ± 0.01 THREE PLACE DECIMAL ± 0.005 TWO PLACE DUAL (mm) [±0.12]	DRAWN	ER	7-26-17	 PART NO: <b>50GP-S5-06</b>	
	CHECKED	HRC	7-26-17		
	ENG APPR.	HRC	5-15-18	DESCRIPTION: <b>LinkTech 50GP Series Straight Female, Non-valved,          3/8" HB, Glass filled Polypropylene</b>	
	MFG APPR.	BDB	5-15-18		
PROPRIETARY AND CONFIDENTIAL THE INFORMATION CONTAINED IN THIS DRAWING IS THE SOLE PROPERTY OF LINKTECH LLC. ANY REPRODUCTION OR DISCLOSURE IN PART OR AS A WHOLE WITHOUT THE WRITTEN PERMISSION OF LINKTECH LLC IS STRICTLY PROHIBITED.	PURCHASING	RK	5-15-18	SIZE DWG. NO. REV <b>C 50GP500030 B</b>	
COMMENTS:			SCALE: NTS	WEIGHT:	SHEET 2 OF 2

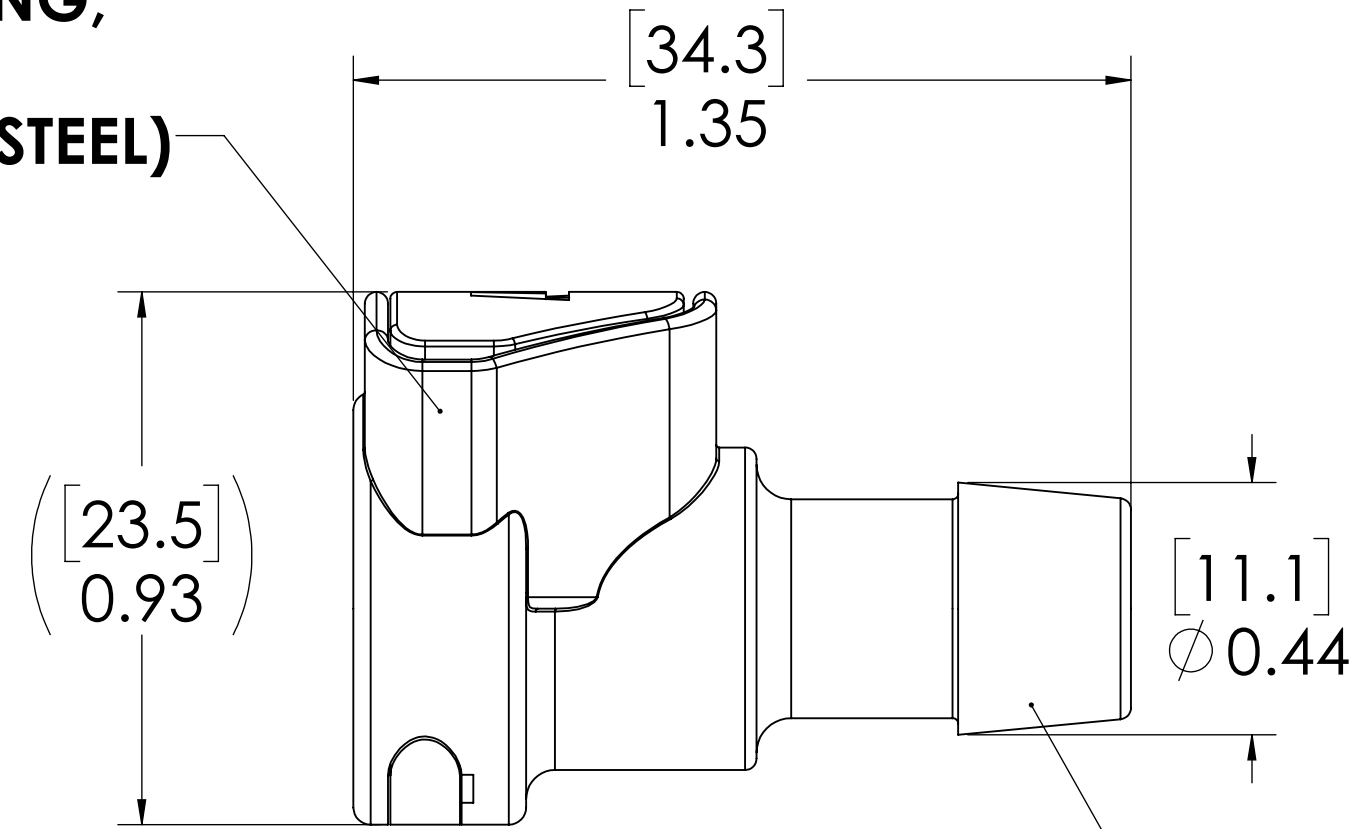
REVISIONS						
SHEET	ZONE	REV.	ECO	DESCRIPTION	DATE	APPROVED
1	ALL	A	...	CHANGE LATCH MATERIAL TO ACETAL	7/26/2017	CKE
1	ALL	B	50253	UPDATE DWG TO CURRENT FORMAT & STANDARS	4/30/2018	

**LATCH,  
(ACETAL)**

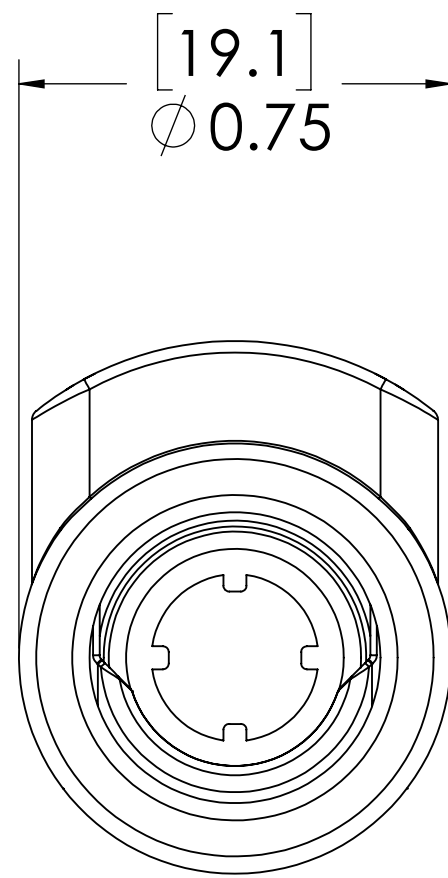


**SOCKET,  
(GLASS-FILLED  
POLYPROPYLENE)**

**LATCH SPRING,  
INTERNAL  
(STAINLESS STEEL)**




**3/8" TUBE ID**



**NOTES:**

- MATERIAL: GLASS-FILLED POLYPROPYLENE
- COLOR: NATURAL WHITE

UNLESS OTHERWISE SPECIFIED:		NAME	DATE	 <b>PART NO: 50GP-S5-06</b>
DIMENSIONS ARE IN INCHES TOLERANCES: FRACTIONAL ± 1/32 ANGULAR: MACH ± 0.5 BEND ± 2 ONE PLACE DECIMAL ± 0.1 TWO PLACE DECIMAL ± 0.01 THREE PLACE DECIMAL ± 0.005 TWO PLACE DUAL (mm) [± 0.12]		DRAWN	ER	
<b>PROPRIETARY AND CONFIDENTIAL</b> THE INFORMATION CONTAINED IN THIS DRAWING IS THE SOLE PROPERTY OF LINKTECH LLC. ANY REPRODUCTION OR DISCLOSURE IN PART OR AS A WHOLE WITHOUT THE WRITTEN PERMISSION OF LINKTECH LLC IS STRICTLY PROHIBITED.		CHECKED	HRC	7-26-17
		ENG APPR.	HRC	5-15-18
		MFG APPR.	BDB	5-15-18
		PURCHASING	RK	5-15-18
		COMMENTS:		
		<b>DESCRIPTION:</b> LinkTech 50GP Series Straight Female, Non-valved, 3/8" HB, Glass filled Polypropylene		
		SIZE	DWG. NO.	REV
		<b>C</b>	<b>50GP500030</b>	<b>B</b>
		SCALE: NTS	WEIGHT:	SHEET 1 OF 1