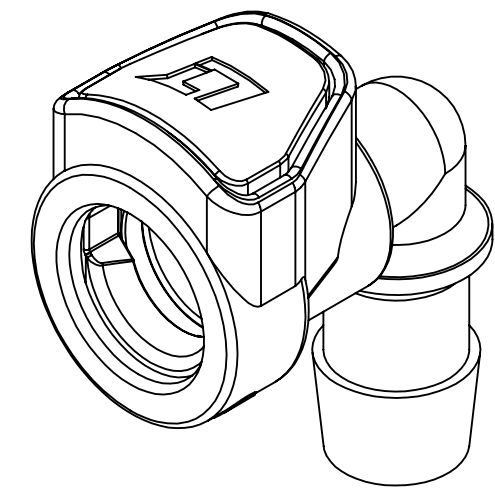
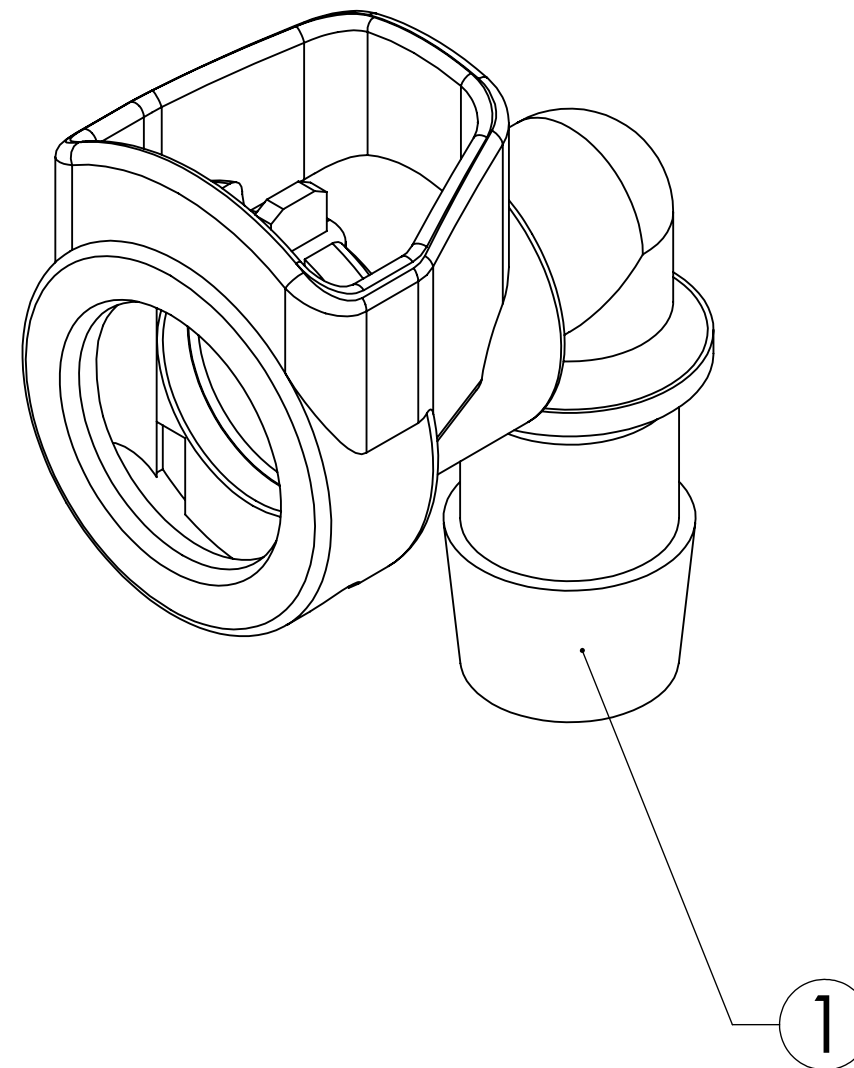
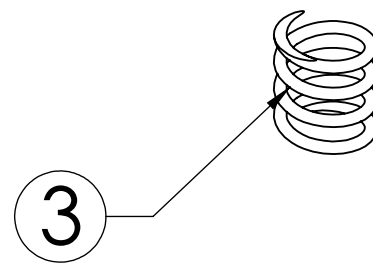
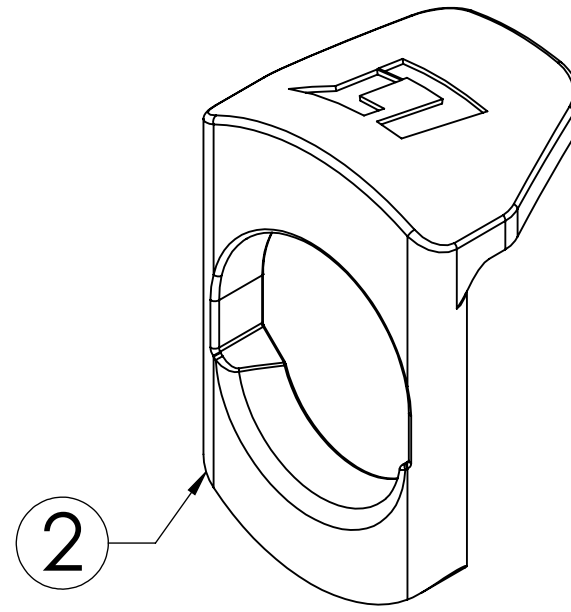



ITEM NO.	PART NUMBER	DESCRIPTION	QTY.
1	C513	SOCKET BODY ELBOW, NV, 3/8" HB, 50GP SERIES	1
2	C505	LATCH, AC, 50 SERIES, LT	1
3	C107-A	SPRING, SS, LATCH	1

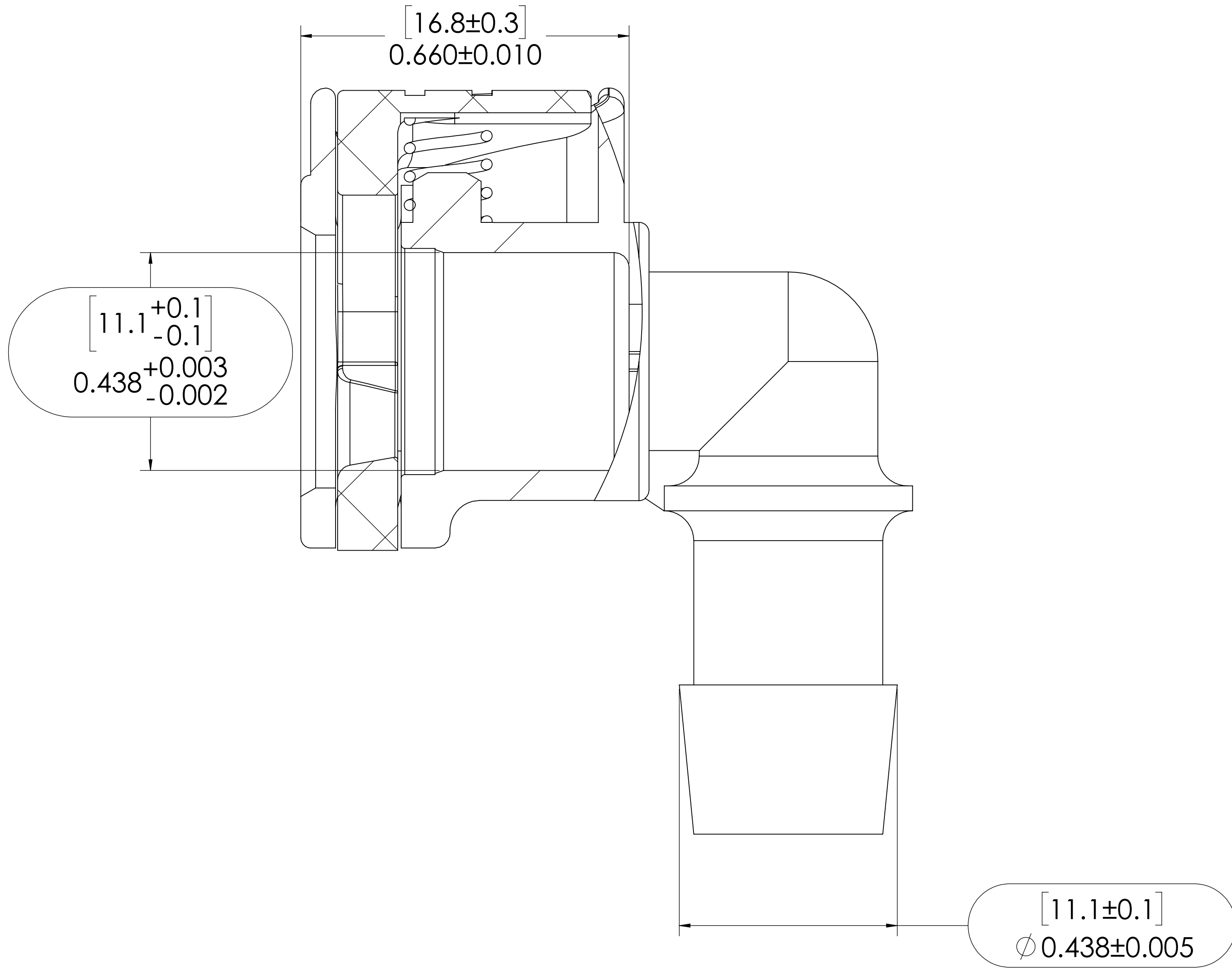
REVISIONS						
SHEET	ZONE	REV.	ECO	DESCRIPTION	DATE	APPROVED
1	ALL	A	50253	UPDATE DWG TO CURRENT FORMAT & STANDARDS	10/23/2018	HRC




NOTES:

- MATERIAL: GLASS-FILLED POLYPROPYLENE
- COLOR: SOCKET: WHITE; LATCH: GREY

<small>UNLESS OTHERWISE SPECIFIED: DIMENSIONS ARE IN INCHES TOLERANCES: FRACTIONAL ± 1/32 ANGULAR: MACH ± 0.5 BEND ± 2 ONE PLACE DECIMAL ± 0.1 TWO PLACE DECIMAL ± 0.01 THREE PLACE DECIMAL ± 0.005 TWO PLACE DUAL (mm) [±0.12]</small>	DRAWN	LMP	5/2/2018	 PART NO: 50GP-S7-06 DESCRIPTION: LinkTech 50GP Series Elbow Socket, Non-Valved, 3/8" HB, Glass-Filled Polypropylene
	CHECKED	HRC	5/2/2018	
	ENG APPR.	HRC	10/23/18	
	MFG APPR.	BDB	10/23/18	
<small>PROPRIETARY AND CONFIDENTIAL THE INFORMATION CONTAINED IN THIS DRAWING IS THE SOLE PROPERTY OF LINKTECH LLC. ANY REPRODUCTION OR DISCLOSURE IN PART OR AS A WHOLE WITHOUT THE WRITTEN PERMISSION OF LINKTECH LLC IS STRICTLY PROHIBITED.</small>	PRODUCTION	LS	10/23/18	SIZE DWG. NO. REV C 50GP500034 A
	COMMENTS:			SCALE: NTS WEIGHT: SHEET 1 OF 2

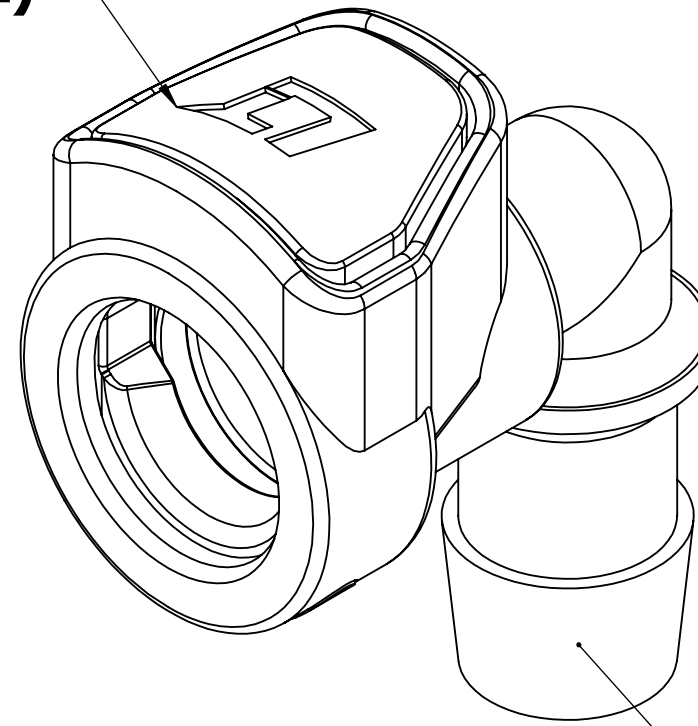


FOR REFERENCE ONLY

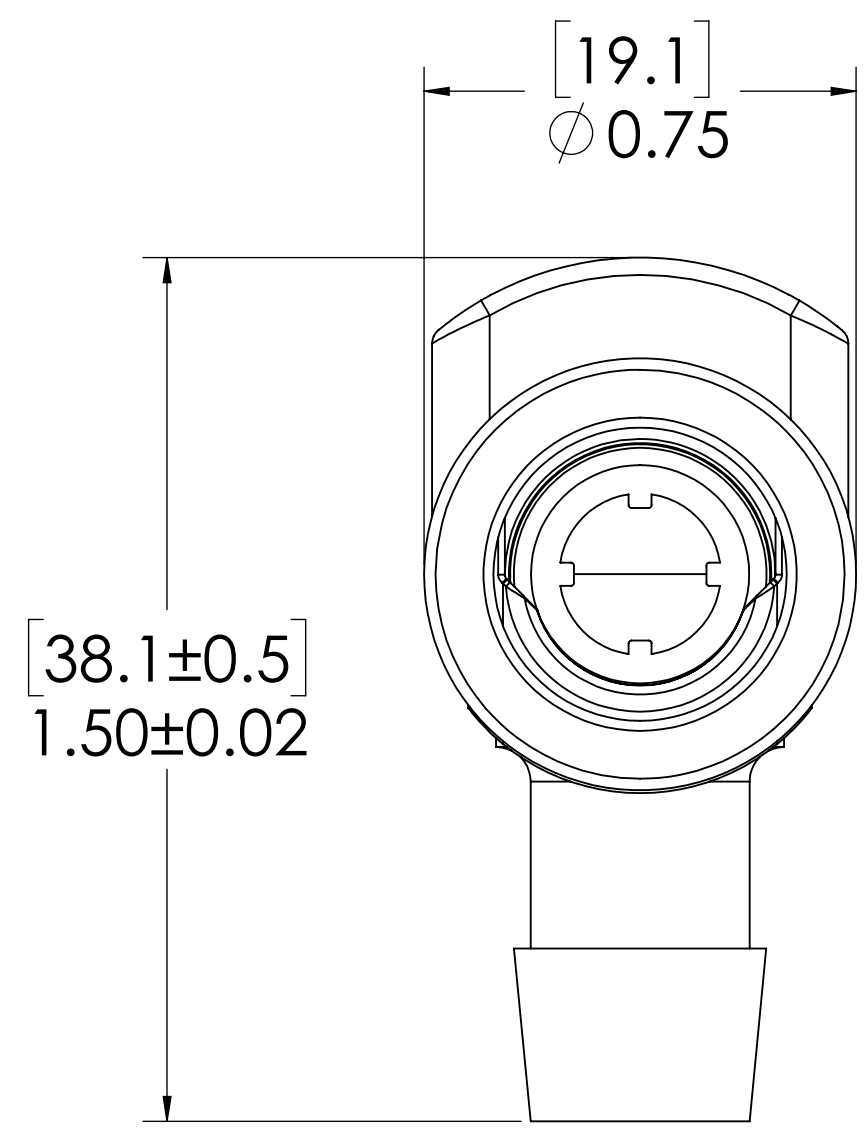
UNLESS OTHERWISE SPECIFIED: DIMENSIONS ARE IN INCHES TOLERANCES: FRACTIONAL $\pm 1/32$ ANGULAR: MACH ± 0.5 BEND ± 2 ONE PLACE DECIMAL ± 0.1 TWO PLACE DECIMAL ± 0.01 THREE PLACE DECIMAL ± 0.005 TWO PLACE DUAL (mm) ± 0.12	DRAWN	LMP	5/2/2018	 PART NO: 50GP-S7-06
	CHECKED	HRC	5/2/2018	
	ENG APPR.	HRC	10/23/18	DESCRIPTION: LinkTech 50GP Series Elbow Socket, Non-Valved, 3/8" HB, Glass-Filled Polypropylene
	MFG APPR.	BDB	10/23/18	
	PRODUCTION	LS	10/23/18	
PROPRIETARY AND CONFIDENTIAL THE INFORMATION CONTAINED IN THIS DRAWING IS THE SOLE PROPERTY OF LINKTECH LLC. ANY REPRODUCTION OR DISCLOSURE IN PART OR AS A WHOLE WITHOUT THE WRITTEN PERMISSION OF LINKTECH LLC IS STRICTLY PROHIBITED.	COMMENTS:			SIZE DWG. NO. REV C 50GP500034 A
	SCALE: NTS	WEIGHT:		SHEET 2 OF 2

REVISIONS						
SHEET	ZONE	REV.	ECO	DESCRIPTION	DATE	APPROVED
1	ALL	A	50253	UPDATE DWG TO CURRENT FORMAT & STANDARDS	10/23/2018	HRC

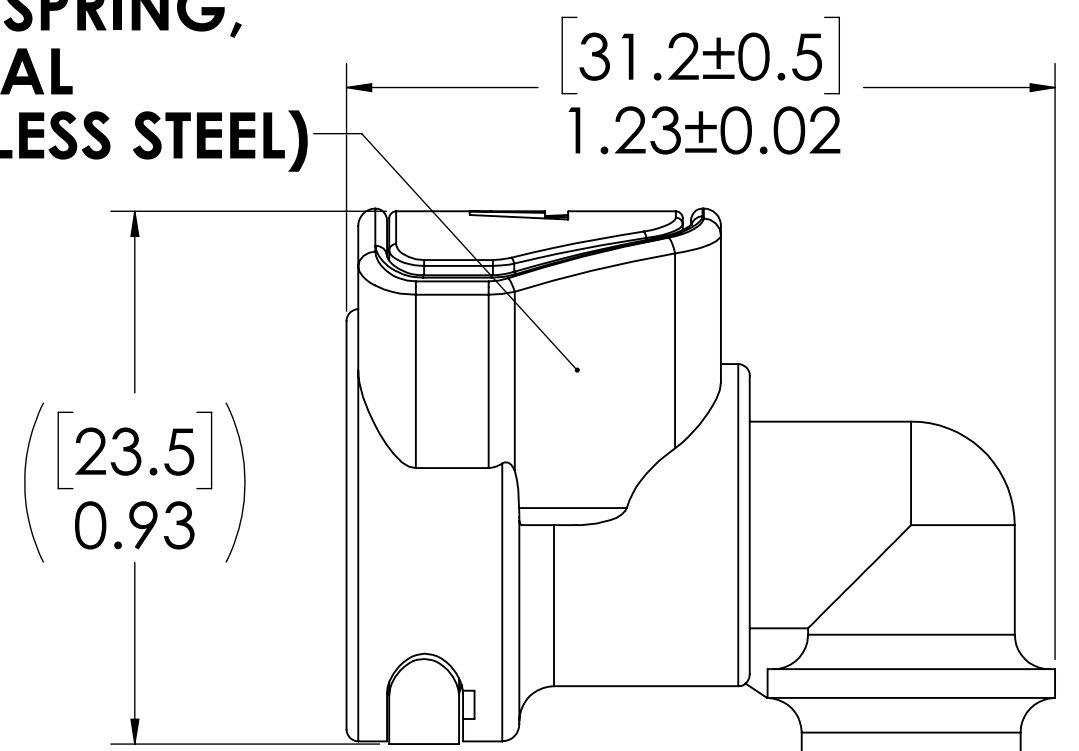
**LATCH
(ACETAL)**



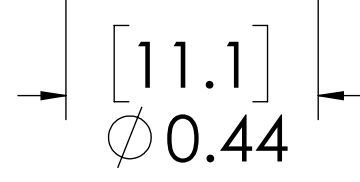
**SOCKET
(GLASS-FILLED POLYPROPYLENE)**



**LATCH SPRING,
INTERNAL
(STAINLESS STEEL)**




3/8" TUBE ID



- NOTES:**
- MATERIAL: GLASS-FILLED POLYPROPYLENE
 - COLOR: SOCKET: WHITE; LATCH: GREY

FOR REFERENCE ONLY

<small>UNLESS OTHERWISE SPECIFIED: DIMENSIONS ARE IN INCHES TOLERANCES: FRACTIONAL ± 1/32 ANGULAR: MACH ± 0.5 BEND ± 2 ONE PLACE DECIMAL ± 0.1 TWO PLACE DECIMAL ± 0.01 THREE PLACE DECIMAL ± 0.005 TWO PLACE DUAL (mm) [±0.12]</small>	DRAWN	LMP	5/2/2018	 PART NO: 50GP-S7-06 DESCRIPTION: LinkTech 50GP Series Elbow Socket, Non-Valved, 3/8" HB, Glass-Filled Polypropylene
	CHECKED	HRC	5/2/2018	
	ENG APPR.	HRC	10/23/18	
	MFG APPR.	BDB	10/23/18	
<small>PROPRIETARY AND CONFIDENTIAL THE INFORMATION CONTAINED IN THIS DRAWING IS THE SOLE PROPERTY OF LINKTECH LLC. ANY REPRODUCTION OR DISCLOSURE IN PART OR AS A WHOLE WITHOUT THE WRITTEN PERMISSION OF LINKTECH LLC IS STRICTLY PROHIBITED.</small>	PRODUCTION	LS	10/23/18	<small>SIZE DWG. NO. REV</small> C 50GP500034 A
<small>SCALE: NTS WEIGHT: SHEET 1 OF 1</small>				