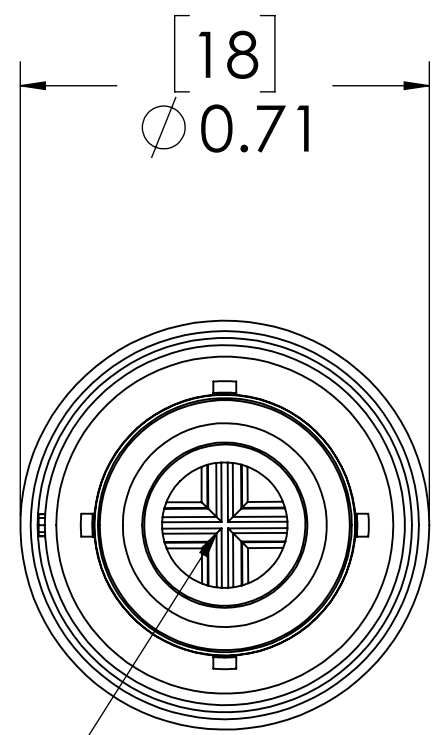
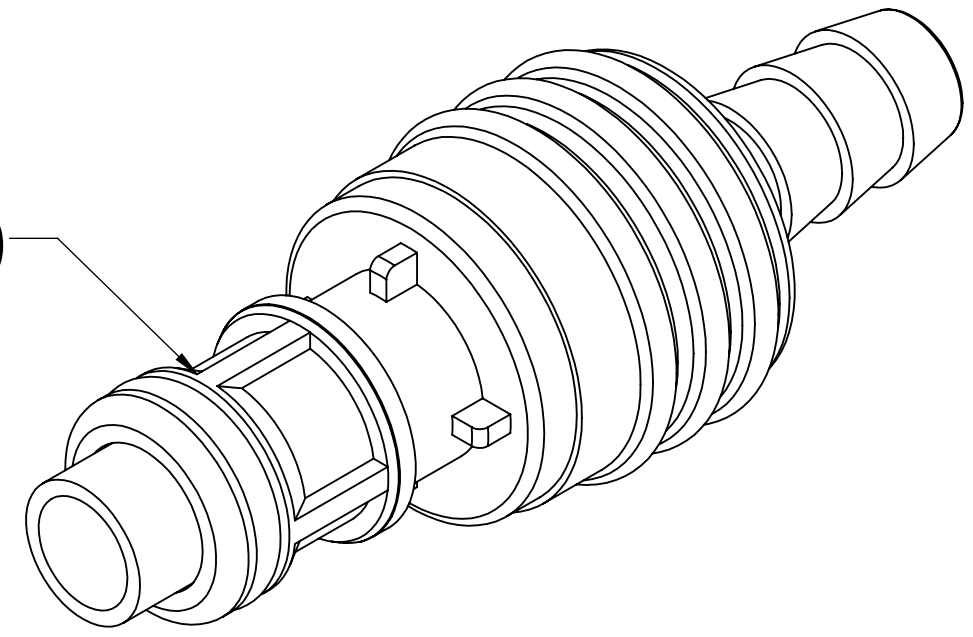
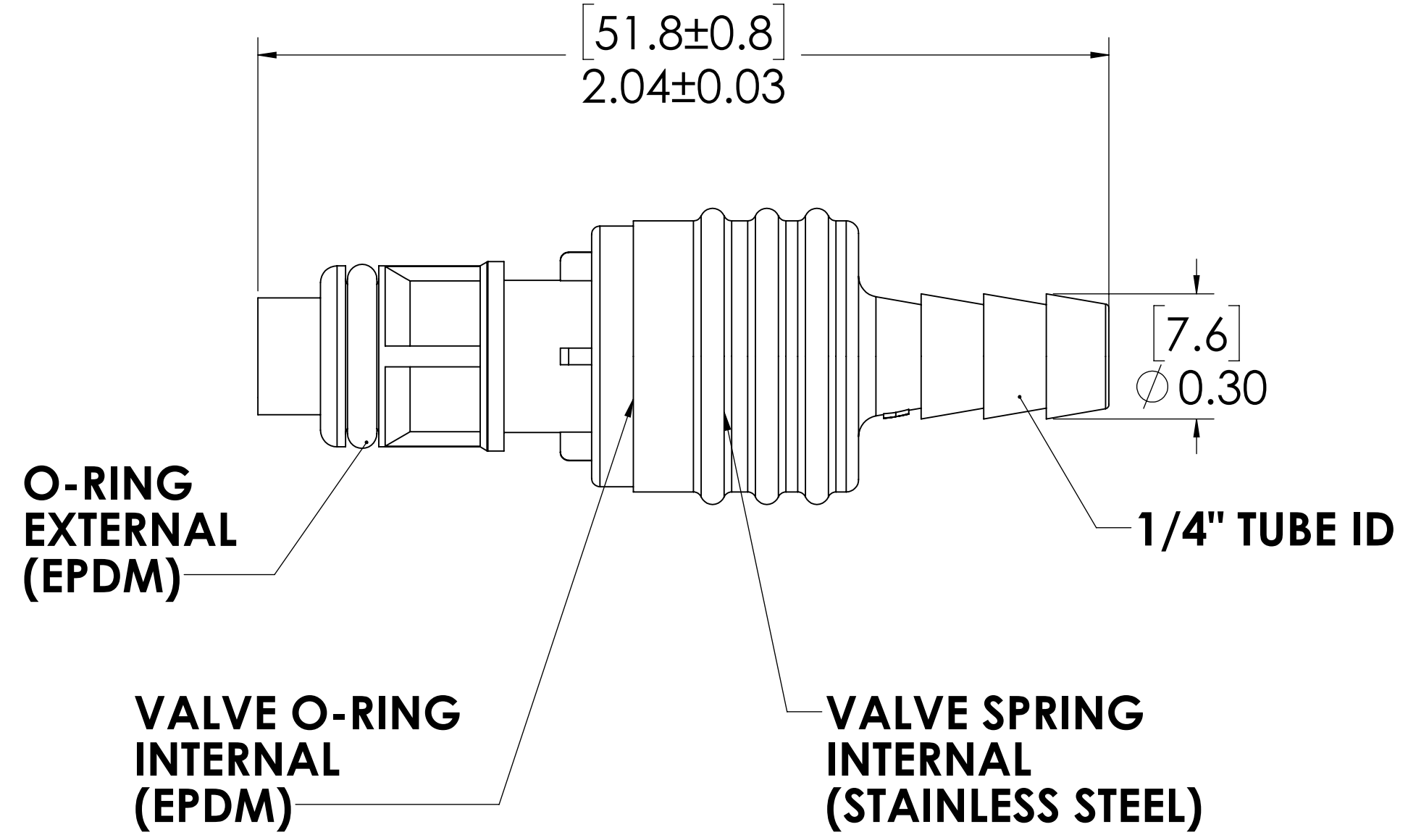


REVISIONS						
SHEET	ZONE	REV.	ECO	DESCRIPTION	DATE	APPROVED
ALL	ALL	NC	50067	INITIAL RELEASE	1/27/2014	HRC
ALL	ALL	A	50253	FORMAT UPDATE	3/29/2019	HRC

**PLUG
(POLYPROPYLENE)**



**VALVE
(POLYPROPYLENE)**



- NOTES:**
- MATERIAL: POLYPROPYLENE
 - COLOR: GRAY
 - O-RING MATERIAL: EPDM
 - O-RINGS LUBRICATED WITH FOOD GRADE SILICONE OIL, 350 CST.

FOR REFERENCE ONLY

<small>UNLESS OTHERWISE SPECIFIED: DIMENSIONS ARE IN INCHES TOLERANCES: FRACTIONAL ± 1/32 ANGULAR, MACH ± 0.5 BEND ± 2 ONE PLACE DECIMAL ± 0.1 TWO PLACE DECIMAL ± 0.01 THREE PLACE DECIMAL ± 0.005 TWO PLACE DUAL (mm) [± 0.12]</small>	DRAWN	HRC	1/27/2014	
	CHECKED	HRC	1/27/2014	
	ENG APPR.	HRC	3/29/19	
	MFG APPR.	BDB	3/29/19	
PRODUCTION	LS	3/29/19		PART NO: 50PPV-PE2-04 DESCRIPTION: LinkTech 50PP Series Straight Male, Valved, 250 HB, Polypropylene
<small>PROPRIETARY AND CONFIDENTIAL THE INFORMATION CONTAINED IN THIS DRAWING IS THE SOLE PROPERTY OF LINKTECH LLC. ANY REPRODUCTION OR DISCLOSURE IN PART OR AS A WHOLE WITHOUT THE WRITTEN PERMISSION OF LINKTECH LLC IS STRICTLY PROHIBITED.</small>				SIZE DWG. NO. REV C 50PP500037 A
SCALE: NTS			WEIGHT:	SHEET 1 OF 1