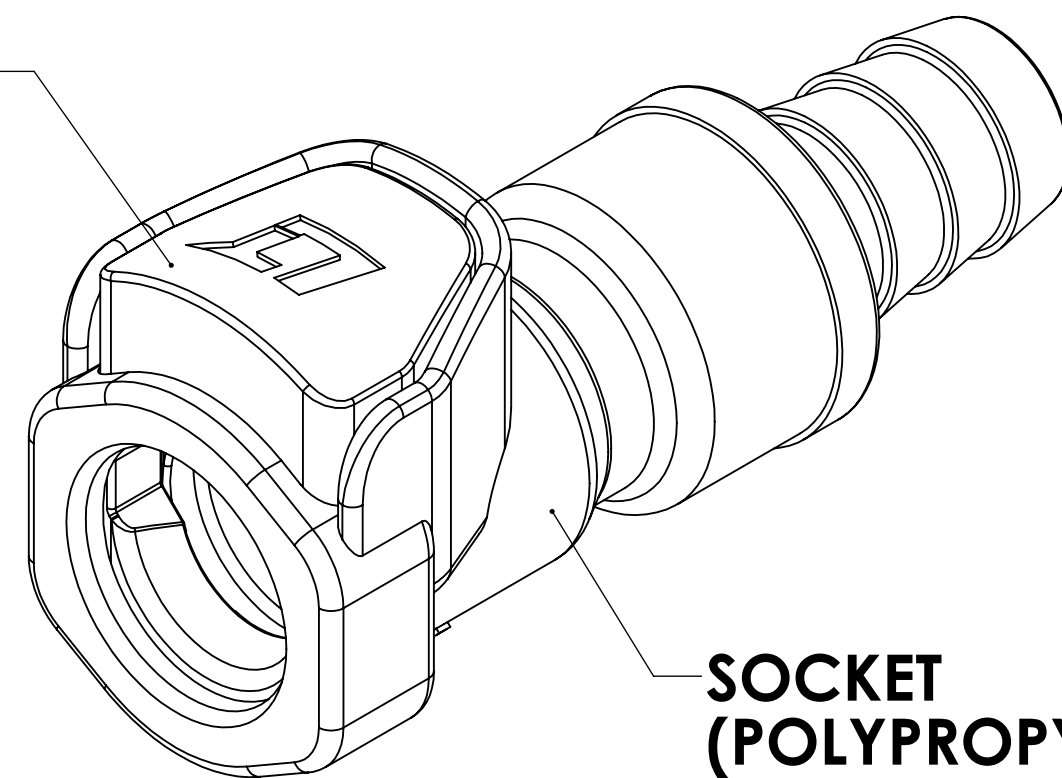
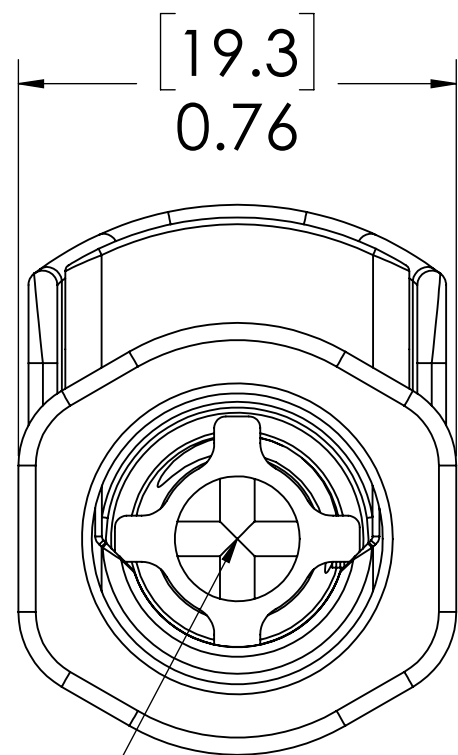


REVISIONS						
SHEET	ZONE	REV.	ECO	DESCRIPTION	DATE	APPROVED
1	ALL	NC	50085	INITIAL RELEASE	5/7/2014	HRC
1	ALL	A	50253	UPDATE DWG TO CURRENT FORMAT & STANDARDS	10/23/2018	HRC

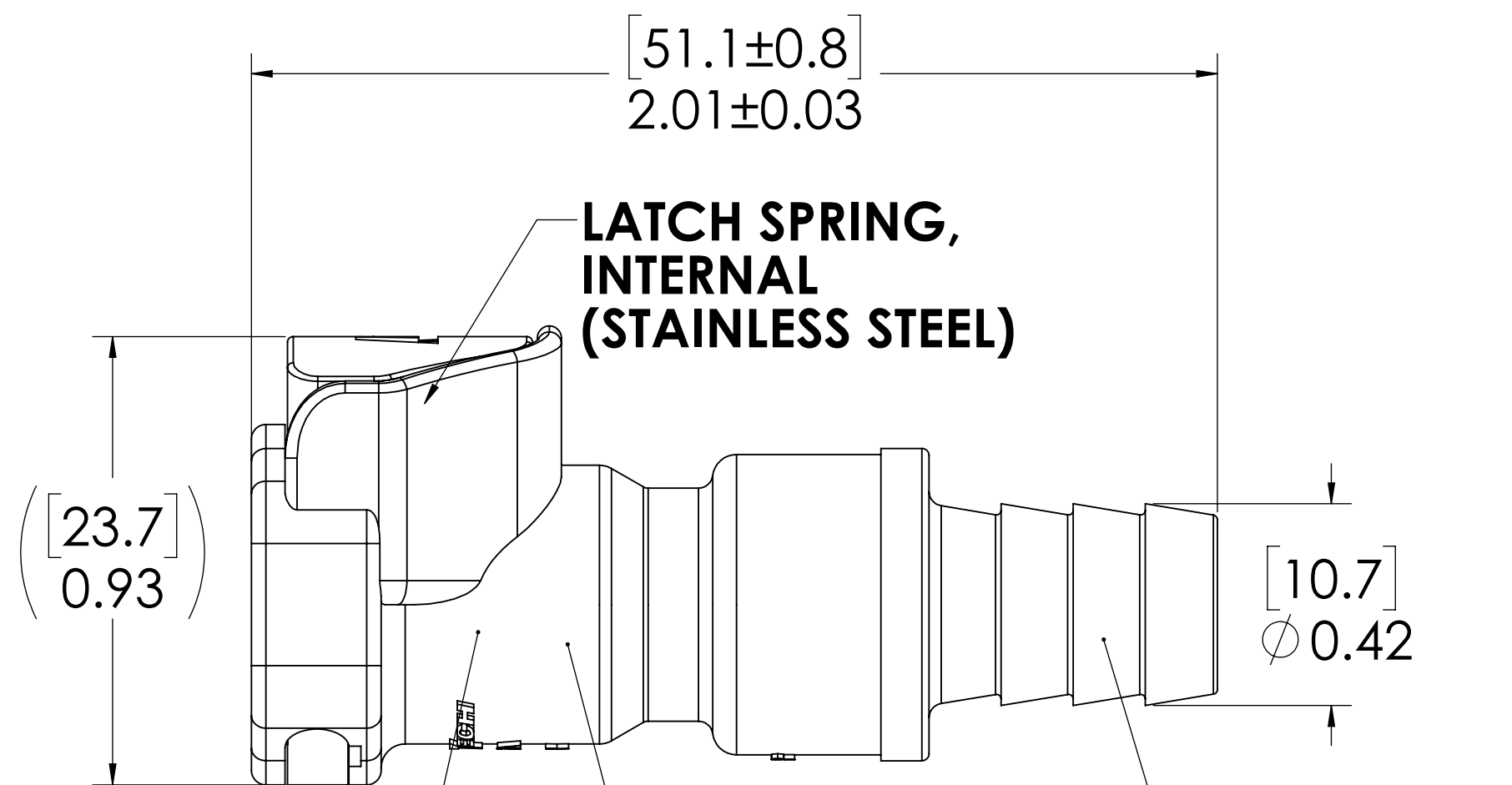
**LATCH
(POLYPROPYLENE)**



**SOCKET
(POLYPROPYLENE)**



**VALVE
(POLYPROPYLENE)**



**LATCH SPRING,
INTERNAL
(STAINLESS STEEL)**

**VALVE SPRING
INTERNAL
(STAINLESS STEEL)**


**VALVE O-RING
INTERNAL
(EPDM)**

3/8" TUBE ID

NOTES:

1. MATERIAL: POLYPROPYLENE
2. COLOR: GRAY
3. O-RING MATERIAL: EPDM
4. O-RINGS LUBRICATED WITH FOOD GRADE SILICONE OIL, 350 CST.

FOR REFERENCE ONLY

<small>UNLESS OTHERWISE SPECIFIED: DIMENSIONS ARE IN INCHES TOLERANCES: FRACTIONAL ±1/32 ANGULAR: MACH ±0.5 BEND ±2 ONE PLACE DECIMAL ±0.1 TWO PLACE DECIMAL ±0.01 THREE PLACE DECIMAL ±0.005 TWO PLACE DUAL (mm) [±0.12]</small>	DRAWN	LMP	4/16/2018	 PART NO: 50PPV-SE2-06 <small>DESCRIPTION: LinkTech 50PP Series Inline Socket Female, Valved, 3/8" HB, Polypropylene</small>
	CHECKED	HRC	4/16/2018	
	ENG APPR.	HRC	10/23/18	
	MFG APPR.	BDB	10/23/18	
PRODUCTION	LS	10/23/18		<small>SIZE DWG. NO. REV</small> C 50PP500036 A
<small>PROPRIETARY AND CONFIDENTIAL THE INFORMATION CONTAINED IN THIS DRAWING IS THE SOLE PROPERTY OF LINKTECH LLC. ANY REPRODUCTION OR DISCLOSURE IN PART OR AS A WHOLE WITHOUT THE WRITTEN PERMISSION OF LINKTECH LLC IS STRICTLY PROHIBITED.</small>			<small>COMMENTS:</small>	<small>SCALE: NTS WEIGHT: SHEET 1 OF 1</small>