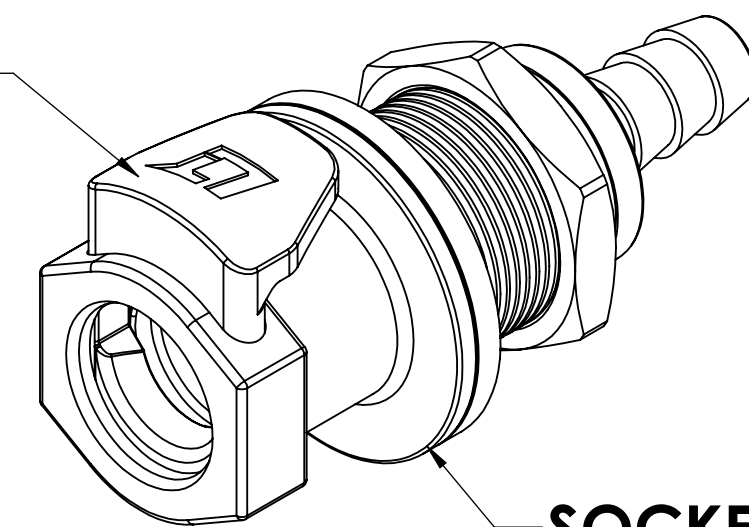
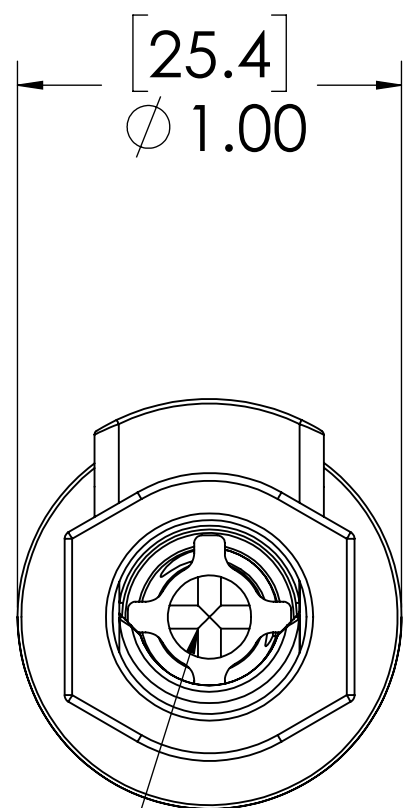


REVISIONS						
SHEET	ZONE	REV.	ECO	DESCRIPTION	DATE	APPROVED
ALL	ALL	A	50253	INITIAL RELEASE	3/29/2019	HRC

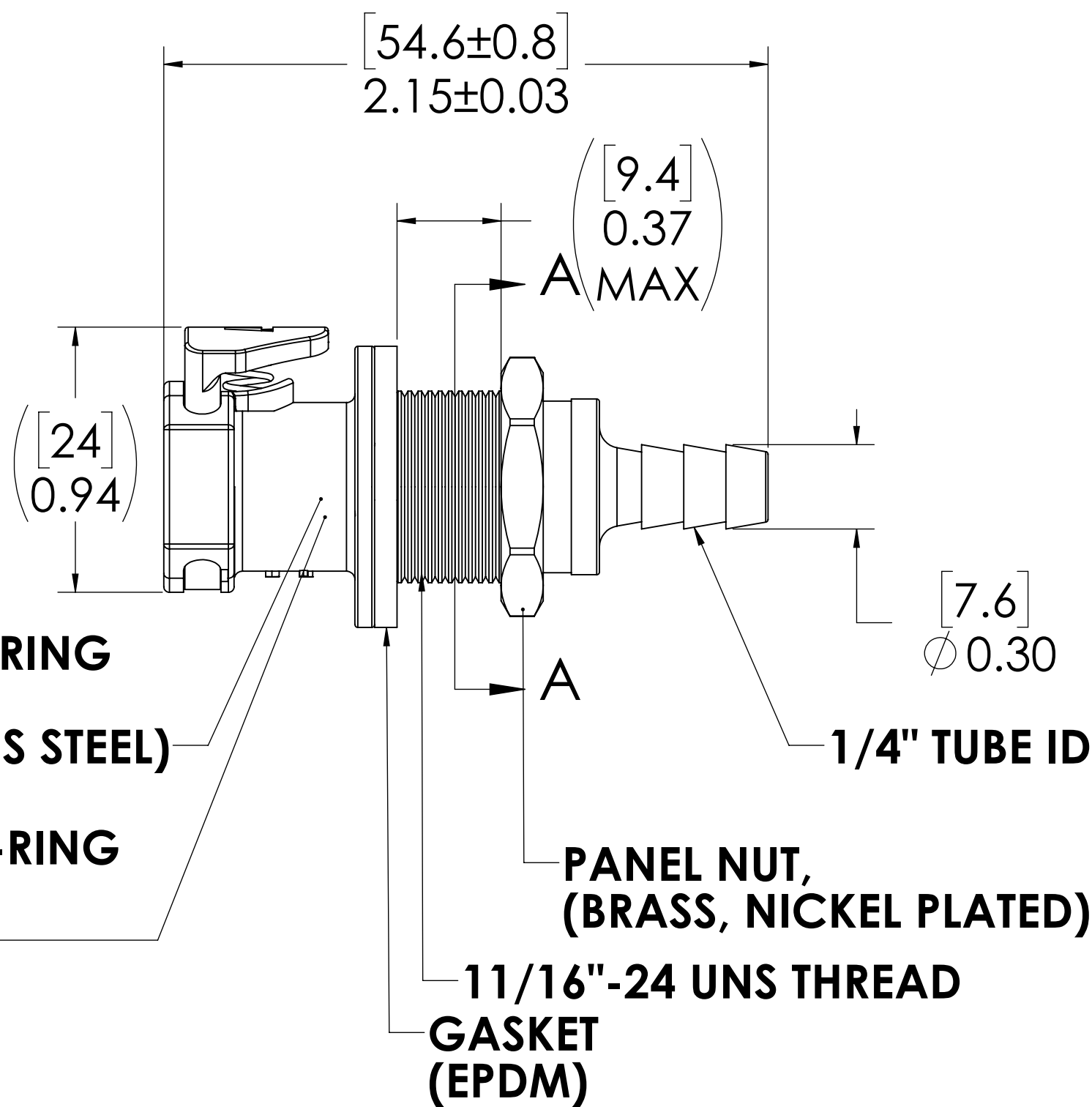
**LATCH
(POLYPROPYLENE)**



**SOCKET
(POLYPROPYLENE)**



**VALVE
(POLYPROPYLENE)**



**SECTION A-A
PANEL OPENING**

NOTES:

- MATERIAL: POLYPROPYLENE
- COLOR: GRAY
- O-RING MATERIAL: EPDM
- O-RINGS LUBRICATED WITH FOOD GRADE SILICONE OIL, 350 CST.

FOR REFERENCE ONLY

UNLESS OTHERWISE SPECIFIED:		NAME	DATE	
DIMENSIONS ARE IN INCHES		DRAWN	RDA	
TOLERANCES:		CHECKED	HRC	3/20/2019
FRACTIONAL ±1/32		ENG APPR.	HRC	3/29/19
ANGULAR: MACH ±0.5 BEND ±2		MFG APPR.	BDB	3/29/19
ONE PLACE DECIMAL ±0.1		PRODUCTION	LS	3/29/19
TWO PLACE DECIMAL ±0.01		COMMENTS:		
THREE PLACE DECIMAL ±0.005				
TWO PLACE DUAL (mm) [±0.12]				
PROPRIETARY AND CONFIDENTIAL THE INFORMATION CONTAINED IN THIS DRAWING IS THE SOLE PROPERTY OF LINKTECH LLC. ANY REPRODUCTION OR DISCLOSURE IN PART OR AS A WHOLE WITHOUT THE WRITTEN PERMISSION OF LINKTECH LLC IS STRICTLY PROHIBITED.				
PART NO: 50PPV-SE3-04				DESCRIPTION: Linktech 50PP Series Panel Mt. Female, Valved, 250 HB, Polypropylene
SIZE	DWG. NO.	REV		
C	50PP500066	A		
SCALE: NTS	WEIGHT:		SHEET 1 OF 1	