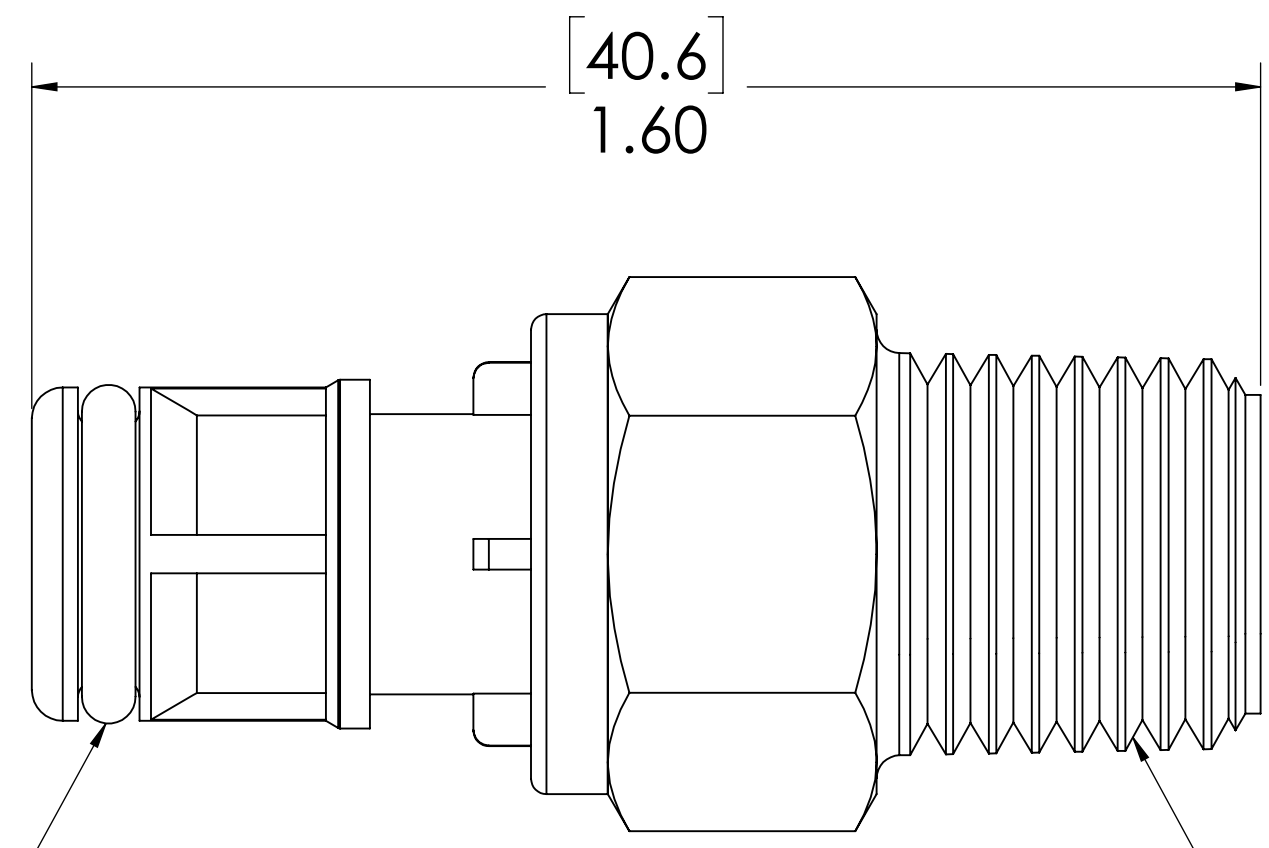
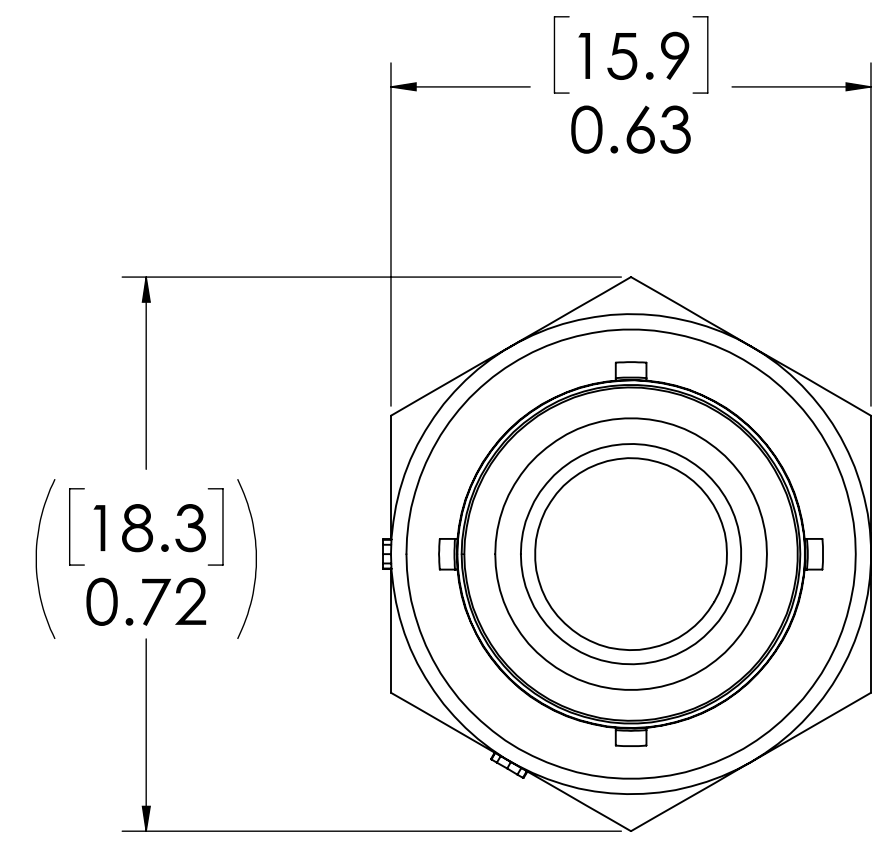
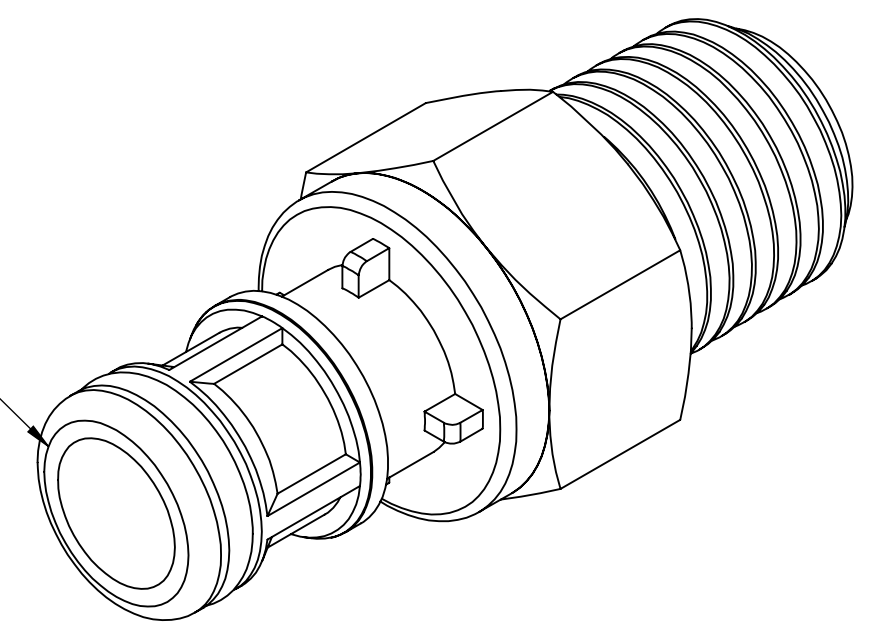


REVISIONS						
SHEET	ZONE	REV.	ECO	DESCRIPTION	DATE	APPROVED
1	ALL	A	50253	2017 FORMAT UPDATE	10/17/2017	HRC

**PLUG,
(POLYPROPYLENE)**



**O-RING,
(EPDM)**

**1/4" PTF
(PIPE THREAD)**

- NOTES:**
- MATERIAL: POLYPROPYLENE
 - COLOR: GREY
 - O-RING MATERIAL: EPDM
 - O-RINGS LUBRICATED WITH FOOD GRADE SILICONE OIL, 350 CST.

FOR REFERENCE ONLY

<small>UNLESS OTHERWISE SPECIFIED: DIMENSIONS ARE IN INCHES TOLERANCES: FRACTIONAL ± 1/32 ANGULAR, MACH ± 0.5 BEND ± 2 ONE PLACE DECIMAL ± 0.1 TWO PLACE DECIMAL ± 0.01 THREE PLACE DECIMAL ± 0.005 TWO PLACE DUAL (mm) [± 0.12]</small>	DRAWN	RDA	10/4/2017	
	CHECKED	HRC	10/4/2017	
	ENG APPR.	HRC	10/17/2017	
	MFG APPR.	BDB	10/17/2017	
<small>PROPRIETARY AND CONFIDENTIAL THE INFORMATION CONTAINED IN THIS DRAWING IS THE SOLE PROPERTY OF LINKTECH LLC. ANY REPRODUCTION OR DISCLOSURE IN PART OR AS A WHOLE WITHOUT THE WRITTEN PERMISSION OF LINKTECH LLC IS STRICTLY PROHIBITED.</small>	Q.A.	JJB	10/17/2017	PART NO: 50PPX-PE1-04 DESCRIPTION: LinkTech 50PP Series Male Thread Male, Non-valved 250 MNPT, Polypropylene
<small>COMMENTS:</small>				SIZE DWG. NO. REV C 50PP500045 A
<small>SCALE: NTS WEIGHT:</small>			<small>SHEET 1 OF 1</small>	